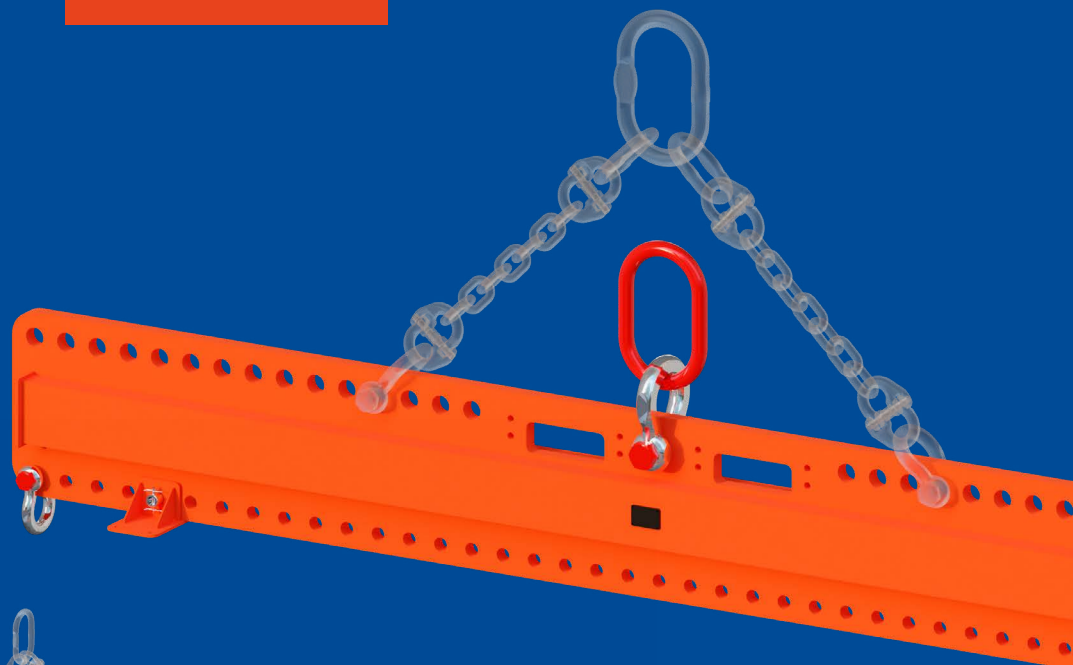




MULTI LUG BEAMS



+ CONTAINER
MULTI LUG
BEAM BMC

**YOUR TRUSTED
PARTNER FOR
HEAVY LIFTING
SOLUTIONS**





MULTI LUG BEAMS **INDEX**

page 06

**MULTI LUG BEAM
CONFIGURATION A**

page 08

**MULTI LUG BEAM
CONFIGURATION B**

page 10

**MULTI LUG CONTAINER BEAM
MAIN CHARACTERISTICS**

page 12

**MULTI LUG CONTAINER BEAM
SPECIFICATIONS**

page 13

**MULTI LUG BEAM
ACCESSORIES**

Do you need more information?

Do you need more information? Looking for an official dealer or reseller? More load tables? More images or pictures?

Check out these websites

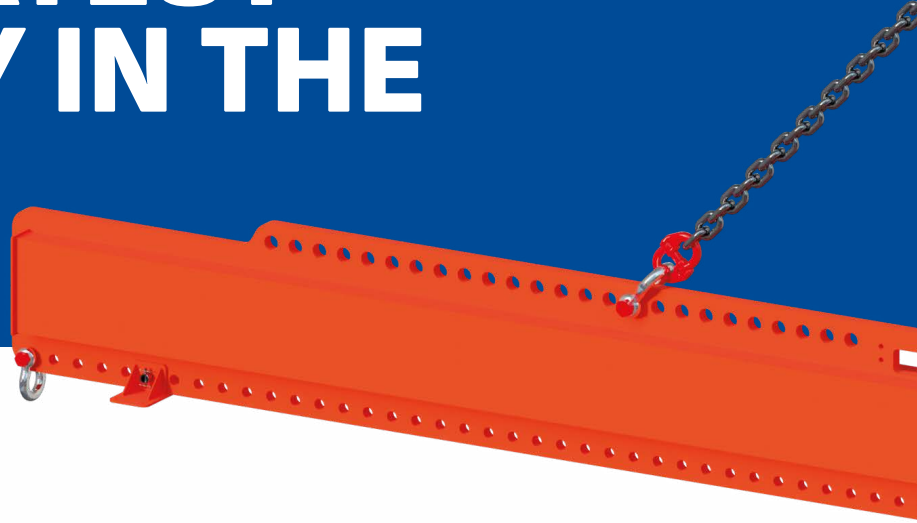
OX & RUD
Lifting Solutions
ox-rud.com

RUD KETTEN
(partner)
rud.com

CARGOFLET BLASANT
(partner)
cfblasant.com

MULTI LUG BEAMS

THE GREATEST CAPACITY IN THE MARKET



Lift any load effortlessly

The Multilug Lifting Beam has been designed for lifting in the general industry, allowing the hoisting of any longitudinal load. It comes in different models with varying lengths and capacities of 10, 15, 24, 34, 50, 70, and 110 tons respectively and lengths from 2 meters to 10,6 or 10,8 meters depending on the model.

The Multilug Lifting Beam is a versatile solution for lifting loads using a crane, as it offers multiple lifting configurations:

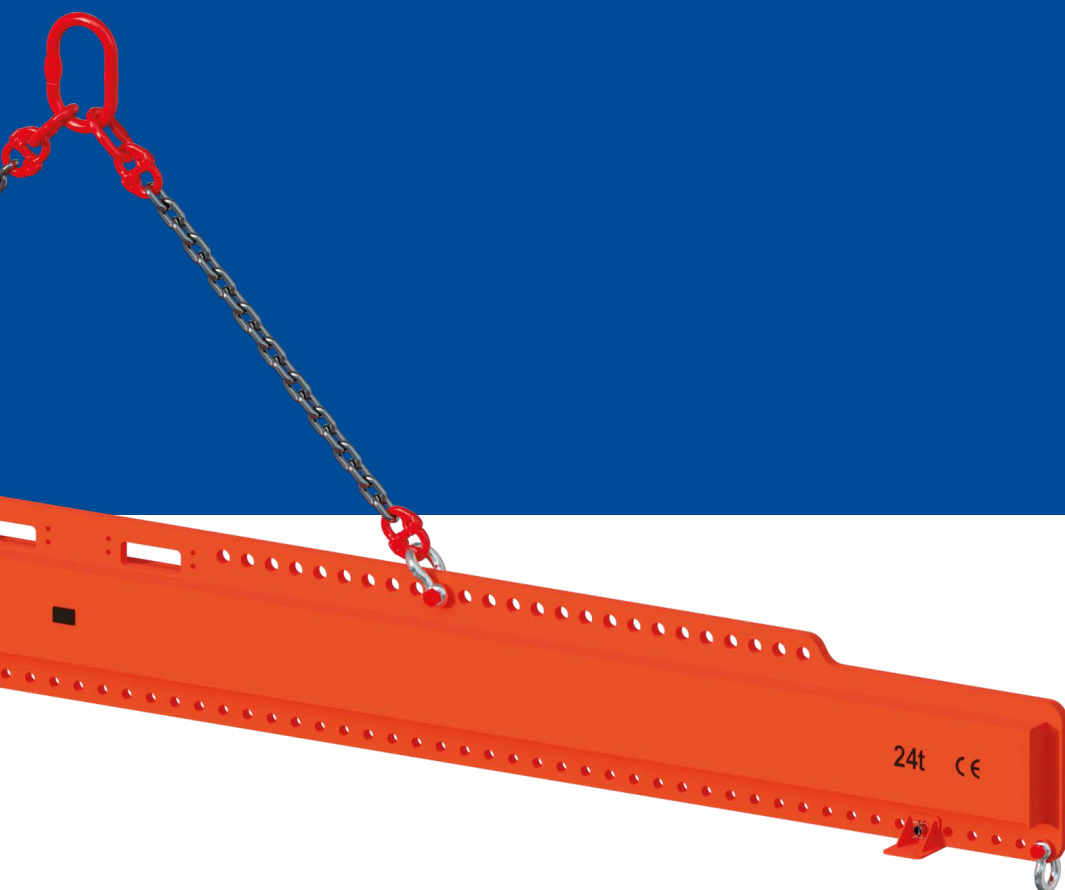
- At the top: It can be used with a central hook for single-point situations with limited height or with a two leg sling if there is sufficient height, providing greater stability. It can even be used to combine two cranes to lift loads that exceed the individual capacity of the cranes.

- At the bottom: It features a continuous pattern of holes that allows for adjusting the position of the load center with reasonable precision.

To do this you must simply move the lower hooks in the opposite direction of the deviation of the center of gravity, by finding out via trials.

Important detail: the maximum length of the lifting beam should be at least the distance between the hooking points + the maximum deviation of the center of gravity.





MATERIAL

Structural steel and high elastic limit steel, supplied with quality certificate 3.1, are used for the manufacture of the lifting beams.

FINISH

Ordinary painted in Orange RAL 2004, glossy finish with C2 corrosion category according to ISO 12944 Standard.

Upon request it can be painted in other colors and other categories such as up to C5.

IN ACCORDANCE WITH

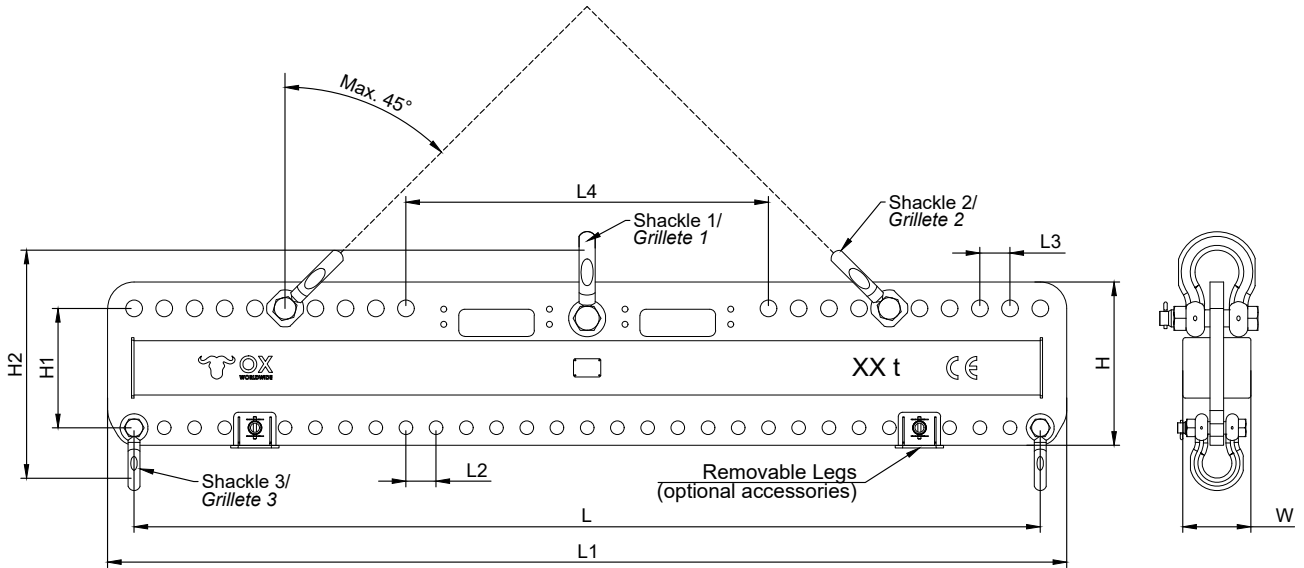
We comply with the provisions in the Directive 2006/42/EC of the European Parliament and of the Council of 17 May 2006 on machinery and it has been manufactured in accordance with the following norms:

- **EN 13155:2020.** Cranes. Safety. Non-fixed load lifting attachments.
- **EN ISO 12100: 2012.** Safety of machinery - General principles for design - Risk assessment and risk reduction 89/391/CE Health and safety framework directive at work.

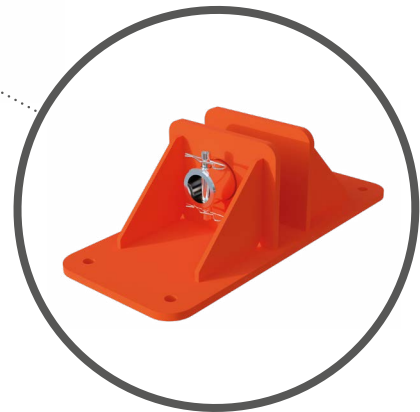


MULTI LUG BEAM BM

CONFIGURATION A



Optional support leg



MULTI LUG BEAM BM CONFIGURATION A

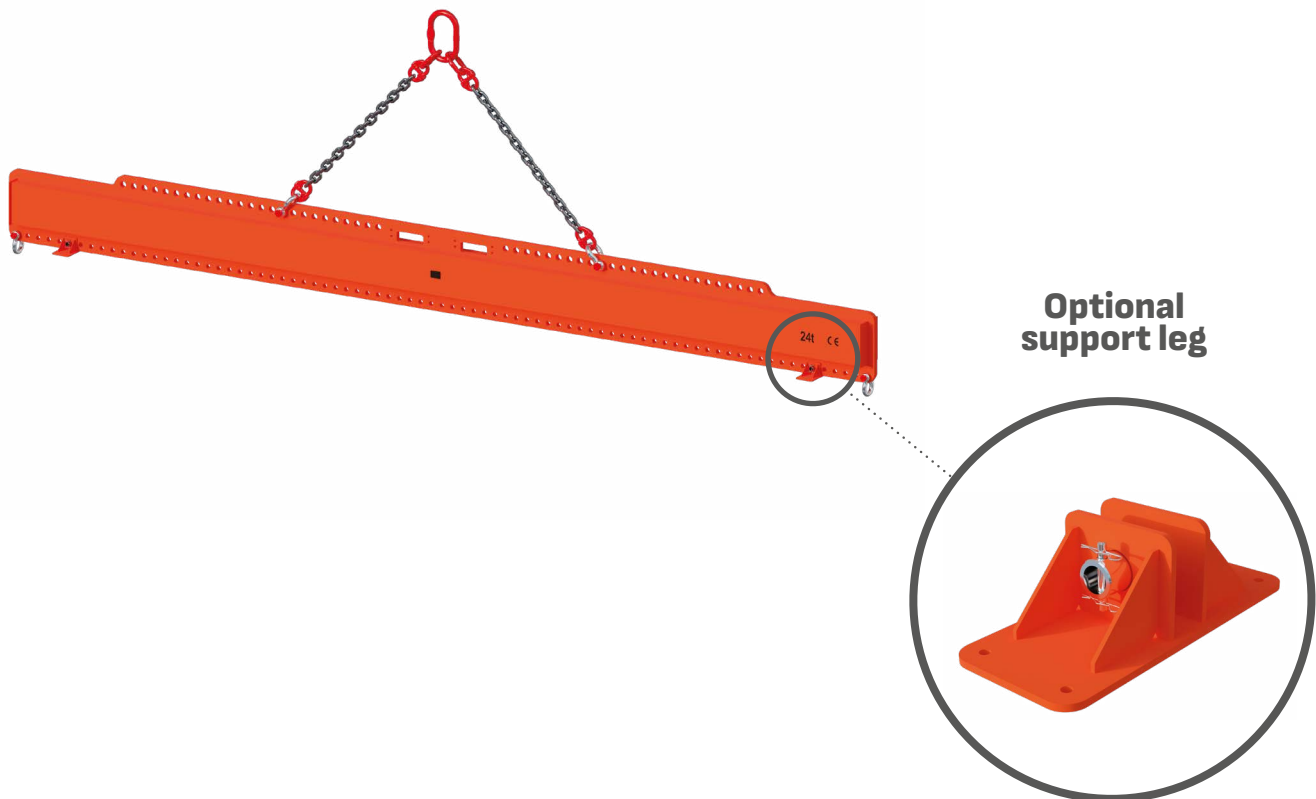
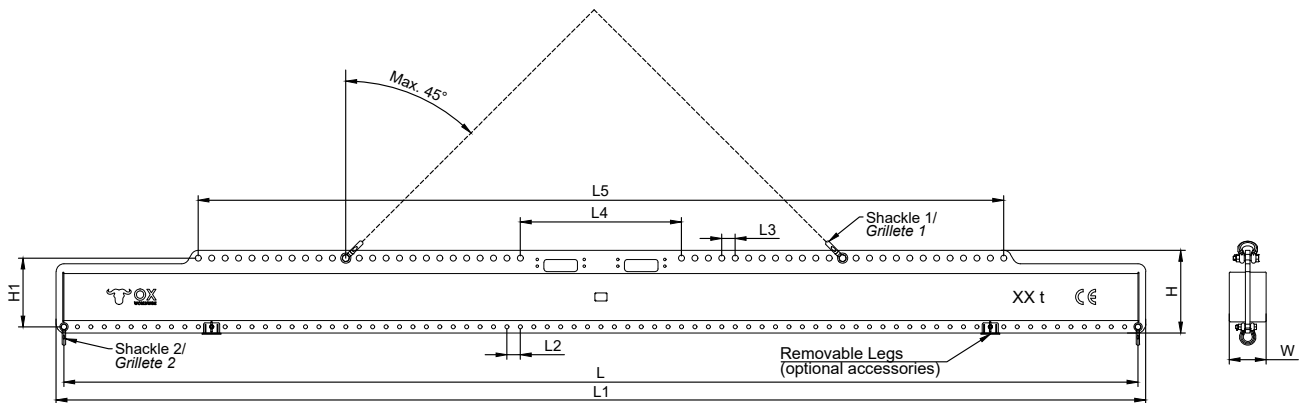
CONFIGURATION A

W.L.L.	L (mm)	CODE	L1 (mm)	L2 (mm)	L3 (mm)	L4 (mm)	H (mm)	H1 (mm)	H2 (mm)*	W (mm)	Shackle 1	Shackle 2	Shackle 3	WEIGHT (kg)**	SUPPORT LEG
10t	2000	831BM2010020	2102	100	100	1200	385	294	523	170	12t	8.5t	6.5t	172	831BMP2010020
	2400	831BM2010024	2502	100	100	1200	385	294	523	170	12t	8.5t	6.5t	205	831BMP2010020
	3000	831BM2010030	3102	100	100	1200	445	354	583	200	12t	8.5t	6.5t	340	831BMP2010020
	4000	831BM2010040	4102	100	100	1200	484	393	622	220	12t	8.5t	6.5t	535	831BMP2010020
	5000	831BM2010050	5102	100	100	1200	482	391	620	225	12t	8.5t	6.5t	758	831BMP2010025
	6000	831BM2010060	6102	100	100	1200	480	389	618	230	12t	8.5t	6.5t	1015	831BMP2010030
15t	2000	831BM2015020	2115	100	100	1200	382	280	557	185	17t	12t	8.5t	256	831BMP2015035
	2400	831BM2015024	2515	100	100	1200	382	280	557	185	17t	12t	8.5t	306	831BMP2015035
	3000	831BM2015030	3115	100	100	1200	410	308	585	185	17t	12t	8.5t	405	831BMP2015035
	4000	831BM2015040	4115	100	100	1200	450	348	625	215	17t	12t	8.5t	654	831BMP2015035
	5000	831BM2015050	5115	100	100	1200	520	418	695	215	17t	12t	8.5t	912	831BMP2015035
	6000	831BM2015060	6115	100	100	1200	530	428	705	255	17t	12t	8.5t	1304	831BMP2015035
24t	2000	831BM2024020	2145	100	100	1200	420	293	629	195	25t	17t	12t	338	831BMP2024045
	2400	831BM2024024	2545	100	100	1200	420	293	629	195	25t	17t	12t	402	831BMP2024045
	3000	831BM2024030	3145	100	100	1200	470	343	679	195	25t	17t	12t	555	831BMP2024045
	4000	831BM2024040	4145	100	100	1200	530	403	739	225	25t	17t	12t	893	831BMP2024045
	5000	831BM2024050	5145	100	100	1200	560	433	769	265	25t	17t	12t	1327	831BMP2024045
	6000	831BM2024060	6145	100	100	1200	640	513	849	265	25t	17t	12t	1762	831BMP2024045
34t	2000	831BM2034020	2175	100	100	1200	450	305	698	195	35t	25t	17t	361	831BMP2034045
	2400	831BM2034024	2575	100	100	1200	494	349	742	225	35t	25t	17t	513	831BMP2034045
	3000	831BM2034030	3175	100	100	1200	540	395	788	225	35t	25t	17t	687	831BMP2034050
	4000	831BM2034040	4175	100	100	1200	575	430	823	270	35t	25t	17t	1175	831BMP2034050
	5000	831BM2034050	5175	100	100	1200	650	505	898	270	35t	25t	17t	1613	831BMP2034050
	6000	831BM2034060	6175	100	100	1200	680	535	928	290	35t	25t	17t	1970	831BMP2034050
50t	2000	831BM2050020	2210	100	100	1200	490	308	806	210	55t	35t	25t	500	831BMP2050060
	2400	831BM2050024	2610	100	100	1200	525	343	841	210	55t	35t	25t	637	831BMP2050060
	3000	831BM2050030	3210	100	100	1200	580	398	896	240	55t	35t	25t	923	831BMP2050060
	4000	831BM2050040	4210	100	100	1200	650	468	966	280	55t	35t	25t	1484	831BMP2050060
	5000	831BM2050050	5210	100	100	1200	720	538	1036	300	55t	35t	25t	1965	831BMP2050060
	6000	831BM2050060	6210	100	100	1200	790	608	1106	300	55t	35t	25t	2535	831BMP2050060
70t	2000	831BM2070020	2269	100	200	1200	610	377	898	240	85t SUPER	55t	35t	672	831BMP2070060
	2400	831BM2070024	2669	100	200	1200	630	397	918	240	85t SUPER	55t	35t	820	831BMP2070060
	3000	831BM2070030	3269	100	200	1400	690	457	978	280	85t SUPER	55t	35t	1204	831BMP2070060
	4000	831BM2070040	4269	100	200	1200	780	547	1068	300	85t SUPER	55t	35t	1745	831BMP2070060
	5000	831BM2070050	5269	100	200	1400	875	642	1163	300	85t SUPER	55t	35t	2378	831BMP2070060
	6000	831BM2070060	6269	100	200	1200	920	687	1208	480	85t SUPER	55t	35t	3030	831BMP2070060
110t	2000	831BM2110020	2291	200	200	1200	676	413	1079	270	120t SUPER	85t SUPER	55t	1084	831BMP2110090
	2400	831BM2110024	2691	200	200	1200	676	413	1079	270	120t SUPER	85t SUPER	55t	1280	831BMP2110090
	3000	831BM2110030	3291	200	200	1400	765	502	1168	310	120t SUPER	85t SUPER	55t	1882	831BMP2110090
	4000	831BM2110040	4291	200	200	1200	846	583	1249	330	120t SUPER	85t SUPER	55t	2578	831BMP2110090
	5000	831BM2110050	5291	200	200	1400	946	683	1349	510	120t SUPER	85t SUPER	55t	3525	831BMP2110090
	6000	831BM2110060	6291	200	200	1200	1010	747	1413	510	120t SUPER	85t SUPER	55t	4465	831BMP2110090

* Approximate dimensions, dependent on accessories

** Weight without accessories

MULTI LUG BEAM BM CONFIGURATION B



MULTI LUG BEAM BM CONFIGURATION B

CONFIGURATION B

W.L.L.	L (mm)	CODE	L1 (mm)	L2 (mm)	L3 (mm)	L4 (mm)	L5 (mm)	H (mm)	H1 (mm)	W (mm)	Shackle 1	Shackle 2	WEIGHT (kg)**	SUPPORT LEG
10t	8000	831BM2010080	8102	100	100	1200	6000	550	459	250	8.5t	6.5t	1445	831BMP2010030
	10000	831BM2010100	10102	100	100	2000	6000	610	519	250	8.5t	6.5t	1920	831BMP2010030
	10800	831BM2010108	10902	100	100	2800	6000	635	544	250	8.5t	6.5t	2120	831BMP2010030
15t	8000	831BM2015080	8115	100	100	1200	6000	615	513	275	12t	8.5t	1940	831BMP2015035
	10000	831BM2015100	10115	100	100	2000	6000	630	528	275	12t	8.5t	2420	831BMP2015035
	10800	831BM2015108	10915	100	100	2800	6000	650	548	275	12t	8.5t	2655	831BMP2015035
24t	8000	831BM2024080	8145	100	100	1200	6000	700	573	285	17t	12t	2436	831BMP2024045
	10000	831BM2024100	10145	100	100	2000	6000	750	623	285	17t	12t	3168	831BMP2024045
	10800	831BM2024108	10945	100	100	2800	6000	750	623	285	17t	12t	3400	831BMP2024045
34t	8000	831BM2034080	8175	100	100	1200	6000	763	618	470	25t	17t	2875	831BMP2034050
	10000	831BM2034100	10175	100	100	2000	6000	790	645	470	25t	17t	3624	831BMP2034050
	10800	831BM2034108	10975	100	100	2800	6000	800	655	470	25t	17t	3985	831BMP2034050
50t	8000	831BM2050080	8210	100	100	1200	6000	820	638	480	35t	25t	3410	831BMP2050060
	10000	831BM2050100	10210	100	100	2000	6000	910	728	480	35t	25t	4572	831BMP2050060
	10600	831BM2050106	10810	100	100	2800	6000	915	733	480	35t	25t	4910	831BMP2050060
70t	8000	831BM2070080	8269	100	200	1200	6000	980	747	520	55t	35t	4215	831BMP2070060
	10000	831BM2070100	10269	100	200	2000	6000	1050	817	520	55t	35t	5545	831BMP2070060
	10600	831BM2070106	10869	100	200	2800	6000	1100	867	520	55t	35t	6185	831BMP2070060
110t	8000	831BM2110080	8291	200	200	1200	6000	1070	807	550	85t SUPER	55t	6135	831BMP2110090
	10000	831BM2110100	10291	200	200	2000	6000	1120	857	560	85t SUPER	55t	8570	831BMP2110100
	10600	831BM2110106	10891	200	200	3200	6000	1130	867	560	85t SUPER	55t	9075	831BMP2110100

* Approximate dimensions, dependent on accessories

** Weight without accessories

CONTAINER MULTI LUG BEAM BMC

MAIN CHARACTERISTICS

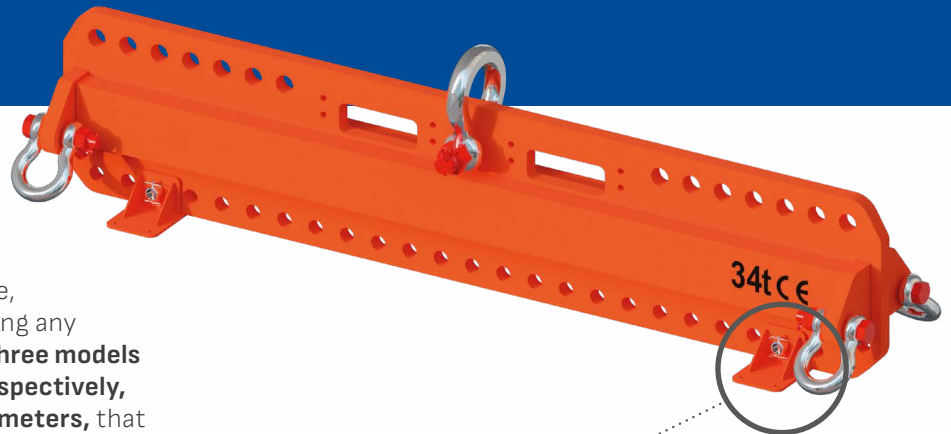
The Container Multi Lug Lifting Beam is designed for lifting ISO-668 maritime containers as well as general industry use, providing an additional solution for hoisting any other longitudinal load. **It is available in three models with capacities of 15, 24, and 34 tons respectively, all with a maximum usable length of 2.5 meters**, that allows lifting a maritime container of any size in a transverse position (20, 25, 40, 45 feet) as well as other containers, platforms... that include specific twist-lock type accommodations in their lower corners.

IMPORTANT NOTE:

ISO-668 standard sea containers with cargo can only be lifted by the lower twistlock accommodations. If you need to lift them through the upper twistlocks, you can do so with an type H lifting beam a Spreader Beam FRAME and vertical Twistlocks.

Container Multi Lug Lifting Beam for containers is conceived to facilitate the lifting of ISO-668 maritime containers of all sizes through its lower attachments. Additionally, it can function as a conventional multi-drill spreader. Hence, it offers a versatile solution for lifting loads with a crane, providing multiple lifting configurations:

- At the top: It can be used with a central single-point attachment for situations with limited heights or with a two leg sling if there is sufficient height, providing greater stability. It can even be used to combine two cranes to lift loads that exceed the individual capacity of the cranes.
- At the bottom: It features a continuous pattern of holes that allows for adjusting the position of the load center with reasonable precision. Additionally, as it is designed for lifting maritime containers, it has transverse ears slightly elevated and positioned at the width of the container, allowing for attachment and lifting using four chain-cables with a specific twistlock attachment for the container's lower side, enabling lifting the container from the base.



Optional support leg



Forklift Pocket System

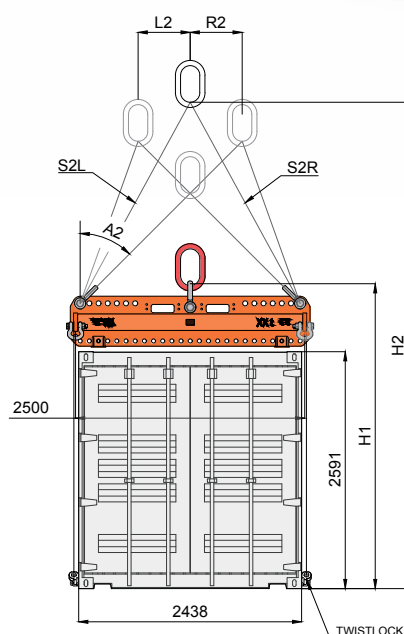
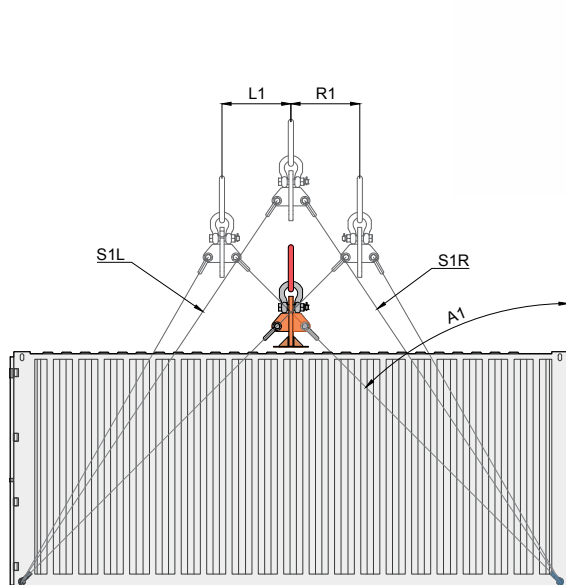


ADVANTAGES

- Versatility for lifting both ISO maritime containers and general industry loads. It provides an additional solution for hoisting any other longitudinal cargo intended for transport on a conventional truck platform, capable of lifting with oblique pulls or using two units.
- Allows adjustment of the load center both longitudinally and transversely through the supplied accessories, tailored to each specific need.
- It incorporates a Forklift Pocket system only for handling.
- Optionally equipped with additional support legs.
- Units available in stock for immediate delivery unless sold out.



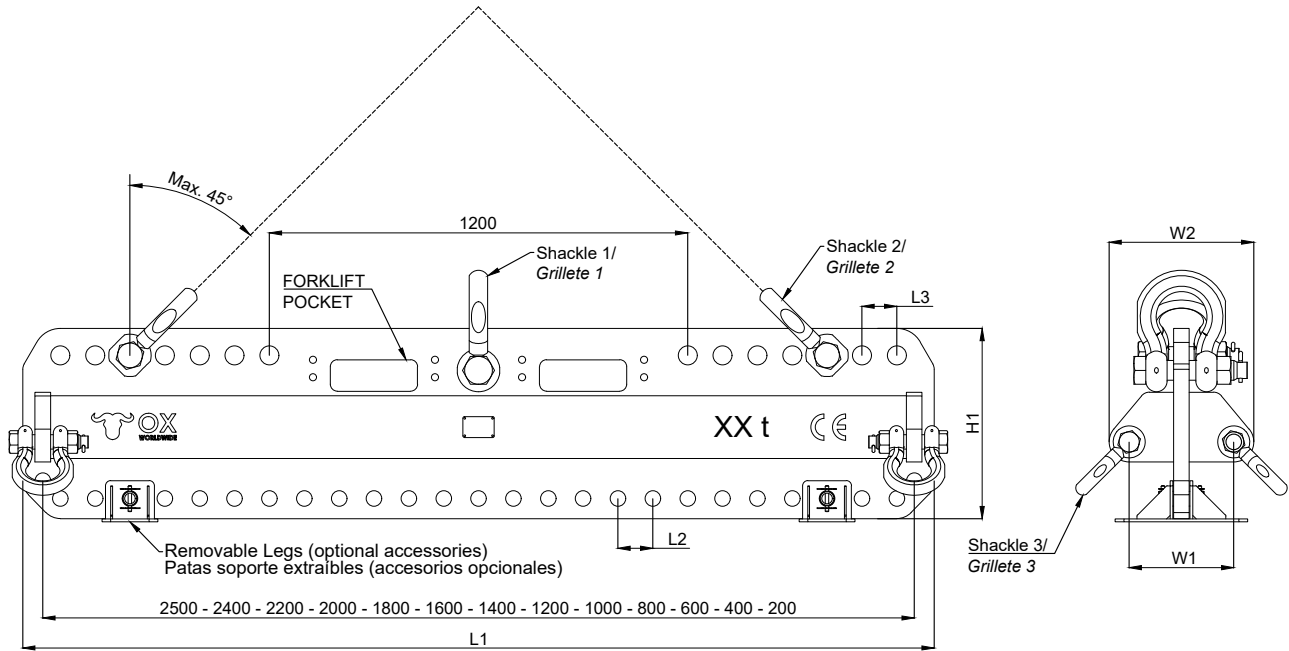
Twistlocks



Adjustment of the load's center of gravity (COG)

MULTI LUG BEAM BMC

SPECIFICATIONS

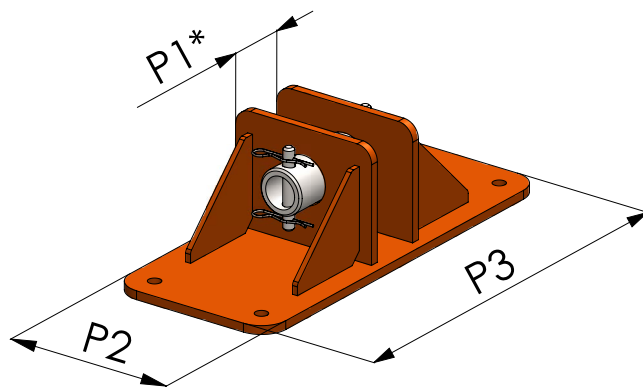


W.L.L.	L (mm)	CODE	L1 (mm)	L2 (mm)	L3 (mm)	H1 (mm)	W1 (mm)	W2 (mm)	Shackle 1	Shackle 2	Shackle 3	WEIGHT (kg)*	SUPPORT LEG
15t	2500	831BMC2015025	2590	100	100	426	300	390	17t	12t	8.5t	346	831BMP2015035
24t	2500	831BMC2024025	2610	100	100	472	300	410	25t	17t	12t	462	831BMP2024045
34t	2500	831BMC2034025	2615	100	100	546	300	410	35t	25t	17t	566	831BMP2034045

* Weight without accessories

ACCESSORIES SUPPORT LEGS

The new accessories allow the support of the Multi Lug Lifting Beam. They are removable elements, interchangeable in any of the lower holes and that do not interfere with the normal operation of the Multi Lug Lifting Beam.



CODE	P1* (mm)	P2 (mm)	P3 (mm)
831BMP2010020	20	140	300
831BMP2010025	25	140	300
831BMP2010030	30	140	300
831BMP2015035	35	140	300
831BMP2024045	45	160	380
831BMP2034045	45	160	380
831BMP2034050	50	160	380
831BMP2050060	60	240	550
831BMP2070060	60	240	550
831BMP2110090	90	240	550
831BMP2110100	100	240	550

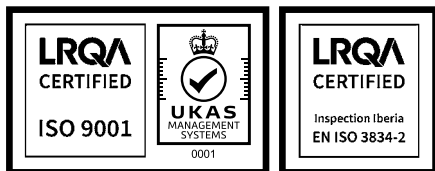
P1*: Nominal dimension, non-binding value.

OX & RUD LIFTING SOLUTIONS, S.L.

OX, as a brand of the CFB group, was created in 1993, and in 2024 we joined a huge company, RUD Ketten Rieger & Dietz GmbH u. Co. KG., with the mission of offering and bringing to all countries the best solutions for the transport and lifting of loads in a controlled and safe way in any industrial, naval, railway, wind, oil & gas, offshore, automotive, aeronautical and small industries. Now, more than ever, closer to the customer, with distributors and branches on all five continents.

At OX & RUD, engineering, experience and advice are the bases of our quality.

OX & RUD, now bigger, stronger, better.



CERTIFICATES

We have managed to manufacture and distribute machinery that meets the highest standards.

For this, it is an essential requirement to pass all quality controls, which is why we have the following certifications:

- ISO 9001:2015
- EN ISO 3834-2:2006 (Welding)

OX & RUD is Lloyd Register Quality Assurance certified, in order to comply with all regulations, standards and norms of the European Union



"Our priority is to provide effective, profitable and safe solutions, to ensure long-term business relationships, through customer satisfaction".

Emilio Blasco
Founder

**YOUR TRUSTED
PARTNER FOR
HEAVY LIFTING
SOLUTIONS**