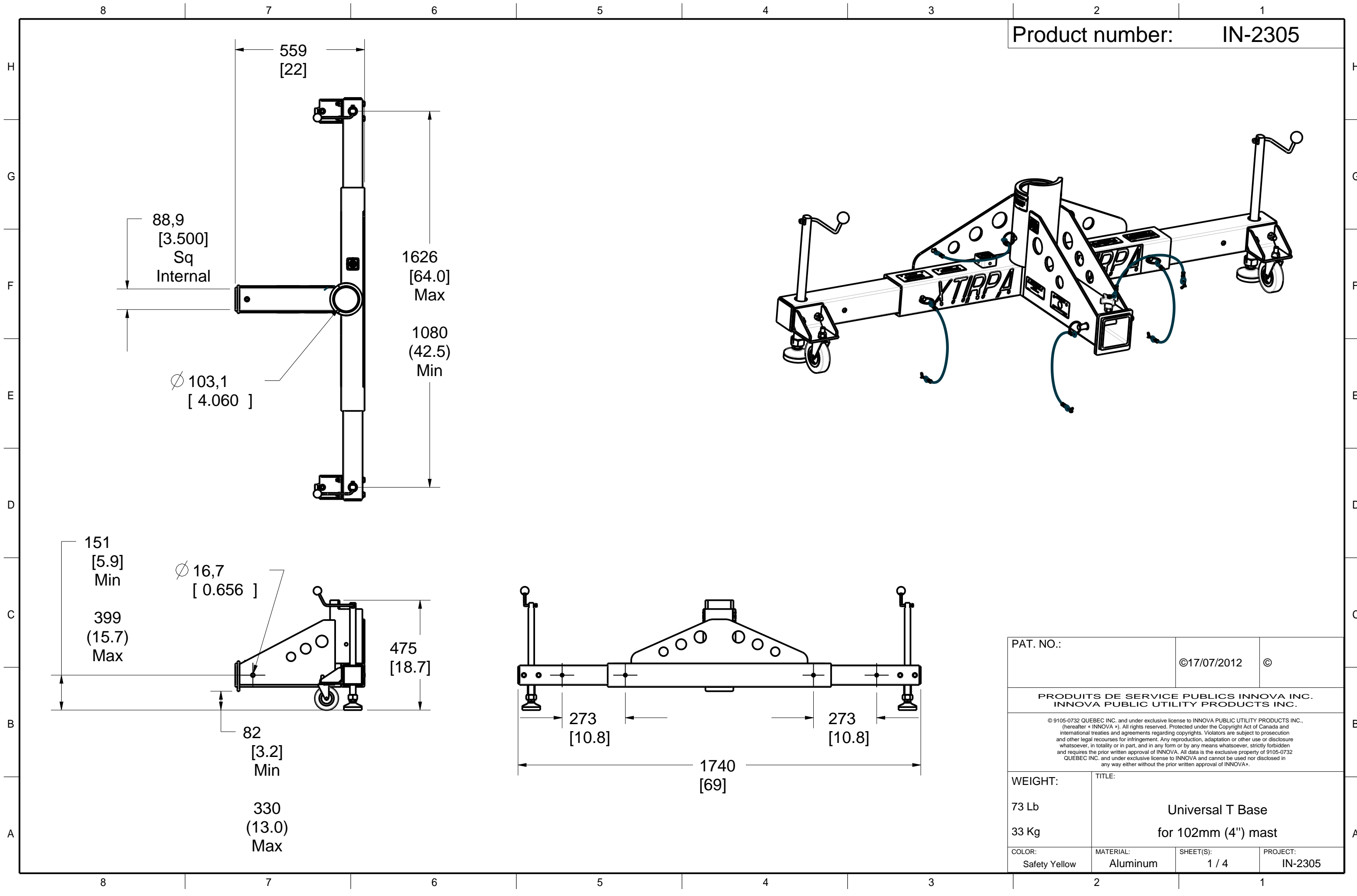
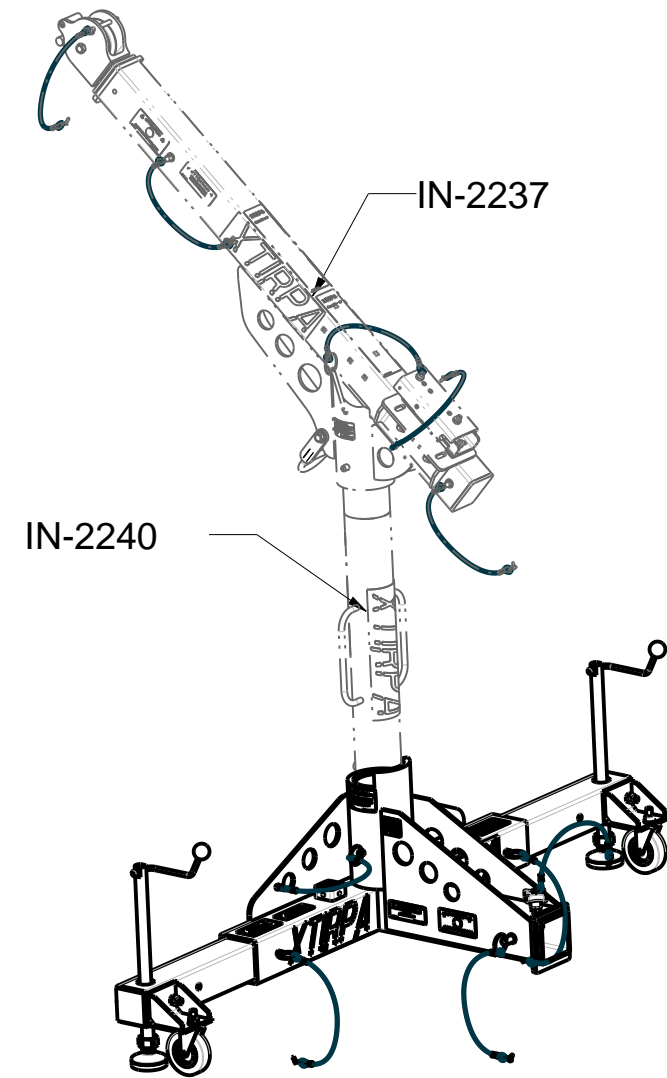
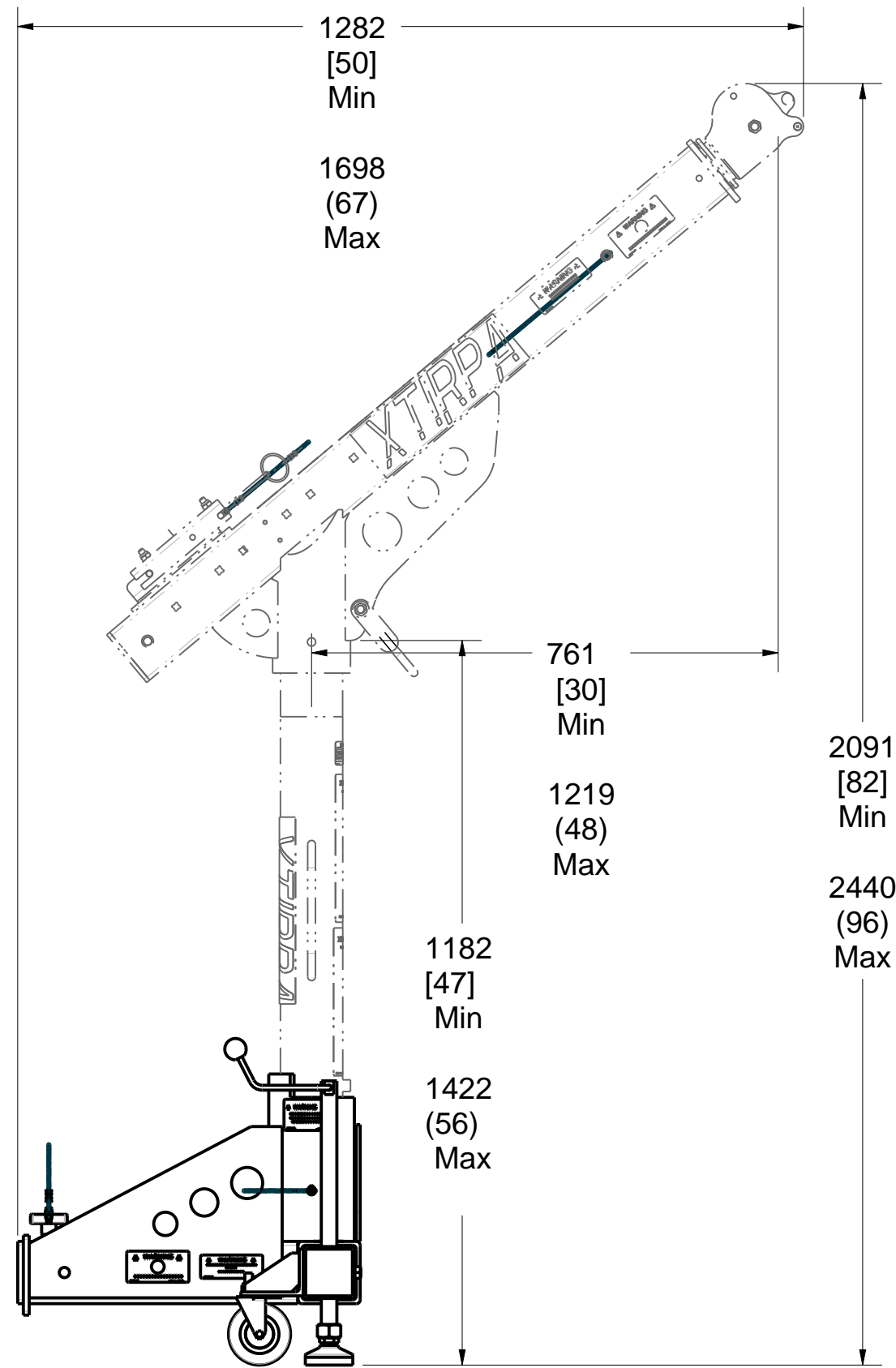


Product number: IN-2305



| | | | |
|---|---------------------|---------------|----------|
| PAT. NO.: | | ©17/07/2012 © | |
| PRODUITS DE SERVICE PUBLICS INNOVA INC. INNOVA PUBLIC UTILITY PRODUCTS INC. | | | |
| <small>© 9105-0732 QUEBEC INC. and under exclusive license to INNOVA PUBLIC UTILITY PRODUCTS INC., (hereafter « INNOVA »). All rights reserved. Protected under the Copyright Act of Canada and international treaties and agreements regarding copyrights. Violators are subject to prosecution and other legal recourses for infringement. Any reproduction, adaptation or other use or disclosure whatsoever, in totality or in part, and in any form or by any means whatsoever, strictly forbidden and requires the prior written approval of INNOVA. All data is the exclusive property of 9105-0732 QUEBEC INC. and under exclusive license to INNOVA and cannot be used nor disclosed in any way either without the prior written approval of INNOVA.</small> | | | |
| WEIGHT: | TITLE: | | |
| 73 Lb | Universal T Base | | |
| 33 Kg | for 102mm (4") mast | | |
| COLOR: | MATERIAL: | SHEET(S): | PROJECT: |
| Safety Yellow | Aluminum | 1 / 4 | IN-2305 |



| | | | |
|--|---|---------------|----------|
| PAT. NO.: | | ©17/07/2012 © | |
| <p>PRODUITS DE SERVICE PUBLICS INNOVA INC. INNOVA PUBLIC UTILITY PRODUCTS INC.</p> <p>© 9105-0732 QUEBEC INC. and under exclusive license to INNOVA PUBLIC UTILITY PRODUCTS INC., (hereafter « INNOVA »). All rights reserved. Protected under the Copyright Act of Canada and international treaties and agreements regarding copyrights. Violators are subject to prosecution and other legal recourses for infringement. Any reproduction, adaptation or other use or disclosure whatsoever, in totality or in part, and in any form or by any means whatsoever, strictly forbidden and requires the prior written approval of INNOVA. All data is the exclusive property of 9105-0732 QUEBEC INC. and under exclusive license to INNOVA and cannot be used nor disclosed in any way either without the prior written approval of INNOVA.</p> | | | |
| WEIGHT: | TITLE: | | |
| 73 Lb 33 Kg | <p>Universal T Base for 102mm (4") mast</p> | | |
| COLOR: | MATERIAL: | SHEET(S): | PROJECT: |
| Safety Yellow | Aluminum | 2 / 4 | A2305-16 |

Product number: IN-2305

SPECIFICATIONS

H This equipment is considered as part of a personal fall arrest system (PFAS) with a maximum working capacity of 164 Kg (360 lb).

It is only to be used in conjunction with a personal fall arrest system that limits the maximum arrest force (MAF).

G Working load (mass) and moment: With Mast IN-2240 & Davit Arm IN-2237: 164 kg (360 lb), 1,952 N-m (17,280 lbf-in)

Max Capacity without deformation: With mast IN-2240 & Davit Arm IN-2237: 1,6014 N (3,600 lbf), 19,520 N-m (172,800 lbf-in).

F Note: Hitch vehicle minimum weight or structure capacity :2,727kg (6,000 lb).

STANDARDS

E Meets the following standards:
 OSHA Personal fall arrest system - 1910.66 App C
 ANSI Safety requirements for personal fall arrest system, subsystems and components Z359.1 (R1999) / 2007
 CAN/CSA Fall arresters, vertical lifelines, and rails Z259.2.1-98

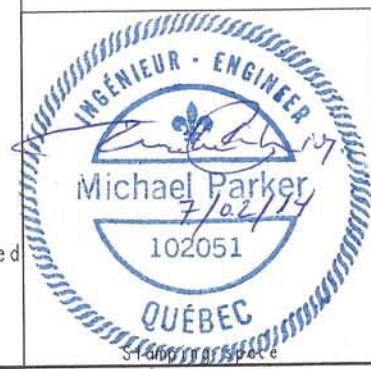
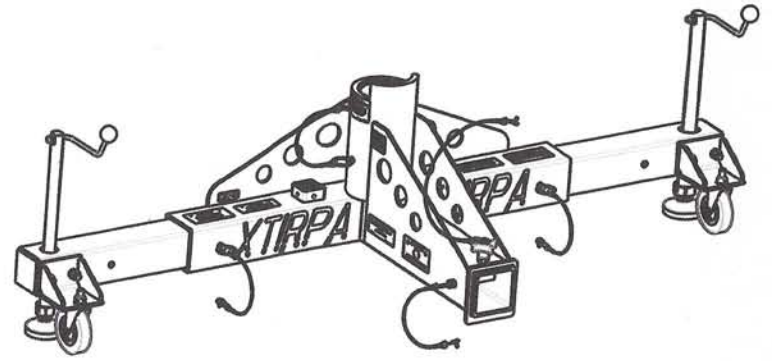
MATERIAL AND CONSTRUCTION

D Reinforcement and Structure : Aluminum 6061-T6
 Extensions : Aluminum 6061-T6
 Mast Sleeve : Aluminum 6061-T6
 Positioning levels and Hardware: Zinc Plated Steel, Stainless steel
 Finish : Yellow security powder paint with metal protection base.
 Welding certification: CSA W47,2M , CSA W47,1.

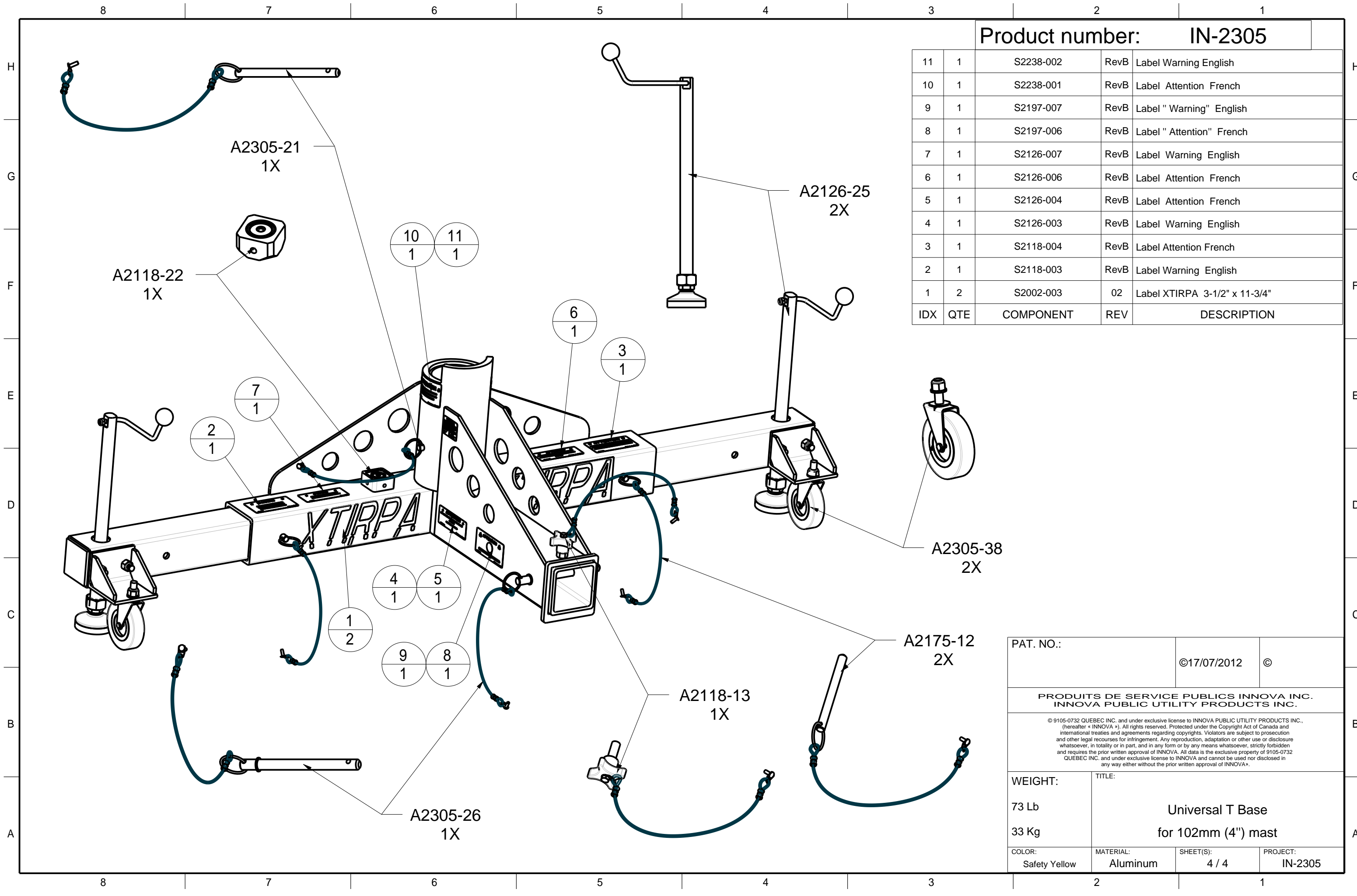
RESTRICTIONS

C **IMPORTANT :**
 This product is to be used only with products approved by Innova Public Utility Products inc.

B This product shall always be used with man rated personal fall arrest equipment and shall always be used in a levelled position.
 **The positioning pins must always be in place when manoeuvring personnel. Otherwise, serious injuries may occur.
 In the occurrence of a fall or the safety of the equipment is in doubt, equipment must be immediately removed from service and inspected by qualified personnel before reuse.
 A ** It is not permitted to use this system while casters are supporting the weight.



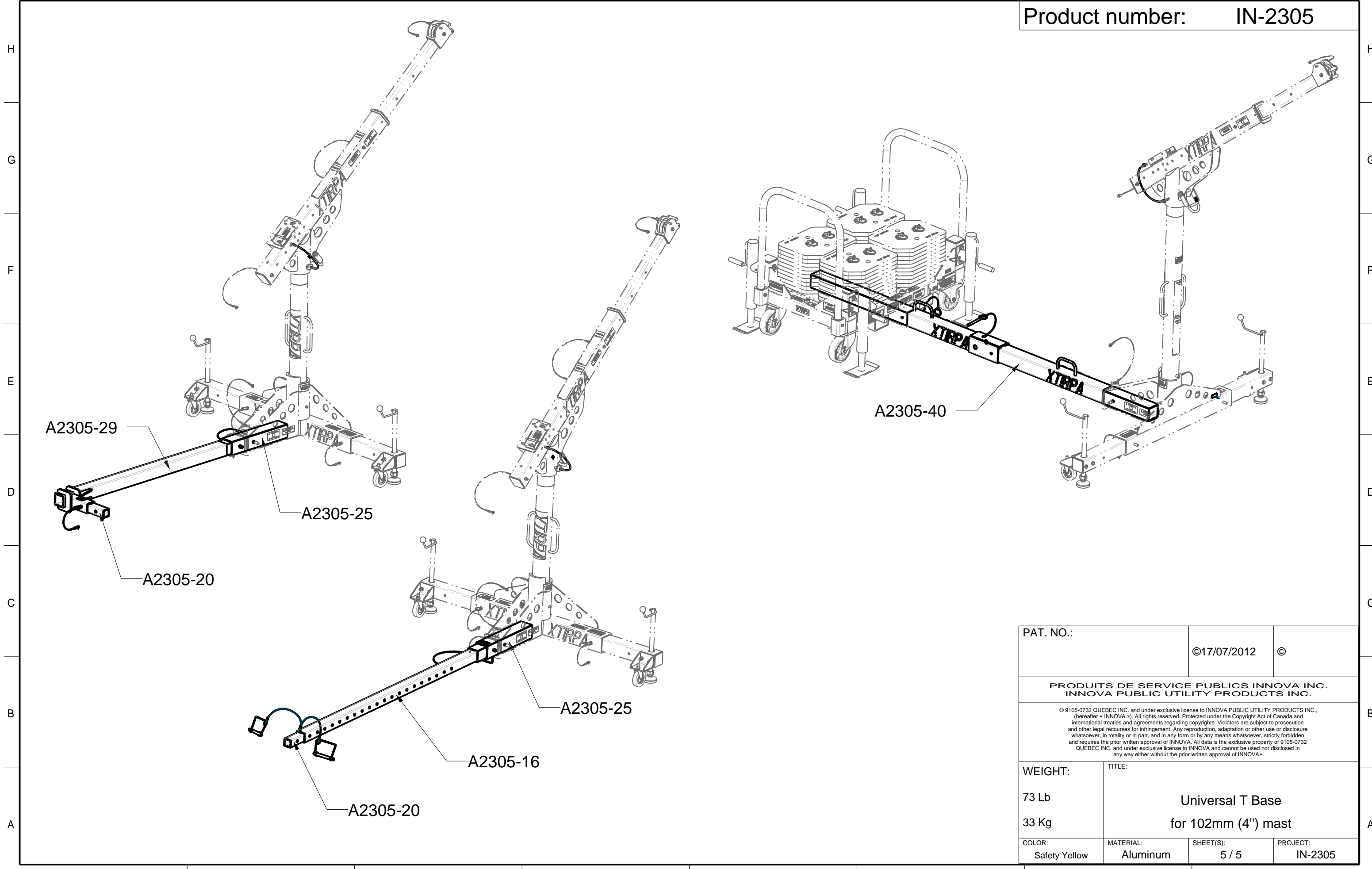
| | | | |
|---|---------------------|---------------|----------|
| PAT. NO.: | | 017/07/2012 0 | |
| PRODUITS DE SERVICE PUBLICS INNOVA INC. INNOVA PUBLIC UTILITY PRODUCTS INC. | | | |
| <small>© 9105-0132 QUEBEC INC. and under exclusive license to INNOVA PUBLIC UTILITY PRODUCTS INC. (hereafter « INNOVA »). All rights reserved. Protected under the Copyright Act of Canada and international treaties and agreements regarding copyrights. Violators etc. subject to prosecution and other legal recourse for infringement. Any reproduction, adaptation or other use or disclosure whatsoever, in whole or in part, and in any form or by any means whatsoever, strictly forbidden and requires the prior written approval of INNOVA. All data is the exclusive property of 9105-0132 QUEBEC INC. and under exclusive license to INNOVA and cannot be used nor disclosed in any way either without the prior written approval of INNOVA.</small> | | | |
| WEIGHT: | TITLE: | | |
| 73 Lb | Universal T Base | | |
| 33 Kg | for 102mm (4") mast | | |
| COLOR: | MATERIAL: | SHEET(S): | PROJECT: |
| Safety Yellow | Aluminum | 3 / 4 | IN-2305 |



Product number: **IN-2305**

| IDX | QTE | COMPONENT | REV | DESCRIPTION |
|-----|-----|-----------|------|-------------------------------|
| 11 | 1 | S2238-002 | RevB | Label Warning English |
| 10 | 1 | S2238-001 | RevB | Label Attention French |
| 9 | 1 | S2197-007 | RevB | Label " Warning" English |
| 8 | 1 | S2197-006 | RevB | Label " Attention" French |
| 7 | 1 | S2126-007 | RevB | Label Warning English |
| 6 | 1 | S2126-006 | RevB | Label Attention French |
| 5 | 1 | S2126-004 | RevB | Label Attention French |
| 4 | 1 | S2126-003 | RevB | Label Warning English |
| 3 | 1 | S2118-004 | RevB | Label Attention French |
| 2 | 1 | S2118-003 | RevB | Label Warning English |
| 1 | 2 | S2002-003 | 02 | Label XTIRPA 3-1/2" x 11-3/4" |

| | | | |
|---|---|---------------|-----------|
| PAT. NO.: | | ©17/07/2012 © | |
| PRODUITS DE SERVICE PUBLICS INNOVA INC. INNOVA PUBLIC UTILITY PRODUCTS INC. | | | |
| <small>© 9105-0732 QUEBEC INC. and under exclusive license to INNOVA PUBLIC UTILITY PRODUCTS INC., (hereafter « INNOVA »). All rights reserved. Protected under the Copyright Act of Canada and international treaties and agreements regarding copyrights. Violators are subject to prosecution and other legal recourses for infringement. Any reproduction, adaptation or other use or disclosure whatsoever, in totality or in part, and in any form or by any means whatsoever, strictly forbidden and requires the prior written approval of INNOVA. All data is the exclusive property of 9105-0732 QUEBEC INC. and under exclusive license to INNOVA and cannot be used nor disclosed in any way either without the prior written approval of INNOVA.</small> | | | |
| WEIGHT: | TITLE: | | |
| 73 Lb | Universal T Base for 102mm (4") mast | | |
| 33 Kg | COLOR: | MATERIAL: | SHEET(S): |
| | Safety Yellow | Aluminum | 4 / 4 |
| | | | PROJECT: |
| | | | IN-2305 |



| | | | |
|---|---|---------------|----------|
| PAT. NO.: | | ©17/07/2012 © | |
| PRODUITS DE SERVICE PUBLICS INNOVA INC. INNOVA PUBLIC UTILITY PRODUCTS INC. | | | |
| <small>© 9105-0732 QUEBEC INC. and under exclusive license to INNOVA PUBLIC UTILITY PRODUCTS INC., (hereafter « INNOVA »). All rights reserved. Protected under the Copyright Act of Canada and international treaties and agreements regarding copyrights. Violators are subject to prosecution and other legal recourses for infringement. Any reproduction, adaptation or other use or disclosure whatsoever, in totality or in part, and in any form or by any means whatsoever, strictly forbidden and requires the prior written approval of INNOVA. All data is the exclusive property of 9105-0732 QUEBEC INC. and under exclusive license to INNOVA and cannot be used nor disclosed in any way either without the prior written approval of INNOVA.</small> | | | |
| WEIGHT: | TITLE: | | |
| 73 Lb | Universal T Base for 102mm (4") mast | | |
| 33 Kg | | | |
| COLOR: | MATERIAL: | SHEET(S): | PROJECT: |
| Safety Yellow | Aluminum | 5 / 5 | IN-2305 |