

Manufacturer of **Ron Crane Scales** | Single Point Wired and Wireless Load Monitoring

45
Years

OF MEASURING
EXCELLENCE



Letter from the President	4
Company Profile	5
The Importance of Accurate Load Monitoring	6
Advantages	6
Dynamometers	8
Crane Scales	16
Crane Scales with Remote Display	20
Overload Detectors	28
Load Cells with Built in Amplifier	32
Multi Load Cells Systems	34
Applications & Customers	36

Celebrating **45** years of measuring excellence



Celebrating 45 years of assuring optimal safety for advanced Load Monitoring and our unique Overload Prevention systems under our renowned trade names of **Ron Crane Scales™** for industry in general and **Ron StageMaster™** geared towards the entertainment industry.

At Eilon Engineering, we pride ourselves on being an independent, family run company. Our greatest asset is our hand-picked team of highly professional and knowledgeable individuals. Through hard work, passion and dedication to our long term vision of unwavering commitment to safety and quality - they continuously improve our technology and maintain our reputation as a world leader in the field of load monitoring and safety.

In 1993 we pioneered the incorporation of wireless communication into our systems for easy and swiftly accessible load cell readings. We keep abreast of this constantly developing technology and bring on board all the most sophisticated advances.

I would like to take this opportunity to express my appreciation to all our loyal users who span the globe - from small companies to Fortune 500 corporations such as NASA, SpaceX, Boeing, GE, Siemens and many others. We look forward to continuing to serve you and your company's needs and implement ever more innovative methods to enhance the safety of all your lifting and rigging activities.

Sincerely,

Eitan Eilon - President

About **Eilon Engineering**

For the last 45 years Eilon Engineering has specialized in the development and manufacture of Ron Crane Scales™ dynamometers and load cells - all innovative, state-of-the-art products incorporating the latest technologies. Ron Crane Scales™ has become renowned as a global market leader, with a wide-spread international reputation for excellence.

An uncompromising attitude towards safety, exceptionally high quality, reliability, and the introduction of unique features (extremely long battery life, compact dimensions, wireless communication and more), has brought thousands of repeat customers, including corporate giants such as NASA, SpaceX, Boeing, GE, Siemens and many other large, medium sized and even small companies.

In 2005 Eilon Engineering decided to harness its extensive knowledge in advanced wireless communication together with its proven load cell technology to develop an **advanced multi-point load monitoring and overload prevention system**. This breakthrough launched the Ron StageMaster™ system, which quickly gained international recognition as well as earning it innovation awards at both LDI and PLASA.

Ron StageMaster™ is not only widely used all around the globe for stage applications, but also for complex, heavy lifting tasks where **load monitoring of multiple lifting points** is crucial.

Our company philosophy is commitment to the following principles:

- To continuously strive to achieve and maintain the highest possible standards of safety and quality
- To retain our position as Technological leaders in the arena of Load Monitoring and Overload Prevention - through intensive, ongoing R&D
- To innovate ever more unique systems with an emphasis on usability and comfort
- To guarantee our staunch commitment to customer service excellence and quick response times to all inquiries

All our products are manufactured in accordance with internationally recognized standards under our ISO 9001 quality approved registration.

The importance of **load monitoring**:

Crane scales, dynamometers and all other load monitoring devices are critically important for a number of reasons - first and foremost is safety:

Safety: Any time a load is lifted, the potential for overload exists. Accurate measurement is paramount in the prevention of dangerous overloads. Even when it is assumed that load parameters are known, dangerous overloads can still occur.

Here are a few scenarios:

- Attempting to lift equipment which has not been freed from its anchor points
- Miscommunication between personnel responsible for lifting
- Addition of equipment after the load has been calculated and approved
- Off-center loading
- Uneven load distribution when using multiple lifting points can potentially cause accidental overload, Even if the lifted item's weight does not exceed the total load limitation.

Efficiency and cost reduction: In addition to safety, load monitoring can both increase efficiency and reduce costs:

- Precise weighing of incoming raw materials and outgoing shipments provides important data for inventory control
- Streamlining of manufacturing processes: every time a lift is performed, weight can be accurately measured
- Foundries can use load monitoring to carefully control the addition of "small additives", thereby preventing waste and affording the foundry greater control over the composition of their metal. Ladle load monitoring can show if there is still enough melted material left for an additional casting.

Ron Crane Scales **advantages**:

- Lightweight and portable
- Heavy duty designs with shock-absorbing mechanisms
- The exclusive use of high grade aerospace steel for load cell bodies
- Shackle holes offset 90 degrees to eliminate bending of the load cell - results in increased safety and accuracy
- Battery life of up to 2000 hours using common alkaline batteries (optional: up to 4000 hours on the wireless Ron 2501)
- Compact dimensions ensure minimal loss of headroom
- Short delivery time - in most cases 48-72 hours
- Reliable transmissions: Our wireless systems are programmed to ensure that the displayed value is identical to that transmitted
- Four decades in the market with repeat customers such as NASA, SpaceX, Boeing, GE, Lockheed Martin, as well as numerous other customers



SAFETY
ABOVE
ALL

“Our uncompromising commitment to safety & quality enables us to continuously innovate and lead the Load Monitoring & Overload Prevention arena..”

Eitan Eilon - President

Load Monitoring - Dynamometers

Ron 2501 Shackle Type Wireless Dynamometer

ADVANTAGES



5 year warranty

Portable: Lightweight and small. Available with Pelican™ carrying case.

Highly Accurate: $\pm 0.1\%$ of full range - important for early overload detection.

Long transmission Range: Up to 150m/yds. Up to 3.2 Km / 2 Miles upon request (outdoor, line of sight)

Excellent battery life: Up to 2000 Hours (2x AA batteries). Optional 4000h.

Quality Materials: Exclusive use of high strength aerospace quality steel for load cell bodies.

Fatigue rated: All Eilon Engineering load cells are Fatigue Rated according to ASME BTH-1 and IEC 61508. Fatigue Rated means an unlimited number of load cycles (Provided capacity is not exceeded).

Robust: Heavy duty designs with shock absorbing mechanisms.

Unique: Shackle holes offset 90 degrees reduce external moments for greater safety and accuracy.

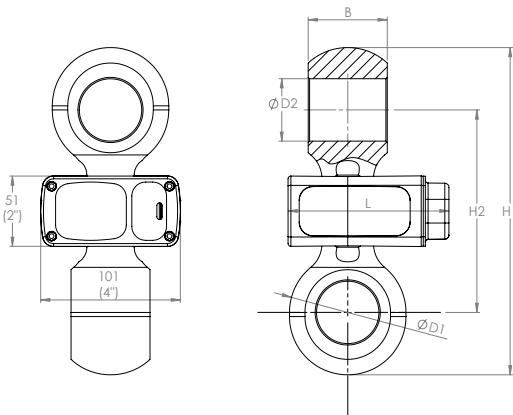
Minimal Headroom loss: Smallest on the market - important for indoor applications.

Multi-point: Up to 200 different load cells controlled by a single receiver and all measurements are presented on one screen as a real time load map.

Advanced options: Auto/Manual Data Logger, RS232, Additional Displays.

Short delivery time: In most cases 48-72 hours.

More than 45 years in the market with repeat customers such as NASA, Boeing, Cirque du Soleil, Disney, GE, Lockheed Martin, other Fortune 500 companies, as well as numerous small businesses.



TECHNICAL SPECIFICATIONS



Safety factor: 5:1

Accuracy: 0.1% of full range.

Transmission Range: Up to 150m/yds. Up to 3.2 Km / 2 Miles upon request (outdoor, line of sight).

Calibration: User calibration. Initial factory calibration, fully traceable (certified).

Load Cell Material: high-strength, aerospace quality, alloy steel, polyurethane coated.

Proof Load: Each system proof-loaded to 200% of capacity (certified) up to a test force of 400t.

Display: 6 digits, 1/2" (12mm) liquid crystal display. Overload warnings (100%/130%), low battery indication, Gross/Net. Refresh rate 1Hz.

Sampling Rate: 200 per second.

Functions: Zero, Tare, Battery level indication, Low battery warning, Max. (peak hold).

Units: User selectable units (metric tons, short tons, kgs., lbs., Newtons, Deca-Newtons, Kilo-Newtons).

Indicator/Load Cell Housing: High quality ABS.

Temperature Range:

Load cell: -15°F to $+175^{\circ}\text{F}$ (-25°C to $+80^{\circ}\text{C}$)

Indicator: -4°F to $+158^{\circ}\text{F}$ (-20°C to $+70^{\circ}\text{C}$)

Environmental:

Load Cell: IP67

Indicator: IP65



Wireless

Shackles not included

Cat no.	Full range		Resolution			Load Cell weight		H1 (max.)		H2 (max.)		B (max.)		L		Ø D1 (max.)		Ø D2 (min.)		Matching anchor shackle size*
	tons	kgs	lbs	kgs	lbs	mm	inch	mm	inch	mm	inch	mm	inch	mm	inch	mm	inch	inch		
S-005	0.5	0.1	0.2	0.3	0.7	123	4.8	92	3.6	16	0.6	84	3.30	31	1.2	21	0.8	1/2	7/16	3/8
S-01	1	0.2	0.5	0.3	0.7	123	4.8	92	3.6	16	0.6	84	3.30	31	1.2	21	0.8	1/2	7/16	3/8
S-02	2	0.2	0.5	0.3	0.7	123	4.8	92	3.6	16	0.6	84	3.30	31	1.2	17	0.7	1/2	7/16	3/8
S-03	3	0.5	1	0.3	0.7	137	5.4	100	3.9	19	0.7	84	3.30	37	1.5	21	0.8	5/8	1/2	
S-05	5	1	2	0.5	1	147	5.8	105	4.1	26	1	84	3.30	43	1.7	23	0.9	3/4	5/8	
S-10	10	2	5	1.4	3.1	195	7.7	131	5.2	41	1.6	116	4.6	61	2.4	36	1.4	1 1/4	7/8	1
S-12	12.5	2	5	1.4	3.1	195	7.7	131	5.2	41	1.6	116	4.6	61	2.4	36	1.4	1 1/4	7/8	1
S-15	15	2	5	2.5	5.5	226	8.9	146	5.7	45	1.8	116	4.6	75	3	40	1.6	1 3/8	1 1/4	1 1/8
S-20	20	5	10	2.5	5.5	226	8.9	146	5.7	45	1.8	116	4.6	75	3	40	1.6	1 3/8		
S-25	25	5	10	3.7	8	240	9.4	150	5.9	58	2.3	116	4.6	87	3.4	44	1.7	1 1/2		
S-30	30	5	10	3.7	8	240	9.4	150	5.9	58	2.3	116	4.6	87	3.4	44	1.7	1 1/2		
S-40	40	10	20	8	17	320	12.6	195	7.7	71	2.8	116	4.6	115	4.5	60	2.4	2	1 3/4	
S-55	55	10	20	8	17	320	12.6	195	7.7	71	2.8	133	5.2	115	4.5	60	2.4	2		
S-85	85	20	50	18	40	405	15.9	255	10	97	3.8	185	7.3	145	5.7	76	3	2 1/2		
S-100	100	20	50	28	60	450	17.7	275	10.8	121	4.8	182	7.2	165	6.5	81	3.2	Widebody	125t	
S-125	125	20	50	28	60	450	17.7	275	10.8	121	4.8	182	7.2	165	6.5	81	3.2	Widebody	125t	
S-150	150	20	50	57	121	575	22.6	350	13.8	145	5.7	211	8.3	210	8.3	106	4.2	Widebody	200t	
S-200	200	50	100	57	121	575	22.6	350	13.8	145	5.7	211	8.3	210	8.3	106	4.2	Widebody	200t	
S-250	250	50	100	106	225	800	31.5	490	19.3	178	7	285	11.2	260	10.2	138	5.4	Widebody	250t or 300t	
S-300	300	50	100	106	225	800	31.5	490	19.3	178	7	285	11.2	260	10.2	138	5.4	Widebody	300t	

> USE SHACKLES WITH S.W.L. (SAFE WORKING LOAD) EQUAL TO, OR GREATER THAN SYSTEM'S FULL RANGE.

> The company reserves the right to make changes without notice.

OPTIONS



- > Optional Backlight
- > Additional 0.5"/12mm LCD display with cable connection to indicator or wireless
- > Additional 1"/25mm LCD display with cable connection to indicator or wireless
- > Additional 2"/50mm LCD display with cable connection to indicator or wireless
- > Additional 5"/125mm LED display with cable connection to indicator or wireless
- > Robust sealed carrying case: Pelican or equivalent
- > Dampened display for unstable loads
- > Automatic/Manual Data Logger - Up to 50,000 measurements
- > Multi-cell: Up to 8 different load cells controlled by a single indicator
- > Multiple point load monitoring: up to 200 load cells, please see Ron StageMaster
- > Number of measurements per second: 1, 2, 3, factory set
- > Real-time clock: date, hour, minute, second adds time stamp to RS-232 output

- > Robust, extruded aluminum, hand-held indicator instead of ABS (1"/25mm or 2"/50mm digits)
- > Rechargeable batteries with external charger.
- > RS-232 - continuous or on demand data output, user-selectable
- > RS-485 - continuous or on demand data output, user-selectable
- > Totalizer
- > Totalizer with Data Logging
- > Wireless communication to additional display or PC
- > USB

High Temperature Options:

- > Heat shield for the load cell
- > Internal load cell thermometer for load cell temperature display on the hand-held indicator
- > Optional Backlight
- > Dampened display for unstable loads

Ron 2000 Shackle Type Dynamometer with Remote Indicator

ADVANTAGES



5 year warranty

Portable: Lightweight and small. Available with Pelican™ carrying case.

Highly Accurate: $\pm 0.1\%$ of full range - important for early overload detection.

Excellent battery life: Up to 2000 Hours (2x AA batteries).

Quality Materials: Exclusive use of high strength aerospace quality steel for load cell bodies

Fatigue rated: All Eilon Engineering load cells are Fatigue Rated according to ASME BTH-1 and IEC 61508. Fatigue Rated means an unlimited number of load cycles (Provided capacity is not exceeded).

Robust: Heavy duty designs with shock absorbing mechanisms.

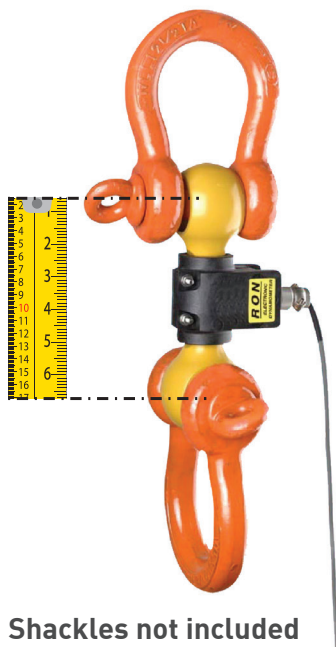
Unique: Shackle holes offset 90 degrees reduce external moments for greater safety and accuracy.

Minimal Headroom loss: Smallest on the market - important for indoor applications.

Advanced options: Auto/Manual Data Logger, RS232, Additional Displays.

Short delivery time: In most cases 48-72 hours.

More than 45 years in the market with repeat customers such as NASA, Boeing, Cirque du Soleil, Disney, GE, Lockheed Martin, other Fortune 500 companies, as well as numerous small businesses.



Shackles not included

TECHNICAL SPECIFICATIONS



Safety factor: 5:1

Accuracy: 0.1% of full range.

Calibration: User calibration. Initial factory calibration, fully traceable (certified).

Load Cell Material: high-strength, aerospace quality, alloy steel, polyurethane coated.

Proof Load: Each system proof-loaded to 200% of capacity (certified) up to a test force of 400t.

Display: 6 digits, 1/2" (12mm) liquid crystal display. Overload warnings (100%/130%), low battery indication, Gross/Net. Refresh rate 1Hz.

Sampling Rate: 200 per second.

Functions: Zero, Tare, Battery level indication, Low battery warning, Max. (peak hold).

Units: User selectable units (metric tons, short tons, kgs., lbs., Newtons, Deca-Newtons, Kilo-Newtons).

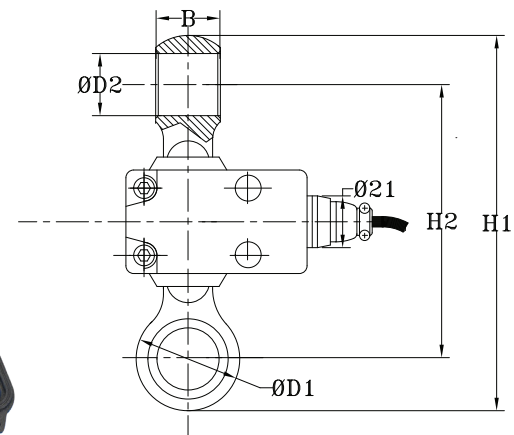
Indicator/Load Cell Housing: High quality ABS.

Temperature Range:

Load cell: -15°F to $+175^{\circ}\text{F}$ (-25°C to $+80^{\circ}\text{C}$)

Indicator: -4°F to $+158^{\circ}\text{F}$ (-20°C to $+70^{\circ}\text{C}$)

Environmental: IP65 (Optional IP67 Load Cell).



Cat no.	Full range		Resolution		Load Cell weight		Cable length		H1 (max.)		H2 (max.)		B (max.)		Ø D1 (max.)		Ø D2 (min.)		Matching anchor shackle size*
	tons	kgs	lbs	kgs	lbs	m	ft	mm	inch	mm	inch	mm	inch	mm	inch	mm	inch	inch	
S-005	0.5	0.1	0.2	0.3	0.7	5	16	92	3.6	16	0.6	84	3.30	31	1.2	21	0.8	1/2 7/16 3/8	
S-01	1	0.2	0.5	0.3	0.7	5	16	92	3.6	16	0.6	84	3.30	31	1.2	21	0.8	1/2 7/16 3/8	
S-02	2	0.2	0.5	0.3	0.7	5	16	92	3.6	16	0.6	84	3.30	31	1.2	17	0.7	1/2 7/16 3/8	
S-03	3	0.5	1	0.3	0.7	5	16	100	3.9	19	0.7	84	3.30	37	1.5	21	0.8	5/8 1/2	
S-05	5	1	2	0.5	1	5	16	105	4.1	26	1	84	3.30	43	1.7	23	0.9	3/4 5/8	
S-10	10	2	5	1.4	3.1	5	16	131	5.2	41	1.6	116	4.6	61	2.4	36	1.4	1 1/4 1 1/8 1	
S-12	12.5	2	5	1.4	3.1	5	16	131	5.2	41	1.6	116	4.6	61	2.4	36	1.4	1 1/4 1 1/8 1	
S-15	15	2	5	2.5	5.5	5	16	146	5.7	45	1.8	116	4.6	75	3	40	1.6	1 3/8 1 1/4 1 1/8	
S-20	20	5	10	2.5	5.5	5	16	146	5.7	45	1.8	116	4.6	75	3	40	1.6	1 3/8	
S-25	25	5	10	3.7	8	5	16	150	5.9	58	2.3	116	4.6	87	3.4	44	1.7	1 1/2	
S-30	30	5	10	3.7	8	5	16	150	5.9	58	2.3	116	4.6	87	3.4	44	1.7	1 1/2	
S-40	40	10	20	8	17	10	32	195	7.7	71	2.8	116	4.6	115	4.5	60	2.4	2 1 3/4	
S-50	55	10	20	8	17	10	32	195	7.7	71	2.8	133	5.2	115	4.5	60	2.4	2	
S-80	85	20	50	18	40	10	32	255	10	97	3.8	185	7.3	145	5.7	76	3	2 1/2	
S-100	100	20	50	28	60	15	49	275	10.8	121	4.8	182	7.2	165	6.5	81	3.2	Widebody 125t	
S-125	125	20	50	28	60	15	49	275	10.8	121	4.8	182	7.2	165	6.5	81	3.2	Widebody 125t	
S-150	150	20	50	57	121	15	49	350	13.8	145	5.7	211	8.3	210	8.3	106	4.2	Widebody 200t	
S-200	200	50	100	57	121	15	49	350	13.8	145	5.7	211	8.3	210	8.3	106	4.2	Widebody 200t	
S-250	250	50	100	106	225	15	49	490	19.3	178	7	285	11.2	260	10.2	138	5.4	Widebody 250t or 300t	
S-300	300	50	100	106	225	15	49	490	19.3	178	7	285	11.2	260	10.2	138	5.4	Widebody 300t	

> USE SHACKLES WITH S.W.L. (SAFE WORKING LOAD) EQUAL TO, OR GREATER THAN SYSTEM'S FULL RANGE.

> The company reserves the right to make changes without notice.

OPTIONS



- > Optional Backlight
- > 1 or 2 user-adjustable set points
- > Additional 0.5"/12mm LCD display with cable connection to indicator or wireless
- > Additional 1"/25mm LCD display with cable connection to indicator or wireless
- > Additional 2"/50mm LCD display with cable connection to indicator or wireless
- > Additional 5"/125mm LED display with cable connection to indicator or wireless
- > Additional extension cable in 15ft/5m increments
- > Analog output: 0 to 3V
- > Analog output: 4 to 20 mA
- > Robust sealed carrying case: Pelican or equivalent.
- > Dampened display for unstable load
- > Automatic/Manual Data Logger - Up to 50,000 measurements
- > IP 67 load cell with special off-shore capability
- > Number of measurements per second: 1, 2, 3, factory set
- > Real-time clock: date, hour, minute, second adds time stamp to RS-232 output
- > Rechargeable batteries with external charger
- > Rope falls multiplier, user selectable
- > RS-232 - continuous or on demand data output, user-selectable
- > RS-485 - continuous or on demand data output, user-selectable
- > Totalizer
- > Totalizer with Data Logging
- > Wireless communication to additional display or PC
- > USB

Ron 2125 Shackle Type Dynamometer with 1"/25mm Attachable Display

ADVANTAGES



5 year warranty

Portable: Lightweight and small. Available with Pelican™ carrying case.

Highly Accurate: $\pm 0.1\%$ of full range - important for early overload detection.

Readable: Larger digits and backlit display.

Flexible: Indicator can be hand-held or attached to load cell (up to 12.5t).

Excellent battery life: Up to 2000 Hours (3x AA batteries).

Quality Materials: Exclusive use of high strength aerospace quality steel for load cell bodies

Fatigue rated: All Eilon Engineering load cells are Fatigue Rated according to ASME BTH-1 and IEC 61508. Fatigue Rated means an unlimited number of load cycles (Provided capacity is not exceeded).

Robust: Heavy duty designs with shock absorbing mechanisms.

Unique: Shackle holes offset 90 degrees reduce external moments for greater safety and accuracy.

Minimal Headroom loss: Smallest on the market - important for indoor applications.

Advanced options: Auto/Manual Data Logger, RS232, Additional Displays.

Short delivery time: In most cases 48-72 hours.

More than 45 years in the market with repeat customers such as NASA, Boeing, Cirque du Soleil, Disney, GE, Lockheed Martin, other Fortune 500 companies, as well as numerous small businesses.

TECHNICAL SPECIFICATIONS



Safety factor: 5:1

Accuracy: 0.1% of full range.

Calibration: User calibration. Initial factory calibration, fully traceable (certified).

Load Cell Material: high-strength, aerospace quality, alloy steel, polyurethane coated.

Proof Load: Each system proof-loaded to 200% of capacity (certified) up to a test force of 400t.

Display: 6 digits, 1" (25mm) liquid crystal display. Overload warnings (100%/130%), Max (peak hold), low battery indication, Gross/Net. Refresh rate 1Hz.

Sampling Rate: 200 per second.

Functions: Zero. Tare. Battery charge level indication. Low battery warning. Max. (peak hold). Sleep mode, wakes automatically when loaded.

Units: User selectable units (metric tons, short tons, kgs., lbs., Newtons, Deca-Newtons, Kilo-Newtons).

Housing: Aluminum indicator, ABS load cell.

Temperature Range:

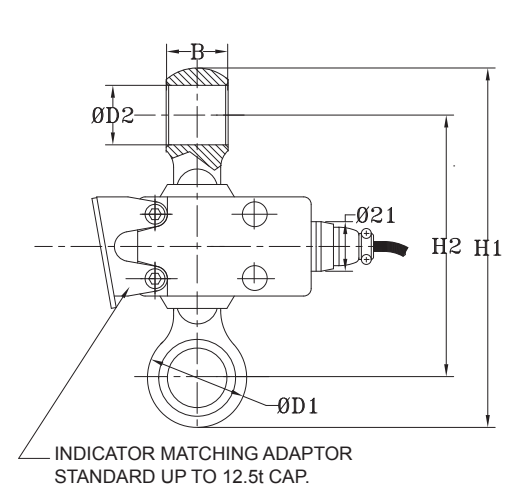
Load cell: -15°F to $+175^{\circ}\text{F}$ (-25°C to $+80^{\circ}\text{C}$).

Indicator: -4°F to $+158^{\circ}\text{F}$ (-20°C to $+70^{\circ}\text{C}$).

Environmental: IP65 (Optional IP67 Load Cell).



Shackles not included



Cat no.	Full range		Resolution		Load Cell weight		Cable length		H1 (max.)		H2 (max.)		B (max.)		Ø D1 (max.)		Ø D2 (min.)		Matching anchor shackle size*	
	tons	kgs	lbs	kgs	lbs	m	ft	mm	inch	mm	inch	mm	inch	mm	inch	mm	inch	inch		
S-005	0.5	0.1	0.2	0.3	0.7	5	16	92	3.6	16	0.6	84	3.30	31	1.2	21	0.8	1/2	7/16	3/8
S-01	1	0.2	0.5	0.3	0.7	5	16	92	3.6	16	0.6	84	3.30	31	1.2	21	0.8	1/2	7/16	3/8
S-02	2	0.2	0.5	0.3	0.7	5	16	92	3.6	16	0.6	84	3.30	31	1.2	17	0.7	1/2	7/16	3/8
S-03	3	0.5	1	0.3	0.7	5	16	100	3.9	19	0.7	84	3.30	37	1.5	21	0.8	5/8	1/2	
S-05	5	1	2	0.5	1	5	16	105	4.1	26	1	84	3.30	43	1.7	23	0.9	3/4	5/8	
S-10	10	2	5	1.4	3.1	5	16	131	5.2	41	1.6	116	4.6	61	2.4	36	1.4	1 1/4	1 1/8	1
S-12	12.5	2	5	1.4	3.1	5	16	131	5.2	41	1.6	116	4.6	61	2.4	36	1.4	1 1/4	1 1/8	1
S-15	15	2	5	2.5	5.5	5	16	146	5.7	45	1.8	116	4.6	75	3	40	1.6	1 3/8	1 1/4	1 1/8
S-20	20	5	10	2.5	5.5	5	16	146	5.7	45	1.8	116	4.6	75	3	40	1.6	1 3/8		
S-25	25	5	10	3.7	8	5	16	150	5.9	58	2.3	116	4.6	87	3.4	44	1.7	1 1/2		
S-30	30	5	10	3.7	8	5	16	150	5.9	58	2.3	116	4.6	87	3.4	44	1.7	1 1/2		
S-40	40	10	20	8	17	10	32	195	7.7	71	2.8	116	4.6	115	4.5	60	2.4	2	1 3/4	
S-50	55	10	20	8	17	10	32	195	7.7	71	2.8	133	5.2	115	4.5	60	2.4	2		
S-80	85	20	50	18	40	10	32	255	10	97	3.8	185	7.3	145	5.7	76	3	2 1/2		
S-100	100	20	50	28	60	15	49	275	10.8	121	4.8	182	7.2	165	6.5	81	3.2	Widebody	125t	
S-125	125	20	50	28	60	15	49	275	10.8	121	4.8	182	7.2	165	6.5	81	3.2	Widebody	125t	
S-150	150	20	50	57	121	15	49	350	13.8	145	5.7	211	8.3	210	8.3	106	4.2	Widebody	200t	
S-200	200	50	100	57	121	15	49	350	13.8	145	5.7	211	8.3	210	8.3	106	4.2	Widebody	200t	
S-250	250	50	100	106	225	15	49	490	19.3	178	7	285	11.2	260	10.2	138	5.4	Widebody	250t or 300t	
S-300	300	50	100	106	225	15	49	490	19.3	178	7	285	11.2	260	10.2	138	5.4	Widebody	300t	

> USE SHACKLES WITH S.W.L. (SAFE WORKING LOAD) EQUAL TO, OR GREATER THAN SYSTEM'S FULL RANGE.

> The company reserves the right to make changes without notice.

OPTIONS



- > 1 or 2 user-adjustable set points
- > Additional 0.5"/12mm LCD display with cable connection to indicator or wireless
- > Additional 1"/25mm LCD display with cable connection to indicator or wireless
- > Additional 2"/50mm LCD display with cable connection to indicator or wireless
- > Additional 5"/125mm LED display with cable connection to indicator or wireless
- > Additional extension cable in 15ft/5m increments
- > Analog output: 0 to 3V
- > Analog output: 4 to 20 mA
- > Robust sealed carrying case: Pelican or equivalent.
- > Dampened display for unstable load
- > Automatic/Manual Data Logger - Up to 50,000 measurements
- > IP 67 load cell with special off-shore capability
- > Longer extension cable in 15ft/5m increments
- > Number of measurements per second: 1, 2, 3, factory set
- > Real-time clock: date, hour, minute, second adds time stamp to RS-232 output
- > Rechargeable batteries with an external charger
- > Rope falls multiplier, user selectable
- > RS-232 - continuous or on demand data output, user-selectable
- > RS-485 - continuous or on demand data output, user-selectable
- > Totalizer
- > Totalizer with Data Logging
- > Wireless communication to additional display or PC
- > USB

Ron 2150 Shackle Type Dynamometer with 2"/50mm Attachable Display

ADVANTAGES



5 year warranty

Portable: Lightweight and small. Available with Pelican™ carrying case.

Highly Accurate: $\pm 0.1\%$ of full range - important for early overload detection.

Flexible: Indicator can be hand-held or attached to load cell.

Readable: Large digits can be read from a distance.

Excellent battery life: Up to 2000 Hours (3x AA batteries).

Quality Materials: Exclusive use of high strength aerospace quality steel for load cell bodies.

Fatigue rated: All Eilon Engineering load cells are Fatigue Rated according to ASME BTH-1 and IEC 61508. Fatigue Rated means an unlimited number of load cycles (Provided capacity is not exceeded).

Robust: Heavy duty designs with shock absorbing mechanisms.

Unique: Shackle holes offset 90 degrees reduce external moments for greater safety and accuracy.

Minimal Headroom loss: Smallest on the market - important for indoor applications.

Short delivery time: In most cases 48-72 hours.

More than 45 years in the market with repeat customers such as NASA, Boeing, Cirque du Soleil, Disney, GE, Lockheed Martin, other Fortune 500 companies, as well as numerous small businesses.

TECHNICAL SPECIFICATIONS



Safety factor: 5:1

Accuracy: 0.1% of full range.

Calibration: User calibration. Initial factory calibration, fully traceable (certified).

Load Cell Material: high-strength, aerospace quality, alloy steel, polyurethane coated.

Proof Load: Each system proof-loaded to 200% of capacity (certified) up to a test force of 400t.

Display: 5/6 digits, 2" (50mm) liquid crystal display. Overload warnings (100%/130%), Max (peak hold), low battery indication, Gross/Net. Refresh rate 1Hz.

Sampling Rate: 200 per second.

Functions: Zero. Tare. Battery charge level indication. Low battery warning. Max. (peak hold). Sleep mode, wakes automatically when loaded.

Units: User selectable units (metric tons, short tons, kgs., lbs., Newtons, Deca-Newtons, Kilo-Newton).

Housing: Aluminum indicator, ABS load cell.

Temperature Range:

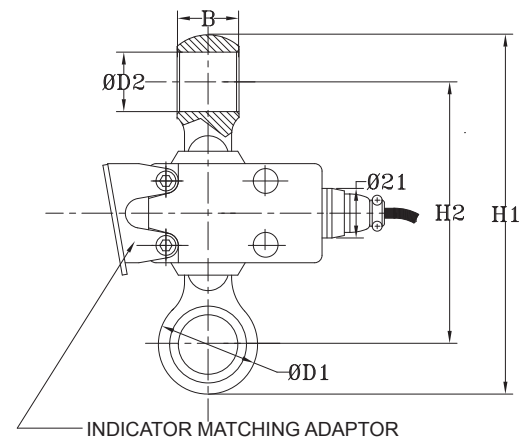
Load cell: -15°F to $+175^{\circ}\text{F}$ (-25°C to $+80^{\circ}\text{C}$).

Indicator: -4°F to $+158^{\circ}\text{F}$ (-20°C to $+70^{\circ}\text{C}$).

Environmental: IP65 (Optional IP67 Load Cell).



Shackles not included



Cat no.	Full range		Resolution		Load Cell weight		Cable length		H1 (max.)		H2 (max.)		B (max.)		Ø D1 (max.)		Ø D2 (min.)		Matching anchor shackle size*		
	tons	kgs	lbs	kgs	lbs	m	ft	mm	inch	mm	inch	mm	inch	mm	inch	mm	inch	inch			
S-005	0.5	0.1	0.2	0.3	0.7	5	16	92	3.6	16	0.6	84	3.30	31	1.2	21	0.8	1/2	7/16	3/8	
S-01	1	0.2	0.5	0.3	0.7	5	16	92	3.6	16	0.6	84	3.30	31	1.2	21	0.8	1/2	7/16	3/8	
S-02	2	0.2	0.5	0.3	0.7	5	16	92	3.6	16	0.6	84	3.30	31	1.2	17	0.7	1/2	7/16	3/8	
S-03	3	0.5	1	0.3	0.7	5	16	100	3.9	19	0.7	84	3.30	37	1.5	21	0.8	5/8	1/2		
S-05	5	1	2	0.5	1	5	16	105	4.1	26	1	84	3.30	43	1.7	23	0.9	3/4	5/8		
S-10	10	2	5	1.4	3.1	5	16	131	5.2	41	1.6	116	4.6	61	2.4	36	1.4	1 1/4	1 1/8	1	
S-12	12.5	2	5	1.4	3.1	5	16	131	5.2	41	1.6	116	4.6	61	2.4	36	1.4	1 1/4	1 1/8	1	
S-15	15	2	5	2.5	5.5	5	16	146	5.7	45	1.8	116	4.6	75	3	40	1.6	1 3/8	1 1/4	1 1/8	
S-20	20	5	10	2.5	5.5	5	16	146	5.7	45	1.8	116	4.6	75	3	40	1.6	1 3/8			
S-25	25	5	10	3.7	8	5	16	150	5.9	58	2.3	116	4.6	87	3.4	44	1.7	1 1/2			
S-30	30	5	10	3.7	8	5	16	150	5.9	58	2.3	116	4.6	87	3.4	44	1.7	1 1/2			
S-40	40	10	20	8	17	10	32	195	7.7	71	2.8	116	4.6	115	4.5	60	2.4	2	1 3/4		
S-50	55	10	20	8	17	10	32	195	7.7	71	2.8	133	5.2	115	4.5	60	2.4	2			
S-80	85	20	50	18	40	10	32	255	10	97	3.8	185	7.3	145	5.7	76	3	2 1/2			
S-100	100	20	50	28	60	15	49	275	10.8	121	4.8	182	7.2	165	6.5	81	3.2	Widebody 125t			
S-125	125	20	50	28	60	15	49	275	10.8	121	4.8	182	7.2	165	6.5	81	3.2	Widebody 125t			
S-150	150	20	50	57	121	15	49	350	13.8	145	5.7	211	8.3	210	8.3	106	4.2	Widebody 200t			
S-200	200	50	100	57	121	15	49	350	13.8	145	5.7	211	8.3	210	8.3	106	4.2	Widebody 200t			
S-250	250	50	100	106	225	15	49	490	19.3	178	7	285	11.2	260	10.2	138	5.4	Widebody 250t or 300t			
S-300	300	50	100	106	225	15	49	490	19.3	178	7	285	11.2	260	10.2	138	5.4	Widebody 300t			

> USE SHACKLES WITH S.W.L. (SAFE WORKING LOAD) EQUAL TO, OR GREATER THAN SYSTEM'S FULL RANGE.

> The company reserves the right to make changes without notice.

OPTIONS



- > 1 or 2 user-adjustable set points
- > Additional 0.5"/12mm LCD display with cable connection to indicator or wireless
- > Additional 1"/25mm LCD display with cable connection to indicator or wireless
- > Additional 2"/50mm LCD display with cable connection to indicator or wireless
- > Additional 5"/125mm LED display with cable connection to indicator or wireless
- > Additional extension cable in 15ft/5m increments
- > Analog output: 0 to 3V
- > Analog output: 4 to 20 mA
- > Robust sealed carrying case: Pelican or equivalent.
- > Dampened display for unstable load
- > Automatic/Manual Data Logger - Up to 50,000 measurements
- > IP 67 load cell with special off-shore capability
- > Longer extension cable in 15ft/5m increments
- > Number of measurements per second: 1, 2, 3, factory set
- > Real-time clock: date, hour, minute, second adds time stamp to RS-232 output
- > Rechargeable batteries with an external charger
- > Rope falls multiplier, user selectable
- > RS-232 - continuous or on demand data output, user-selectable
- > RS-485 - continuous or on demand data output, user-selectable
- > Totalizer
- > Totalizer with Data Logging
- > Wireless communication to additional display or PC
- > USB

Load Monitoring - Crane Scales

Ron 3025 Crane Scale with 1"/25mm Display

ADVANTAGES



5 year warranty

Portable: Lightweight and small.

Highly Accurate: $\pm 0.1\%$ of full range - important for early overload detection.

Heavy-Duty: Aluminum housing and optional protective cage.

Protective Cage: High quality cage mounted on rubber cushions for protection against external impacts.

Excellent battery life: Up to 2000 Hours (3x AA batteries).

Quality Materials: Exclusive use of high strength aerospace quality steel for load cell bodies.

Fatigue rated: All Eilon Engineering load cells are Fatigue Rated according to ASME BTH-1 and IEC 61508. Fatigue Rated means an unlimited number of load cycles (Provided capacity is not exceeded).

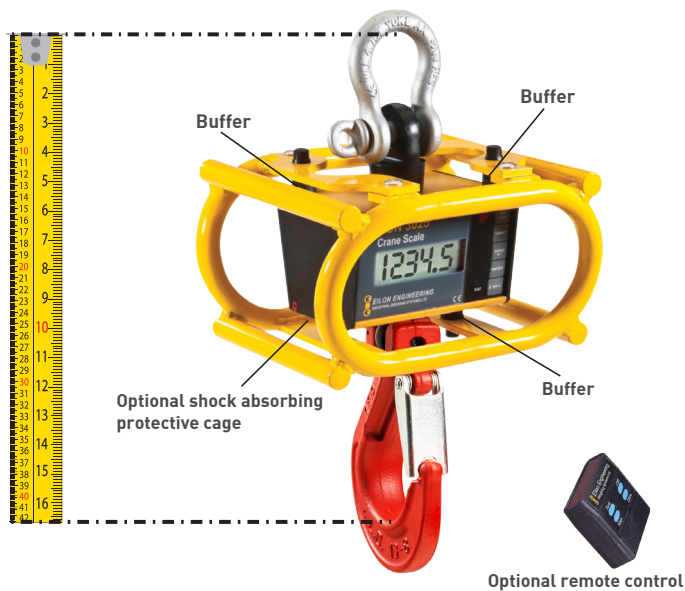
Robust: Heavy duty designs with shock absorbing mechanisms.

Minimal Headroom loss: Smallest on the market - important for indoor applications.

Short delivery time: In most cases 48-72 hours.

Remote Control: Optional.

More than 45 years in the market with repeat customers such as NASA, Boeing, Cirque du Soleil, Disney, GE, Lockheed Martin, other Fortune 500 companies, as well as numerous small businesses.



TECHNICAL SPECIFICATIONS



Safety factor: Load cell body - 5:1. Hook - at least 4:1

Accuracy: 0.1% of full range.

Calibration: User calibration. Initial factory calibration, fully traceable (certified).

Load Cell Material: high-strength, aerospace quality, alloy steel.

Proof Load: Each system proof-loaded to 200% of capacity (certified)

Display: 5/6 digits, 1" (25mm) liquid crystal display. Overload warnings (100%/130%), Max (peak hold), low battery indication, Gross/Net. Refresh rate 1Hz.

Sampling Rate: 200 per second.

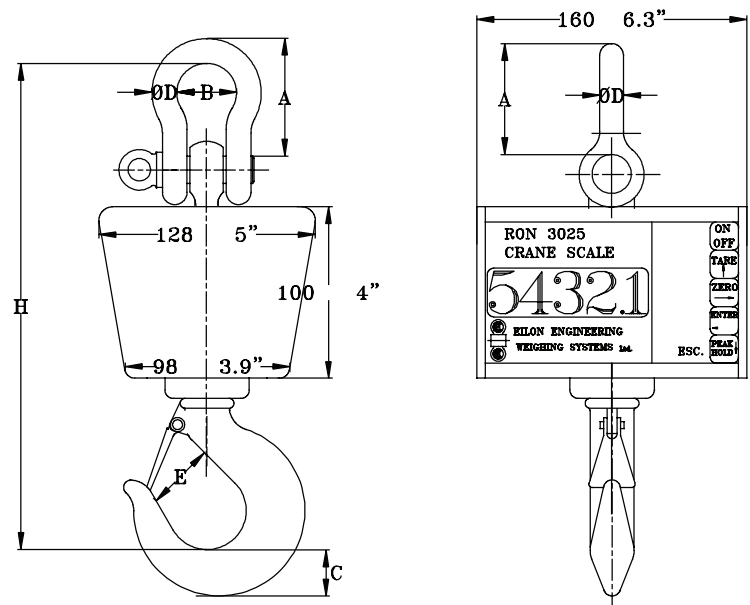
Functions: Zero. Tare. Battery charge level indication. Low battery warning. Max. (peak hold). Sleep mode, wakes automatically when loaded.

Units: User selectable units (metric tons, short tons, kgs., lbs., Newtons, Deca-Newtons, Kilo-Newtons).

Housing: Extruded Aluminum.

Temperature Range: -4°F to $+158^{\circ}\text{F}$ (-20°C to $+70^{\circ}\text{C}$).

Environmental: IP65



Cat no.	Capacity		Resolution		A		B		C*		Ø D		E*		H	
	ton	kg.	lbs	mm.	inch	mm.	inch	mm.	inch	mm.	inch	mm.	inch	mm.	inch	
CW-005	0.5	0.1	0.2	30	1.2	26	1	28	1.1	10	0.4	25	1	335	13.2	
CW-001	1	0.2	0.5	30	1.2	26	1	28	1.1	10	0.4	25	1	335	13.2	
CW-012	1.25	0.2	0.5	30	1.2	26	1	28	1.1	10	0.4	25	1	335	13.2	
CW-016	1.6	0.5	1	30	1.2	26	1	28	1.1	10	0.4	25	1	335	13.2	
CW-02	2	0.5	1	30	1.2	26	1	28	1.1	10	0.4	25	1	335	13.2	
CW-025	2.5	0.5	1	40	1.6	33	1.3	36	1.4	13	0.5	34	1.3	400	15.7	
CW-03	3	0.5	1	40	1.6	33	1.3	36	1.4	13	0.5	34	1.3	400	15.7	
CW-032	3.2	0.5	1	40	1.6	33	1.3	36	1.4	13	0.5	34	1.3	400	15.7	
CW-05	5	1	2	50	2	43	1.7	34	1.4	16	0.6	41	1.6	423	16.7	
CW-08	8	2	5	69	2.7	58	2.3	48	1.9	25	1	43	1.7	500	19.7	
CW-10	10	2	5	82	3.2	68	2.7	58	2.3	25	1	56	2.2	554	21.8	
CW-12	12.5	2	5	82	3.2	68	2.7	58	2.3	25	1	56	2.2	554	21.8	

> The company reserves the right to make changes without notice.

* C & E dimensions subject to change. For current dimensions - contact us.

OPTIONS



- > Shock absorbing cage for protection against external impacts
- > 1 or 2 user-adjustable set points
- > Additional 0.5"/12 mm LCD display with cable connection or wireless
- > Additional 1"/25 mm LCD display with cable connection or wireless
- > Additional 2"/50 mm LCD display with cable connection or wireless
- > Additional 5"/125 mm LED display with cable connection or wireless
- > Analog output: 0 to 3V
- > Analog output: 4 to 20 mA
- > Dampened display for unstable load

- > Automatic/Manual Data Logger - Up to 50,000 measurements
- > Remote Control
- > Number of measurements per second: 1, 2, 3, factory set
- > Real-time clock: date, hour, minute, second adds time stamp to RS-232 output
- > Rechargeable batteries with an external charger
- > RS-232 - continuous or on demand data output, user-selectable
- > RS-485 - continuous or on demand data output, user-selectable
- > Totalizer
- > Totalizer with Data Logging
- > Wireless communication to additional display or PC
- > USB

Load Monitoring - Crane Scales

Ron 3050 Crane Scale with 2"/50mm Display

ADVANTAGES



5 year warranty

Portable: Lightweight and small.

Highly Accurate: $\pm 0.1\%$ of full range - important for early overload detection.

Heavy-Duty: Aluminum housing and optional protective cage.

Protective Cage: High quality cage mounted on rubber cushions for protection against external impacts.

Readable: Large digits can be read from a distance.

Excellent battery life: Up to 2000 Hours (3x AA batteries).

Quality Materials: Exclusive use of high strength aerospace quality steel for load cell bodies.

Fatigue rated: All Eilon Engineering load cells are Fatigue Rated according to ASME BTH-1 and IEC 61508. Fatigue Rated means an unlimited number of load cycles (Provided capacity is not exceeded).

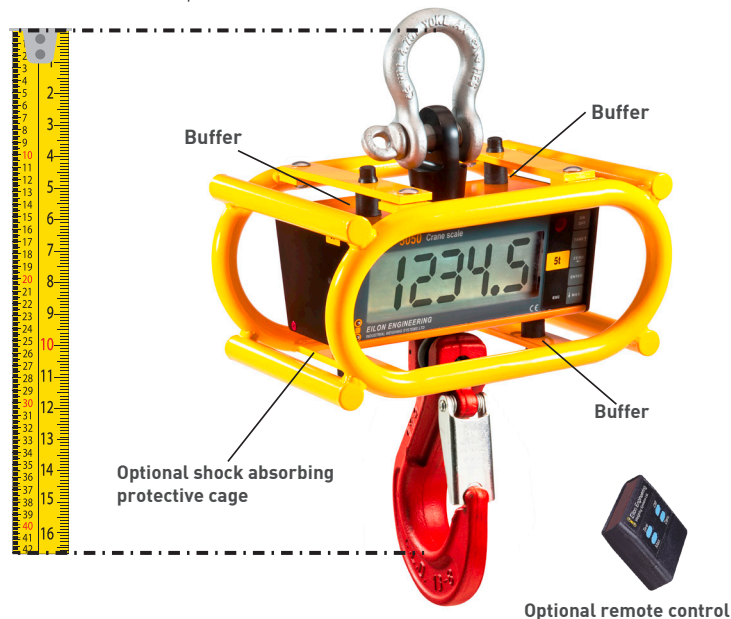
Robust: Heavy duty designs with shock absorbing mechanisms.

Minimal Headroom loss: Smallest on the market - important for indoor applications.

Short delivery time: In most cases 48-72 hours.

Remote Control: Optional.

More than 45 years in the market with repeat customers such as NASA, Boeing, Cirque du Soleil, Disney, GE, Lockheed Martin, other Fortune 500 companies, as well as numerous small businesses.



TECHNICAL SPECIFICATIONS



Safety factor: Load cell body - 5:1. Hook - at least 4:1

Accuracy: 0.1% of full range.

Calibration: User calibration. Initial factory calibration, fully traceable (certified).

Load Cell Material: high-strength, aerospace quality, alloy steel.

Proof Load: Each system proof-loaded to 200% of capacity (certified)

Display: 5/6 digits, 2" (50mm) liquid crystal display. Overload warnings (100%/130%), Max (peak hold), low battery indication, Gross/Net. Refresh rate 1Hz.

Sampling Rate: 200 per second.

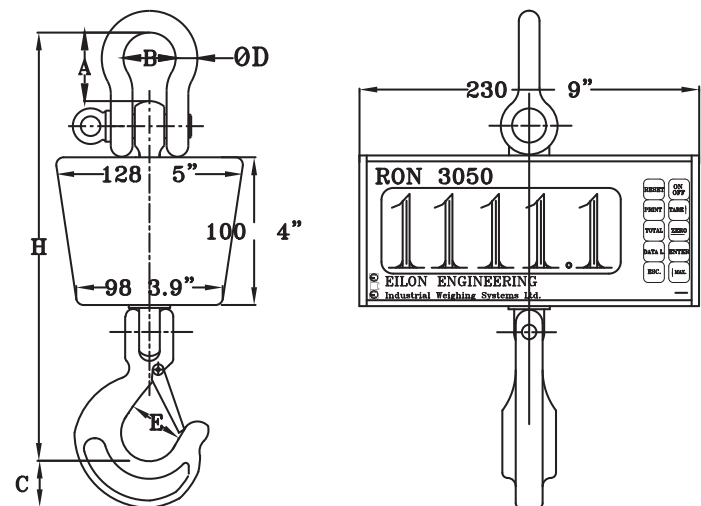
Functions: Zero. Tare. Battery charge level indication. Low battery warning. Max. (peak hold). Sleep mode, wakes automatically when loaded.

Units: User selectable units (metric tons, short tons, kgs., lbs., Newtons, Deca-Newtons, Kilo-Newtons).

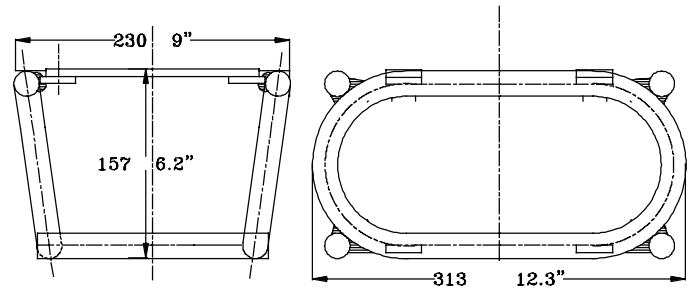
Housing: Extruded Aluminum.

Temperature Range: -4°F to $+158^{\circ}\text{F}$ (-20°C to $+70^{\circ}\text{C}$).

Environmental: IP65.



Cat no.	Cap.	Resolution		C Max		E Min		H*	
	ton	kg.	lbs	mm.	inch	mm.	inch	mm.	inch
CW-005	0.5	0.1	0.2	31	1.2	24	0.9	335	13.2
CW-01	1	0.2	0.5	31	1.2	24	0.9	335	13.2
CW-012	1.25	0.2	0.5	31	1.2	24	0.9	335	13.2
CW-016	1.6	0.5	1	31	1.2	24	0.9	335	13.2
CW-02	2	0.5	1	31	1.2	24	0.9	335	13.2
CW-025	2.5	0.5	1	36	1.4	34	1.3	400	15.7
CW-03	3	0.5	1	36	1.4	34	1.3	400	15.7
CW-032	3.2	0.5	1	36	1.4	34	1.3	400	15.7
CW-05	5	1	2	44	1.7	41	1.6	423	16.7
CW-08	8	2	5	48	1.9	45	1.9	500	19.7
CW-10	10	2	5	58	2.3	53	2.3	554	21.8
CW-12	12.5	2	5	58	2.3	53	2.3	554	21.8
CW-15	15	2	5	64	2.5	57	2.5	625	24.6



> The company reserves the right to make changes without notice.
 * "H" includes the smallest shackle that fits.

OPTIONS Ⓟ

- > Shock absorbing cage for protection against external impacts
- > 1 or 2 user-adjustable set points
- > Additional 0.5"/12 mm LCD display with cable connection or wireless.
- > Additional 1"/25 mm LCD display with cable connection or wireless.
- > Additional 2"/50 mm LCD display with cable connection or wireless.
- > Additional 5"/125 mm LED display with cable connection or wireless
- > Analog output: 0 to 3V
- > Analog output: 4 to 20 mA
- > Dampened display for unstable load

- > Automatic/Manual Data Logger - Up to 50,000 measurements
- > Remote Control
- > Number of measurements per second: 1, 2, 3, factory set
- > Real-time clock: date, hour, minute, second adds time stamp to RS-232 output
- > Rechargeable batteries with an external charger.
- > RS-232 - continuous or on demand data output, user-selectable
- > RS-485 - continuous or on demand data output, user-selectable
- > Totalizer
- > Totalizer with Data Logging
- > Wireless communication to additional display or PC
- > USB

Load Monitoring - Crane Scales

Ron 2501 Hook Type Wireless Crane Scale

ADVANTAGES



5 year warranty

Portable: Lightweight and small.

Highly Accurate: $\pm 0.1\%$ of full range - important for early overload detection.

Long transmission Range: Up to 150m/yds. Up to 3.2 Km / 2 Miles upon request (outdoor, line of sight).

Excellent battery life: Up to 2000 Hours (2x AA batteries). Optional 4000h.

Quality Materials: Exclusive use of high strength aerospace quality steel for load cell bodies.

Fatigue rated: All Eilon Engineering load cells are Fatigue Rated according to ASME BTH-1 and IEC 61508. Fatigue Rated means an unlimited number of load cycles (Provided capacity is not exceeded).

Robust: Heavy duty designs with shock absorbing mechanisms.

Unique: Shackle holes offset 90 degrees reduce external moments for greater safety and accuracy.

Minimal Headroom loss: Smallest on the market - important for indoor applications.

Multi-point: Up to 200 different load cells controlled by a single receiver and all measurements are presented on one screen as a real time load map.

Advanced options: Auto/Manual Data Logger, RS232, Additional Displays.

Short delivery time: In most cases 48-72 hours.

More than 45 years in the market with repeat customers such as NASA, Boeing, Cirque du Soleil, Disney, GE, Lockheed Martin, other Fortune 500 companies, as well as numerous small businesses.



TECHNICAL SPECIFICATIONS



Safety factor: Load cell body - 5:1. Hook - at least 4:1

Accuracy: 0.1% of full range.

Transmission Range: Up to 150m/yds. Up to 3.2 Km / 2 Miles upon request (outdoor, line of sight).

Calibration: User calibration. Initial factory calibration, fully traceable (certified).

Load Cell Material: high-strength, aerospace quality, alloy steel, polyurethane coated.

Proof Load: Each system proof-loaded to 200% of capacity (certified)

Display: 6 digits, 1/2" (12mm) liquid crystal display. Overload warnings (100%/130%), low battery indication, Gross/Net. Refresh rate 1Hz.

Sampling Rate: 200 per second.

Functions: Zero, Tare, Battery level indication, Low battery warning, Max. (peak hold), User calibration.

Units: User selectable units (metric tons, short tons, kgs., lbs., Newtons, Deca-Newtons, Kilo-Newtons).

Indicator/Load Cell Housing: High quality ABS.

Temperature Range:

Load cell: -15°F to $+175^{\circ}\text{F}$ (-25°C to $+80^{\circ}\text{C}$)

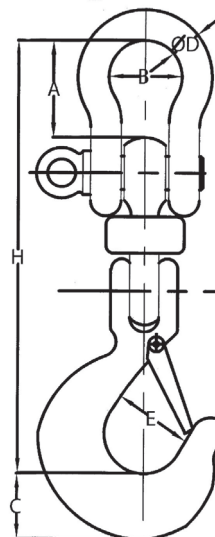
Indicator: -4°F to $+158^{\circ}\text{F}$ (-20°C to $+70^{\circ}\text{C}$)

Environmental:

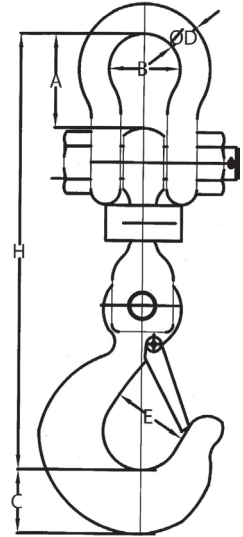
Load Cell: IP67

Indicator: IP65

Capacities 0.5t - 15t
(Clevish Hook)



Capacities 20t - 30t
(Eye Hook)



Cat no.	Capacity		Resolution		A		B		C*		Ø D		E*		H	
	ton	kg.	lbs	mm.	inch	mm.	inch	mm.	inch	mm.	inch	mm.	inch	mm.	inch	
H-005	0.5	0.1	0.2	30	1.2	26	1	28	1.1	10	0.4	25	1	235	9.3	
H-01	1	0.2	0.5	30	1.2	26	1	28	1.1	10	0.4	25	1	235	9.3	
H-0125	1.25	0.2	0.5	30	1.2	26	1	28	1.1	10	0.4	25	1	235	9.3	
H-016	1.6	0.2	0.5	30	1.2	26	1	28	1.1	10	0.4	25	1	235	9.3	
H-02	2	0.2	0.5	40	1.6	33	1.3	36	1.4	13	0.5	34	1.3	279	11	
H-025	2.5	0.5	1	40	1.6	33	1.3	36	1.4	13	0.5	34	1.3	279	11	
H-03	3	0.5	1	40	1.6	33	1.3	36	1.4	13	0.5	34	1.3	279	11	
H-032	3.2	0.5	1	40	1.6	33	1.3	36	1.4	13	0.5	34	1.3	279	11	
H-05	5	1	2	50	2	43	1.7	34	1.4	16	0.6	41	1.6	334	13.2	
H-10	10	2	5	82	3.2	68	2.7	58	2.3	25	1	56	2.2	440	17.3	
H-12	12.5	2	5	82	3.2	68	2.7	58	2.3	25	1	56	2.2	440	17.3	
H-15	15	2	5	104	4.1	82	3.2	64	2.5	33	1.3	57	2.2	508	20	
H-20	20	5	10	137	5.3	111	4.3	79	3.1	41	1.6	71	2.8	621	24.5	
H-25	25	5	10	169	6.6	146	5.7	99	3.9	51	2	86	3.4	744	29.3	
H-30	30	5	10	169	6.6	146	5.7	99	3.9	51	2	86	3.4	744	29.3	

> The company reserves the right to make changes without notice.

* C & E dimensions subject to change. For current dimensions - contact us.

OPTIONS



- > Optional Backlight
- > Additional 0.5"/12mm LCD display with cable connection to indicator or wireless
- > Additional 1"/25mm LCD display with cable connection to indicator or wireless
- > Additional 2"/50mm LCD display with cable connection to indicator or wireless
- > Additional 5"/125mm LED display with cable connection to indicator or wireless
- > Battery life: Extended battery life of up to 4000 hours
- > Dampened display for unstable loads
- > Automatic/Manual Data Logger - Up to 50,000 measurements
- > Multi-cell: Up to 8 different load cells controlled by a single indicator.
- > Multiple load monitoring: up to 200 load cells, please see Ron StageMaster
- > Number of measurements per second: 1, 2, 3, factory set

- > Real-time clock: date, hour, minute, second adds time stamp to RS-232 output
- > Robust, extruded aluminum, hand-held indicator instead of ABS (1"/25mm or 2"/50mm digits)
- > Rechargeable batteries with an external charger.
- > RS-232 - continuous or on demand data output, user-selectable
- > RS-485 - continuous or on demand data output, user-selectable
- > Totalizer
- > Totalizer with Data Logging
- > USB

High Temperature Options:

- > Heat shield for the load cell
- > Internal load cell thermometer for load cell temperature display on the hand-held indicator
- > Optional Backlight
- > Dampened display for unstable loads

Load Monitoring - Crane Scales

Ron 2000 Hook Type Crane Scale with Remote Indicator

ADVANTAGES



5 year warranty

Portable: Lightweight and small.

Highly Accurate: $\pm 0.1\%$ of full range - important for early overload detection.

Excellent battery life: Up to 2000 Hours (2x AA batteries).

Quality Materials: Exclusive use of high strength aerospace quality steel for load cell bodies.

Fatigue rated: All Eilon Engineering load cells are Fatigue Rated according to ASME BTH-1 and IEC 61508. Fatigue Rated means an unlimited number of load cycles (Provided capacity is not exceeded).

Robust: Heavy duty designs with shock absorbing mechanisms.

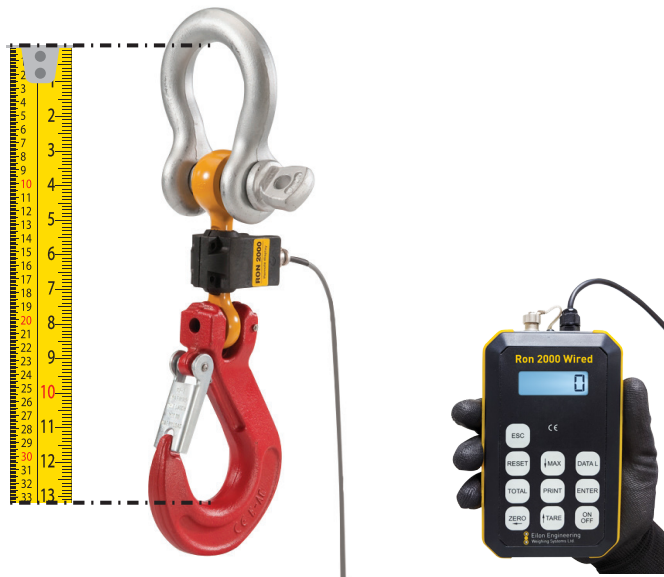
Unique: Shackle holes offset 90 degrees reduce external moments for greater safety and accuracy.

Minimal Headroom loss: Smallest on the market - important for indoor applications.

Advanced options: Auto/Manual Data Logger, RS232, Additional Displays.

Short delivery time: In most cases 48-72 hours.

More than 45 years in the market with repeat customers such as NASA, Boeing, Cirque du Soleil, Disney, GE, Lockheed Martin, other Fortune 500 companies, as well as numerous small businesses.



TECHNICAL SPECIFICATIONS



Safety factor: Load cell body - 5:1. Hook - at least 4:1

Accuracy: 0.1% of full range.

Calibration: User calibration. Initial factory calibration, fully traceable (certified).

Proof Load: Each system proof-loaded to 200% of capacity (certified)

Display: 6 digits, 1/2" (12mm) liquid crystal display. Overload warnings (100%/130%), Max (peak hold), low battery indication, Gross/Net. Refresh rate 1Hz.

Cable: 15" / 5m cable.

Sampling Rate: 200 per second.

Functions: Zero. Tare. Battery charge level indication. Low battery warning. Max. (peak hold). User calibration. Sleep mode, wakes automatically when loaded.

Units: User selectable units (metric tons, short tons, kgs., lbs., Newtons, Deca-Newtons, Kilo-Newtons).

Housing: High quality ABS.

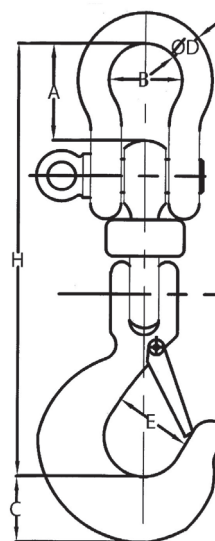
Temperature Range:

Load cell: -15°F to $+175^{\circ}\text{F}$ (-25°C to $+80^{\circ}\text{C}$).

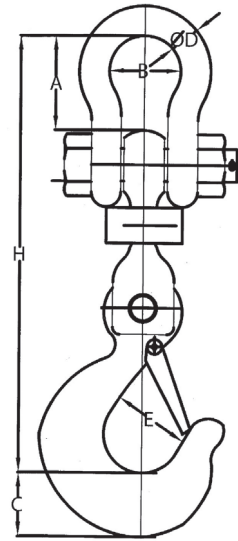
Indicator: -4°F to $+158^{\circ}\text{F}$ (-20°C to $+70^{\circ}\text{C}$).

Environmental: IP65 (Optional IP67 Load Cell).

Capacities 0.5t - 15t
(Clevis Hook)



Capacities 20t - 30t
(Eye Hook)



Cat no.	Capacity		Resolution		Cable length		A		B		C*		Ø D		E*		H	
	ton	kg.	lbs	m	ft.	mm.	inch	mm.	inch	mm.	inch	mm.	inch	mm.	inch	mm.	inch	
H-005	0.5	0.1	0.2	5	16	30	1.2	26	1	28	1.1	10	0.4	25	1	235	9.3	
H-01	1	0.2	0.5	5	16	30	1.2	26	1	28	1.1	10	0.4	25	1	235	9.3	
H-0125	1.25	0.2	0.5	5	16	30	1.2	26	1	28	1.1	10	0.4	25	1	235	9.3	
H-016	1.6	0.2	0.5	5	16	30	1.2	26	1	28	1.1	10	0.4	25	1	235	9.3	
H-02	2	0.2	0.5	5	16	40	1.6	33	1.3	36	1.4	13	0.5	34	1.3	279	11	
H-025	2.5	0.5	1	5	16	40	1.6	33	1.3	36	1.4	13	0.5	34	1.3	279	11	
H-03	3	0.5	1	5	16	40	1.6	33	1.3	36	1.4	13	0.5	34	1.3	279	11	
H-032	3.2	0.5	1	5	16	40	1.6	33	1.3	36	1.4	13	0.5	34	1.3	279	11	
H-05	5	1	2	5	16	50	2	43	1.7	34	1.4	16	0.6	41	1.6	334	13.2	
H-10	10	2	5	5	16	82	3.2	68	2.7	58	2.3	25	1	56	2.2	440	17.3	
H-12	12.5	2	5	5	16	82	3.2	68	2.7	58	2.3	25	1	56	2.2	440	17.3	
H-15	15	2	5	5	16	104	4.1	82	3.2	64	2.5	33	1.3	57	2.2	508	20	
H-20	20	5	10	5	16	137	5.3	111	4.3	79	3.1	41	1.6	71	2.8	621	24.5	
H-25	25	5	10	5	16	169	6.6	146	5.7	99	3.9	51	2	86	3.4	744	29.3	
H-30	30	5	10	5	16	169	6.6	146	5.7	99	3.9	51	2	86	3.4	744	29.3	

> The company reserves the right to make changes without notice.

* C & E dimensions subject to change. For current dimensions - contact us.

OPTIONS



- > Optional Backlight
- > 1 or 2 user-adjustable set points
- > Additional 0.5"/12mm LCD display with cable connection to indicator or wireless
- > Additional 1"/25mm LCD display with cable connection to indicator or wireless
- > Additional 2"/50mm LCD display with cable connection to indicator or wireless
- > Additional 5"/125mm LED display with cable connection to indicator or wireless
- > Additional extension cable in 15ft/5m increments
- > Analog output: 0 to 3V
- > Analog output: 4 to 20 mA

- > Dampened display for unstable loads
- > Automatic/Manual Data Logger - Up to 50,000 measurements
- > IP 67 load cell with special offshore capability
- > Longer extension cable in 15ft/5m increments
- > Number of measurements per second: 1, 2, 3, factory set
- > Real-time clock: date, hour, minute, second adds time stamp to RS-232 output
- > Rechargeable batteries with an external charger
- > RS-232 - continuous or on demand data output, user-selectable
- > RS-485 - continuous or on demand data output, user-selectable
- > Totalizer
- > Totalizer with Data Logging
- > USB

Ron 2125 Hook Type Crane Scale with 1"/25mm Attachable Display

ADVANTAGES



5 year warranty

Portable: Lightweight and small.

Highly Accurate: $\pm 0.1\%$ of full range - important for early overload detection.

Readable: Larger digits and backlit display

Flexible: Indicator can be hand-held or attached to load cell (up to 12.5t).

Excellent battery life: Up to 2000 Hours (3x AA batteries)

Quality Materials: Exclusive use of high strength aerospace quality steel for load cell bodies.

Fatigue rated: All Eilon Engineering load cells are Fatigue Rated according to ASME BTH-1 and IEC 61508. Fatigue Rated means an unlimited number of load cycles (Provided capacity is not exceeded).

Robust: Heavy duty designs with shock absorbing mechanisms.

Minimal Headroom loss: Smallest on the market - important for indoor applications.

Advanced options: Auto/Manual Data Logger, RS232, Additional Displays.

Short delivery time: In most cases 48-72 hours.

More than 45 years in the market with repeat customers such as NASA, Boeing, Cirque du Soleil, Disney, GE, Lockheed Martin, other Fortune 500 companies, as well as numerous small businesses.



TECHNICAL SPECIFICATIONS



Safety factor: Load cell body - 5:1. Hook - at least 4:1

Accuracy: 0.1% of full range.

Calibration: User calibration. Initial factory calibration, fully traceable (certified).

Load Cell Material: high-strength, aerospace quality, alloy steel, polyurethane coated.

Proof Load: Each system proof-loaded to 200% of capacity (certified)

Display: 6 digits, 1" (25mm) liquid crystal display. Overload warnings (100%/130%), Max (peak hold), low battery indication, Gross/Net. Refresh rate 1Hz.

Cable: 15" / 5m cable.

Sampling Rate: 200 per second.

Functions: Zero. Tare. Battery charge level indication. Low battery warning. Max. (peak hold). Sleep mode, wakes automatically when loaded.

Units: User selectable units (metric tons, short tons, kgs., lbs., Newtons, Deca-Newtons, Kilo-Newtons).

Housing: Aluminum indicator, ABS load cell.

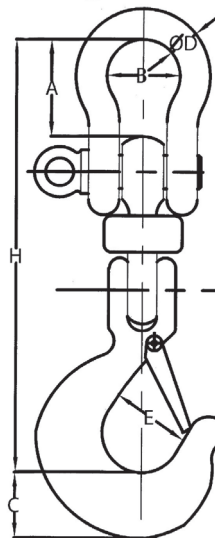
Temperature Range:

Load cell: -15°F to +175°F (-25°C to +80°C).

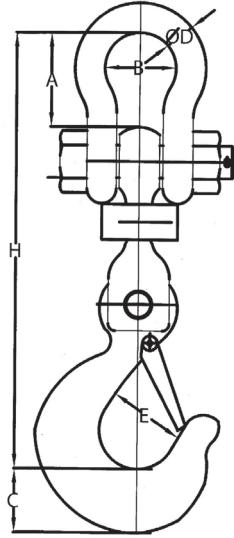
Indicator: -4°F to +158°F (-20°C to +70°C).

Environmental: IP65 (Optional IP67 Load Cell).

Capacities 0.5t - 15t
(Clevis Hook)



Capacities 20t - 30t
(Eye Hook)



Cat no.	Capacity		Resolution		Cable length		A		B		C*		Ø D		E*		H	
	ton	kg.	lbs	m	ft.	mm.	inch	mm.	inch	mm.	inch	mm.	inch	mm.	inch	mm.	inch	
H-005	0.5	0.1	0.2	5	16	30	1.2	26	1	28	1.1	10	0.4	25	1	235	9.3	
H-01	1	0.2	0.5	5	16	30	1.2	26	1	28	1.1	10	0.4	25	1	235	9.3	
H-0125	1.25	0.2	0.5	5	16	30	1.2	26	1	28	1.1	10	0.4	25	1	235	9.3	
H-016	1.6	0.2	0.5	5	16	30	1.2	26	1	28	1.1	10	0.4	25	1	235	9.3	
H-02	2	0.2	0.5	5	16	40	1.6	33	1.3	36	1.4	13	0.5	34	1.3	279	11	
H-025	2.5	0.5	1	5	16	40	1.6	33	1.3	36	1.4	13	0.5	34	1.3	279	11	
H-03	3	0.5	1	5	16	40	1.6	33	1.3	36	1.4	13	0.5	34	1.3	279	11	
H-032	3.2	0.5	1	5	16	40	1.6	33	1.3	36	1.4	13	0.5	34	1.3	279	11	
H-05	5	1	2	5	16	50	2	43	1.7	34	1.4	16	0.6	41	1.6	334	13.2	
H-10	10	2	5	5	16	82	3.2	68	2.7	58	2.3	25	1	56	2.2	440	17.3	
H-12	12.5	2	5	5	16	82	3.2	68	2.7	58	2.3	25	1	56	2.2	440	17.3	
H-15	15	2	5	5	16	104	4.1	82	3.2	64	2.5	33	1.3	57	2.2	508	20	
H-20	20	5	10	5	16	137	5.3	111	4.3	79	3.1	41	1.6	71	2.8	621	24.5	
H-25	25	5	10	5	16	169	6.6	146	5.7	99	3.9	51	2	86	3.4	744	29.3	
H-30	30	5	10	5	16	169	6.6	146	5.7	99	3.9	51	2	86	3.4	744	29.3	

> The company reserves the right to make changes without notice.

* C & E dimensions subject to change. For current dimensions - contact us.

OPTIONS



- > 1 or 2 user-adjustable set points
- > Additional 0.5"/12mm LCD display with cable connection to indicator or wireless
- > Additional 1"/25mm LCD display with cable connection to indicator or wireless
- > Additional 2"/50mm LCD display with cable connection to indicator or wireless
- > Additional 5"/125mm LED display with cable connection to indicator or wireless
- > Additional extension cable in 15ft/5m increments
- > Analog output: 0 to 3V
- > Analog output: 4 to 20 mA
- > Dampened display for unstable loads

- > Automatic/Manual Data Logger - Up to 50,000 measurements
- > IP 67 load cell with special offshore capability
- > Longer extension cable in 15ft/5m increments
- > Number of measurements per second: 1, 2, 3, factory set
- > Real-time clock: date, hour, minute, second adds time stamp to RS-232 output
- > Rechargeable batteries with an external charger
- > RS-232 - continuous or on demand data output, user-selectable
- > RS-485 - continuous or on demand data output, user-selectable
- > Totalizer
- > Totalizer with Data Logging
- > USB

Ron 2150 Hook Type Crane Scale with 2"/50mm Attachable Display

ADVANTAGES



5 year warranty

Portable: Lightweight and small.

Highly Accurate: $\pm 0.1\%$ of full range - important for early overload detection.

Flexible: Indicator can be hand-held or attached to load cell.

Readable: Large digits can be read from a distance.

Excellent battery life: Up to 2000 Hours (3x AA batteries)

Quality Materials: Exclusive use of high strength aerospace quality steel for load cell bodies.

Fatigue rated: All Eilon Engineering load cells are Fatigue Rated according to ASME BTH-1 and IEC 61508. Fatigue Rated means an unlimited number of load cycles (Provided capacity is not exceeded).

Robust: Heavy duty designs with shock absorbing mechanisms.

Minimal Headroom loss: Smallest on the market - important for indoor applications.

Advanced options: Auto/Manual Data Logger, RS232, Additional Displays.

Short delivery time: In most cases 48-72 hours.

More than 45 years in the market with repeat customers such as NASA, Boeing, Cirque du Soleil, Disney, GE, Lockheed Martin, other Fortune 500 companies, as well as numerous small businesses.



TECHNICAL SPECIFICATIONS



Safety factor: Load cell body - 5:1. Hook - at least 4:1

Accuracy: 0.1% of full range.

Calibration: User calibration. Initial factory calibration, fully traceable (certified).

Load Cell Material: high-strength, aerospace quality, alloy steel, polyurethane coated.

Proof Load: Each system proof-loaded to 200% of capacity (certified)

Display: 5/6 digits, 2" (50mm) liquid crystal display. Overload warnings (100%/130%), Max (peak hold), low battery indication, Gross/Net. Refresh rate 1Hz.

Cable: 15" / 5m cable.

Sampling Rate: 200 per second.

Functions: Zero. Tare. Battery charge level indication. Low battery warning. Max. (peak hold). Sleep mode, wakes automatically when loaded.

Units: User selectable units (metric tons, short tons, kgs., lbs., Newtons, Deca-Newtons, Kilo-Newtons).

Housing: Aluminum indicator, ABS load cell.

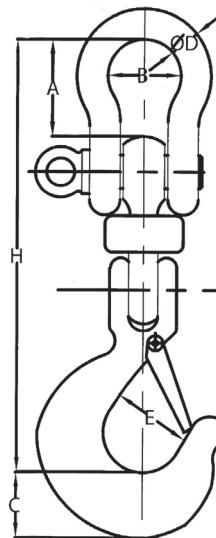
Temperature Range:

Load cell: -15°F to +175°F (-25°C to +80°C).

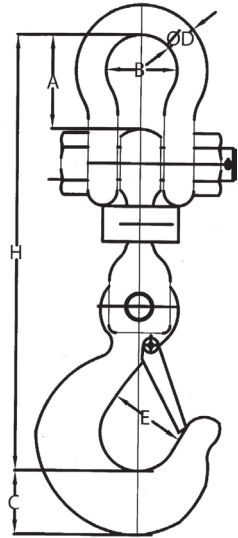
Indicator: -4°F to +158°F (-20°C to +70°C).

Environmental: IP65 (Optional IP67 Load Cell).

Capacities 0.5t - 15t
(Clevis Hook)



Capacities 20t - 30t
(Eye Hook)



Cat no.	Capacity		Resolution		Cable length		A		B		C*		Ø D		E*		H	
	ton	kg.	lbs	m	ft.	mm.	inch	mm.	inch	mm.	inch	mm.	inch	mm.	inch	mm.	inch	
H-005	0.5	0.1	0.2	5	16	30	1.2	26	1	28	1.1	10	0.4	25	1	235	9.3	
H-01	1	0.2	0.5	5	16	30	1.2	26	1	28	1.1	10	0.4	25	1	235	9.3	
H-0125	1.25	0.2	0.5	5	16	30	1.2	26	1	28	1.1	10	0.4	25	1	235	9.3	
H-016	1.6	0.2	0.5	5	16	30	1.2	26	1	28	1.1	10	0.4	25	1	235	9.3	
H-02	2	0.2	0.5	5	16	40	1.6	33	1.3	36	1.4	13	0.5	34	1.3	279	11	
H-025	2.5	0.5	1	5	16	40	1.6	33	1.3	36	1.4	13	0.5	34	1.3	279	11	
H-03	3	0.5	1	5	16	40	1.6	33	1.3	36	1.4	13	0.5	34	1.3	279	11	
H-032	3.2	0.5	1	5	16	40	1.6	33	1.3	36	1.4	13	0.5	34	1.3	279	11	
H-05	5	1	2	5	16	50	2	43	1.7	34	1.4	16	0.6	41	1.6	334	13.2	
H-10	10	2	5	5	16	82	3.2	68	2.7	58	2.3	25	1	56	2.2	440	17.3	
H-12	12.5	2	5	5	16	82	3.2	68	2.7	58	2.3	25	1	56	2.2	440	17.3	
H-15	15	2	5	5	16	104	4.1	82	3.2	64	2.5	33	1.3	57	2.2	508	20	
H-20	20	5	10	5	16	137	5.3	111	4.3	79	3.1	41	1.6	71	2.8	621	24.5	
H-25	25	5	10	5	16	169	6.6	146	5.7	99	3.9	51	2	86	3.4	744	29.3	
H-30	30	5	10	5	16	169	6.6	146	5.7	99	3.9	51	2	86	3.4	744	29.3	

> The company reserves the right to make changes without notice.

* C & E dimensions subject to change. For current dimensions - contact us.

OPTIONS



- > 1 or 2 user-adjustable set points
- > Additional 0.5"/12mm LCD display with cable connection to indicator or wireless
- > Additional 1"/25mm LCD display with cable connection to indicator or wireless
- > Additional 2"/50mm LCD display with cable connection to indicator or wireless
- > Additional 5"/125mm LED display with cable connection to indicator or wireless
- > Additional extension cable in 15ft/5m increments
- > Analog output: 0 to 3V
- > Analog output: 4 to 20 mA
- > Dampened display for unstable loads

- > Automatic/Manual Data Logger - Up to 50,000 measurements
- > IP 67 load cell with special offshore capability
- > Longer extension cable in 15ft/5m increments
- > Number of measurements per second: 1, 2, 3, factory set
- > Real-time clock: date, hour, minute, second adds time stamp to RS-232 output
- > Rechargeable batteries with an external charger
- > RS-232 - continuous or on demand data output, user-selectable
- > RS-485 - continuous or on demand data output, user-selectable
- > Totalizer
- > Totalizer with Data Logging
- > USB

Overload Detection

Ron 1000 Standard Type Overload and / or Underload Detector

TECHNICAL SPECIFICATIONS



Safety Factor: 5:1. Each system proof-loaded to 200% of capacity (certified).

Switching Nature: Normally open and normally closed.

Rating: 0.5A @ 50 VDC, 0.5A @ 125 VAC.

Life Expectancy: Electrical: over 1 million operations. Mechanical: over 5 million operations.

Environment: Weatherproof, NEMA 4, IP 65.

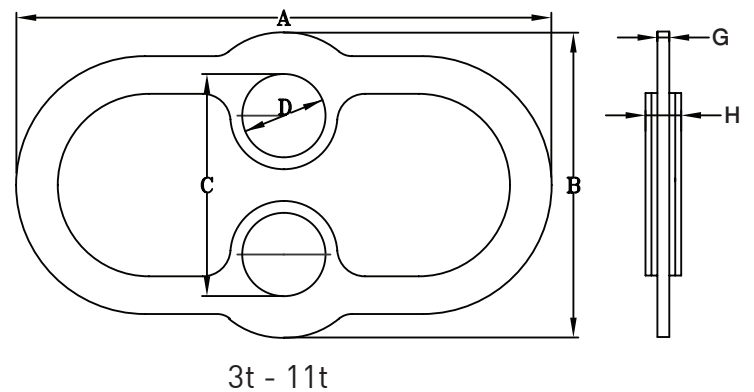
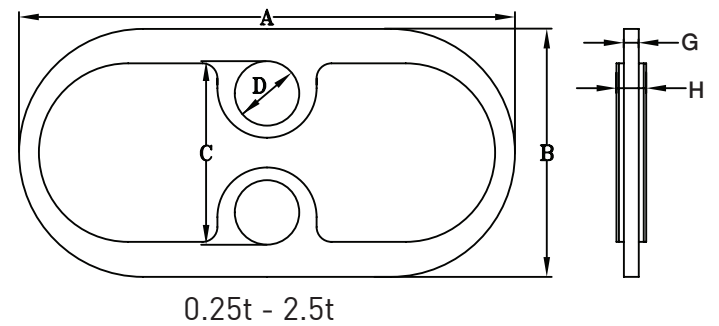
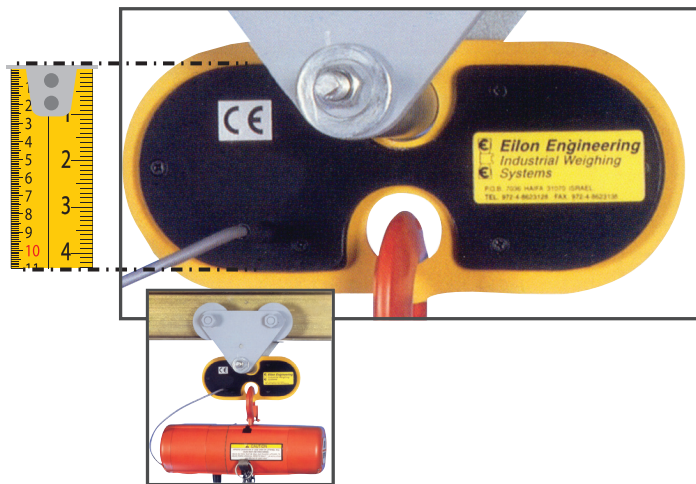
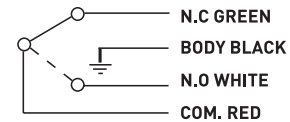
Overload Detection Point: Default: 100% to 110% of capacity.

Temperature Range: -4°F to +175°F (-20°C to + 80°C).

Cable Length: 9.5' (3m).

Material: High strength steel.

Wiring:



Cat no.	Capacity	G Max		H Max		A Max		B Max		C Max		D Max	
	ton	mm.	inch	mm.	inch	mm	inch	mm	inch	mm	inch	mm	inch
S-002	0.25	5	0.2	33	1.3	202	7.95	96	3.78	60	2.36	25	0.98
S-005	0.50	5	0.2	33	1.3	202	7.95	96	3.78	60	2.36	25	0.98
S-007	0.75	7	0.3	35	1.4	202	7.95	96	3.78	60	2.36	25	0.98
S-008	0.8	7	0.3	35	1.4	202	7.95	96	3.78	60	2.36	25	0.98
S-01	1	7	0.3	35	1.4	202	7.95	96	3.78	60	2.36	25	0.98
S-012	1.25	7	0.3	35	1.4	202	7.95	96	3.78	60	2.36	25	0.98
S-015	1.5	9	0.4	37	1.5	202	7.95	96	3.78	60	2.36	25	0.98
S-016	1.6	9	0.4	37	1.5	202	7.95	96	3.78	60	2.36	25	0.98
S-02	2	9	0.4	37	1.5	202	7.95	96	3.78	60	2.36	25	0.98
S-025	2.5	9	0.4	37	1.5	202	7.95	96	3.78	60	2.36	25	0.98
S-03	3	5	0.2	33	1.3	272	10.71	155	6.10	111	4.37	40	1.57
S-032	3.2	5	0.2	33	1.3	272	10.71	155	6.10	111	4.37	40	1.57
S-04	4	7	0.3	35	1.4	272	10.71	155	6.10	111	4.37	40	1.57
S-05	5	7	0.3	35	1.4	272	10.71	155	6.10	111	4.37	40	1.57
S-06	6	9	0.4	37	1.5	272	10.71	155	6.10	111	4.37	40	1.57
S-07	7	11	0.5	39	1.6	272	10.71	155	6.10	111	4.37	40	1.57
S-08	8	11	0.5	39	1.6	272	10.71	155	6.10	111	4.37	40	1.57
S-09	9	13	0.6	41	1.7	272	10.71	155	6.10	111	4.37	40	1.57
S-10	10	13	0.6	41	1.7	272	10.71	155	6.10	111	4.37	40	1.57
S-11	11	15	0.7	43	1.8	272	10.71	155	6.10	111	4.37	40	1.57

> The company reserves the right to make changes without notice.

OPTIONS



> Additional detection point.

Overload Detection

Ron 1000 Chain Type Overload and / or Underload Detector

TECHNICAL SPECIFICATIONS



Safety Factor: 5:1. Each system proof-loaded to 200% of capacity (certified).

Switching Nature: Normally open and normally closed.

Rating: 0.5A @ 50 VDC, 0.5A @ 125 VAC.

Life Expectancy: Electrical: over 1 million operations. Mechanical: over 5 million operations.

Environment: Weatherproof, NEMA 4, IP 65.

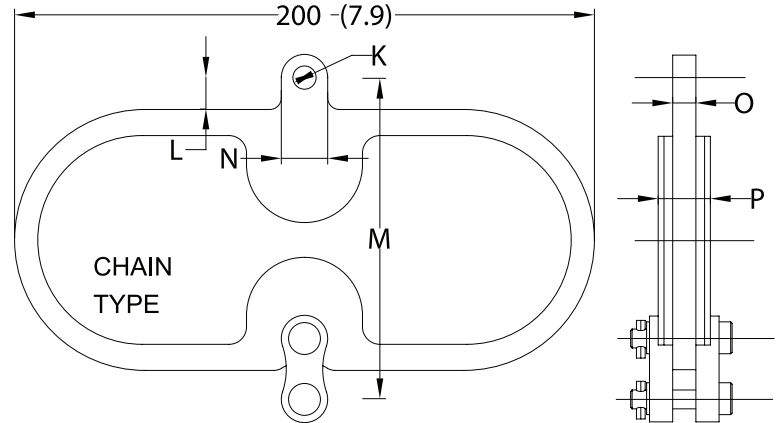
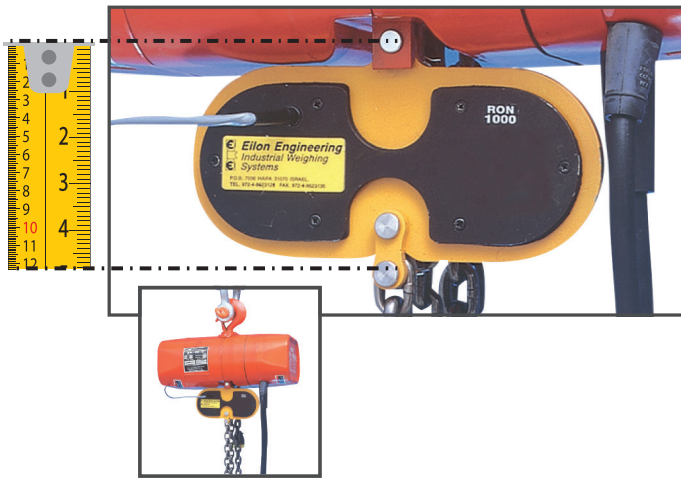
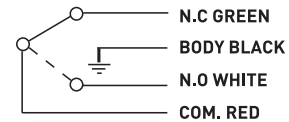
Overload Detection Point: Default: 100% to 110% of capacity.

Temperature Range: -4°F to +175°F (-20°C to +80°C).

Cable Length: 9.5' (3m).

Material: High strength steel.

Wiring:



Cat no.	Capacity (for one chain fall)		Chain size		K		L		M Max		N Max		O Max		P Max	
	tons		mm	inch	mm.	inch	mm.	inch	mm.	inch	mm.	inch	mm.	inch	mm.	inch
C-7	1.25		6mm / 7mm	1/4	8	0.31	12	0.47	115	4.5	20	0.79	6.5	0.26	19	0.75
C-9	1.6		8mm / 9mm	5/16 3/8	10	0.39	16	0.63	120	4.7	25	1	8.5	0.34	21	0.83
C-11	2		10mm / 11mm	7/16	12	0.47	17	0.67	122	4.8	30	1.2	10.5	0.41	23	0.91

OPTIONS



> Additional detection point.

> The company reserves the right to make changes without notice.

Overload Detection

Ron 1000 Hook Type Overload Detector

TECHNICAL SPECIFICATIONS



Safety Factor: 5:1. Each system proof-loaded to 200% of capacity (certified).

Switching Nature: Normally open and normally closed.

Rating: 0.5A @ 50 VDC, 0.5A @ 125 VAC.

Life Expectancy: Electrical: over 1 million operations. Mechanical: over 5 million operations.

Environment: Weatherproof, NEMA 4, IP 65.

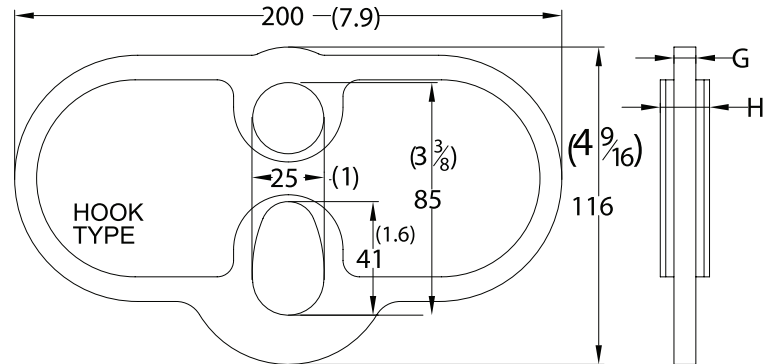
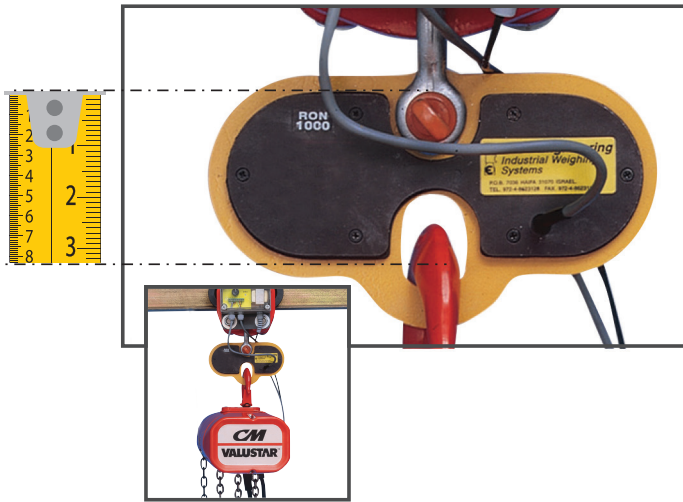
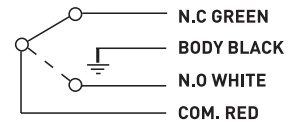
Overload Detection Point: Default: 100% to 110% of capacity.

Temperature Range: -4°F to +175°F (-20°C to + 80°C).

Cable Length: 9.5' (3m).

Material: High strength steel.

Wiring:



Cat no.	Capacity	G Max		H Max	
	tons	mm.	inch	mm.	inch
H-002	0.25	7	5/16	19	3/4
H-005	0.5	7	5/16	19	3/4
H-007	0.75	7	5/16	19	3/4
H-008	0.8	7	5/16	19	3/4

Cat no.	Capacity	G Max		H Max	
	tons	mm.	inch	mm.	inch
H-01	1	7	5/16	19	3/4
H-012	1.25	7	5/16	19	3/4
H-015	1.5	9	3/8	21	13/16
H-016	1.6	9	3/8	21	13/16

OPTIONS



> Additional detection point.

> The company reserves the right to make changes without notice.

Load Monitoring - Load Cells

Ron 4000 Load Cell with built-in Amplifier

Ron 4000C 4-20mA Output | **Ron 4000V** 0-2V Output

ADVANTAGES



5 year warranty

Portable: Lightweight and small. Available with Pelican™ carrying case.

High Linearity: $\pm 0.1\%$ of full range.

Quality Materials: Exclusive use of high strength aerospace quality steel for load cell bodies.

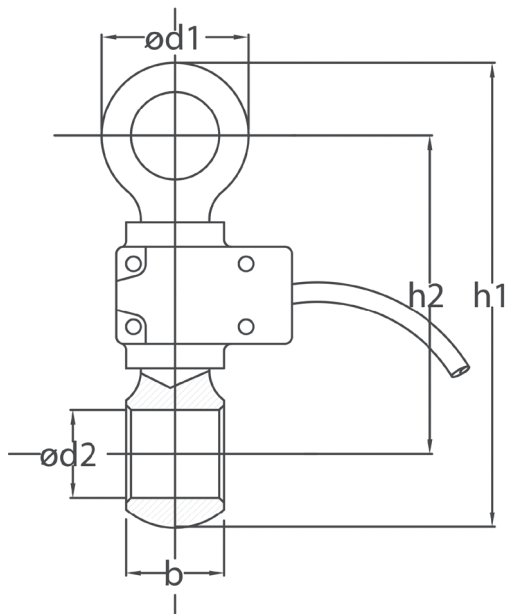
Robust: Heavy duty designs.

Amplified: Built in amplifier for easy integration with controllers.

Fatigue rated: All Eilon Engineering load cells are Fatigue Rated according to ASME BTH-1 and IEC 61508. Fatigue Rated means an unlimited number of load cycles (Provided capacity is not exceeded).

Short delivery time: In most cases 48-72 hours.

More than 45 years in the market with repeat customers such as NASA, Boeing, Cirque du Soleil, Disney, GE, Lockheed Martin, other Fortune 500 companies, as well as numerous small businesses.



TECHNICAL SPECIFICATIONS



Safety Factor: 5:1

Linearity: $\pm 0.1\%$ of full range.

Load Cell Material: high-strength, aerospace quality, alloy steel, polyurethane coated.

Proof Load: Each system proof-loaded to 200% of capacity (certified) up to a test force of 400t.

Outputs: 0-2V. Options: 4-20mA, 0-2V+4-20mA (Factory Set).

Cable: supplied with 9' (3m) cable.

Temperature Range: -15°f to $+175^{\circ}\text{f}$ (-25°c to $+80^{\circ}\text{c}$).

Environmental: Weatherproof, NEMA 4, IP 65.

Calibration: Supplied with approximate calibration (final calibration is performed by the customer, after connecting the load cell to the measuring / control system).

Zero load: $0\pm 0.05\text{v}$, $4\pm 0.2\text{mA}$.

Full load; $2\pm 0.1\text{v}$, $20\pm 1\text{mA}$.

Max. Input Current: 100mA.

Input Voltage: 12-36 VDC.

Wiring:

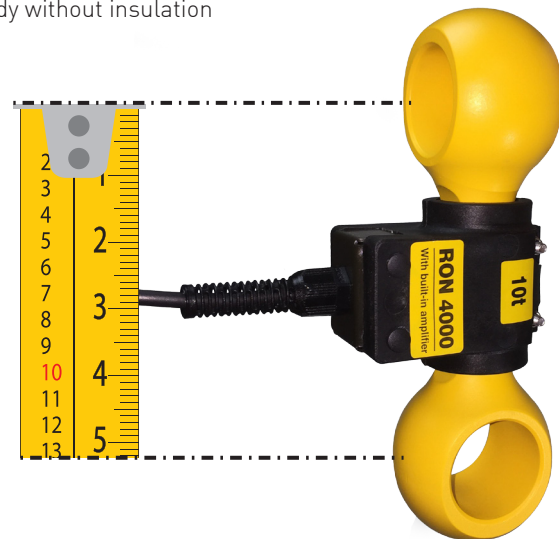
Input voltage Red

Common Black

Output V White

Output A Green

Body without insulation



Cat no.	Full range	Load Cell weight		H1 (max.)		H2 (max.)		B (max.)		L		Ø D1 (max.)		Ø D2 (min.)		Matching anchor shackle size*
	tons	kgs	lbs	mm	inch	mm	inch	mm	inch	mm	inch	mm	inch	mm	inch	inch
S-005	0.5	0.3	0.7	125	4.9	92	3.7	16	0.7	31	1.3	17	0.66	17	0.66	1/2 7/16 3/8
S-01	1	0.3	0.7	125	4.9	92	3.7	16	0.7	31	1.3	17	0.66	17	0.66	1/2 7/16 3/8
S-02	2	0.3	0.7	125	4.9	92	3.7	16	0.7	31	1.3	17	0.66	17	0.66	1/2 7/16 3/8
S-03	3	0.3	0.7	137	5.4	100	4	19	0.75	38	1.5	21	0.82	21	0.82	5/8 1/2
S-05	5	0.5	1	147	5.8	105	4.2	26	1	43	1.7	23	0.9	23	0.91	3/4 5/8
S-10	10	1.4	3.1	195	7.7	131	5.2	41	1.6	61	2.4	36	1.4	36	1.4	1 1/4 1 1/8 1
S-12	12.5	1.4	3.1	195	7.7	131	5.2	41	1.6	61	2.4	36	1.4	36	1.4	1 1/4 1 1/8 1
S-15	15	2.5	5.5	220	8.7	141	5.6	45	1.7	74	3	40	1.5	40	1.5	1 3/8 1 1/4 1 1/8
S-20	20	2.5	5.5	220	8.7	141	5.6	45	1.7	74	3	40	1.5	40	1.5	1 3/8
S-25	25	3.7	8	240	9.4	150	5.9	58	2.3	87	3.4	44	1.7	44	1.7	1 1/2
S-30	30	3.7	8	240	9.4	150	5.9	58	2.3	87	3.4	44	1.7	44	1.7	1 1/2
S-40	40	8	17	320	12.6	195	7.7	71	2.8	115	4.5	60	2.3	59	2.3	2 1 3/4
S-50	50	8	17	320	12.6	195	7.7	71	2.8	115	4.5	60	2.3	59	2.3	2
S-80	80	18	40	405	16.9	255	10	97	3.8	145	5.7	76	3	74	2.9	2 1/2
S-100	100	28	60	450	17.7	275	10.8	121	4.8	165	6.5	81	3.18	84	3.3	Widebody 125t
S-125	125	28	60	450	17.7	275	10.8	121	4.8	165	6.5	81	3.18	84	3.3	Widebody 125t
S-150	150	57	121	575	22.6	350	13.8	145	5.7	210	8.3	106	4.2	106	4.2	Widebody 200t
S-200	200	57	121	575	22.6	350	13.8	145	5.7	210	8.3	106	4.2	106	4.2	Widebody 200t
S-250	250	106	225	800	31.5	490	19.3	178	7	260	10.2	138	5.4	138	5.4	Widebody 250t or 300t
S-300	300	106	225	800	31.5	490	19.3	178	7	260	10.2	138	5.4	138	5.4	Widebody 300t

> USE SHACKLES WITH S.W.L. (SAFE WORKING LOAD) EQUAL TO, OR GREATER THAN SYSTEM'S FULL RANGE.

> The company reserves the right to make changes without notice.

OPTIONS



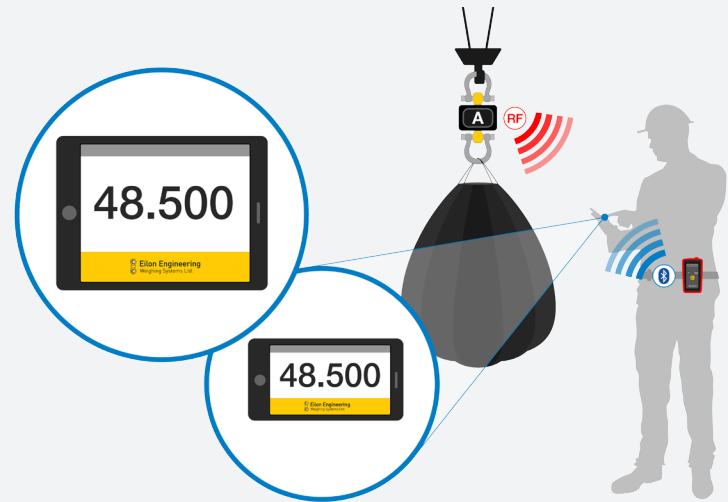
> Carrying case: Pelican or equivalent.

Load monitoring of single and multiple lifting points:

Single Point Load Monitoring:

Use your SMARTPHONE or TABLET as an indicator to view measurements from a single crane or hoist.

The load cell transmits measurements over RF to the portable receiver, which transmits them via Bluetooth to the smartphone / tablet.



Dual Point Load Monitoring:

Use your SMARTPHONE or TABLET as an indicator to view the measurements from two points individually, as well as the sum of their loads.

Display loads as a **real-time load map**.

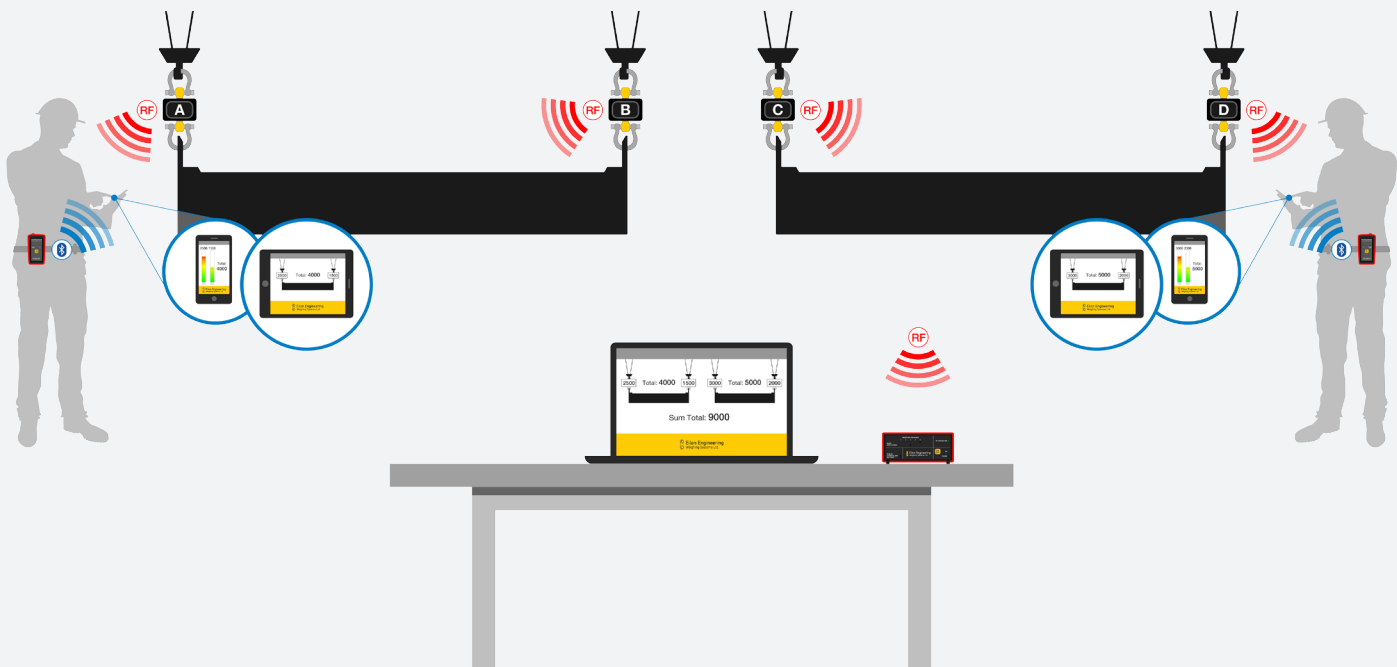


Multiple Point Load Monitoring:

Monitor multiple load points simultaneously from your SMARTPHONE, TABLET or LAPTOP. Display their individual measurements, as well as the sum of multiple user - configurable points.

View all measurements as a **real-time load map**.

In addition, monitor up to 200 load points from a PC in your control room - using a real time load map, or monitor each load cell individually.



Applications & Customers

Proof loading



Weighing in foundries



Bollard pull test



Controlled cable tension



Weighing during manufacturing



Wind Turbine



Offshore applications



NASA & Aerospace Industries



NASA & Aerospace Industries



NASA & Aerospace Industries



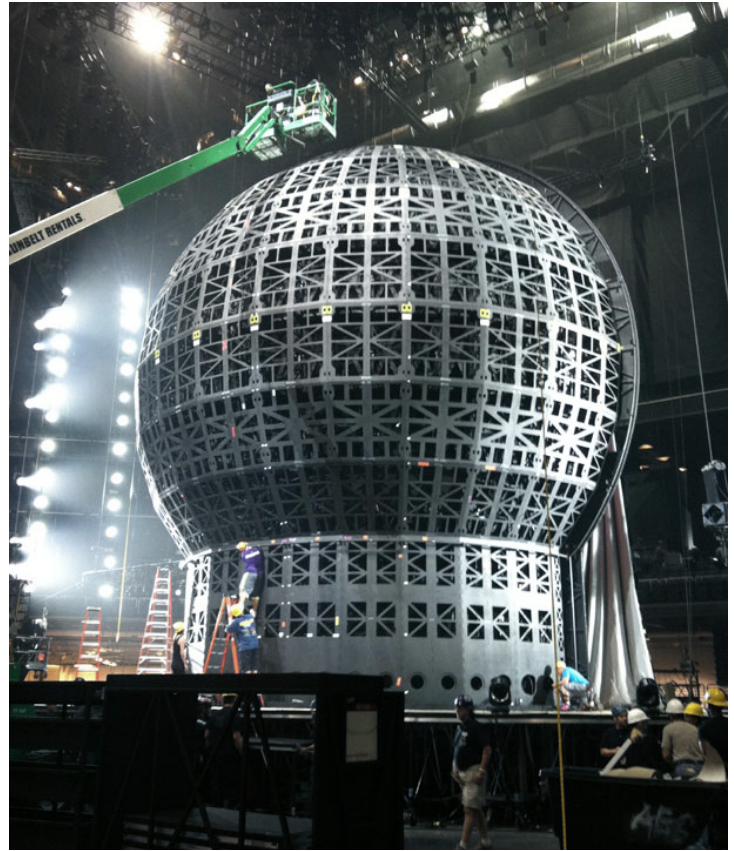
Dual point load monitoring



Even polar bears



Multi point load monitoring



Multi point load monitoring



45
Years

OF MEASURING
EXCELLENCE

Eilon Engineering Weighing Systems
Int'l Phone: 1-888-778-8064 (USA & Canada toll free)
E-mail: sales@eilon-engineering.com
www.EilonEngineering.com

