

Akzion

Engineering
Lifting Equipment
Technical Services

BEAMS



AXZION - Intelligent Lifting Equipment

Exact planning guarantees perfect function

AXZION-GKS is a member of the SpanSet Group, the specialists for lifting and securing loads. As a manufacturer, we are able to find and implement the right solution. Certified welders, production support by experienced welding engineers, modern production machines. The right advice is always a question of your own possibilities. More than twenty experienced load-bearing designers with special knowledge in the areas of „statics“, „welding“ and „drive technology“ design the optimum solution for your needs.

AXZION-GKS offers everything from a single source

Development, production and service are closely interwoven and the design is optimally adapted to modern production possibilities. Our service provides immediate assistance when there are problems. Your employees can be trained personally in the use of the load-bearing equipment we supply.

We assume responsibility

As a manufacturer, we assume „responsibility for the design and manufacture of a product“. From the manufacturer’s qualification for welding according to DIN EN ISO 3834-2 and the manufacturer certification according to DIN EN 1090-1 up to factory production control for load-bearing components up to EXC3 according to EN 1090-2 and a quality management system according to DIN EN ISO 9001: you are

buying from a company that operates in complete conformity to standards.

Even full assemblies can be completely delivered in a very short time including acceptance, e.g. by DEKRA or DNV GL and load testing on internal test benches (600 t and 1,800 t).

AXZION-GKS is approved for class EXC 3. Companies within the scope of class EXC 3 must have a qualified welding supervisor and certified welders with a valid welder test certificate according to DIN EN 287-1 resp. DIN EN ISO 9606-1, as well as welding procedures implemented with a valid qualification (WPQR).

We would like to give you more information
Request our company brochure at:
info@axzion.de



Details for the specialization of the LAM at a glance:

- ✓ Planned service life
- ✓ Number of load changes (> 20 thousand)
- ✓ Load change per lifting operation
- ✓ Additional components
- ✓ Operating temperature
- ✓ Lifting speed (> 10 m / min)
- ✓ Acceptance by test laboratory
- ✓ Other operating conditions

Unless stated otherwise, the load-bearing device is listed in the following range:

- ✓ Classified according to DIN EN 13155.
- ✓ Designed for a crane speed of „V crane max.“ 10 m / min.
- ✓ And designed for <20,000 load changes.

The correct configuration of your AXZION load-bearing equipment

How you get the best load-bearing equipment by specializing

The right design of your load-bearing equipment

Designing a load-bearing device

The number of load changes is crucial. The designer of a load-bearing device must, in cooperation with the user, determine whether DIN EN 13155 „Cranes - Safety - Loose load-bearing devices“ can be used or whether the design of the load-bearing devices must be done according to DIN EN 13001 „Cranes - Construction in General - Part 1: General principles and requirements“. A projection of the usage intensity is therefore required for a correct design of the load-bearing device. Factors for the design are the „Planned service life“, „lifting operations per day“ and the „load changes per lifting operation“. Not all load lifting devices are used together with a crane (see „Lifting speed“).

The right components

Steel, hydraulics, electric, etc. : A safe and good solution can only be manufactured with good components. We have only worked together with the best steel and construction steel suppliers for many years. This always includes the complete documentation of all components in the scope of delivery for load lifting devices. This is just as important as the delivered assembly itself. The manufacturer requires at least one inspection test certificate 3.1 - according to DIN EN 10204 - for all materials used. All material certificates and test reports as well as their cross-references are managed or archived by our IT department.

The operating conditions of your load-bearing device

Operating temperatures

The normal load-bearing device is used in a temperature range of -10° C to +60° C. When used outdoors, temperatures down to - 20 ° C can be reached. In some regions of the world, even down to - 40° C is possible. In this case, low-temperature steels are used.

When transporting hot loads, however, very high application temperatures are possible. Special steels have to be used here which are suitable for these conditions of use.

Lifting speed

A load lifting device must be designed for the lifting speeds that occur. Usually max. 10 m/min. In order to speed up the loading process, significantly higher speeds are possible, for example, in cargo shipment companies (ports, steelworks, etc.), which must be known during the design.

An important and widespread use is the use of the load lifting devices together with a **forklift truck**. Here, the dynamic loads of the load lifting devices are significantly higher. The lifting speed is usually much higher than with a normal crane.

Wind and waves occurring as dynamic forces can be enormous. The requirements for load-bearing equipment are particularly high when used on the high seas, i.e. offshore. Construction design and execution are strictly monitored.

Checking and documentation of your load-bearing equipment

Material and process tests mean additional safety. Our work is checked by our own or independent auditors using the latest test equipment. All certifications are available. During production, we do our own inspections (e.g. magnetic powder testing, dye penetration testing, ultrasonic testing, notch impact bending test). The required final tests are always carried out by a neutral test institute.

Load test

AXZION-GKS works closely and in partnership with major testing organisations such as TÜV, DEKRA, Lloyd’s Register and DNV GL.

Testing is done on one of the two in-house test benches. The system, which has been located at Langenfeld for many years, has a tensile pulling force of 600 tonnes. At the Neustrelitz site, very large lifting structures can be tested with a tensile force of up to 1,800 tonnes. The load tests are done by manual operation or computer-controlled with analysis. In this way, load-bearing devices can be tested quietly under absolutely realistic operating conditions.

Documentation

The documentation is as important as the manufactured product. Complete documentation is always included in the scope of delivery of a load-bearing device. The information and the scope must correspond to the current state of the Lifting Equipment and must include the proof of the quality of the components and materials used and the tests carried out.

AXZION-DocuManager

Documents from various sources are combined, documented and archived with the in-house document management system. The partially automated document management includes a ticket system and a sharing interface, which organises the workflow between the customer and the manufacturer.



Proper checking of your load-bearing device

DGVU rules 100-500 (BGR500 chapter 2.8): Operating load-lifting devices in lifting operations

DGVU rules are aimed primarily at the employer and are intended to provide him with assistance with the implementation of his obligations under state employment protection regulations or accident prevention regulations as well as methods to prevent such things as accidents at work, occupational diseases and work-related diseases.

Periodic inspections of the delivered load-bearing devices allow safe working and extended use. Type, scope and deadlines are comprehensively regulated in the **DGVU rules 100-500 Chapter 2.8**:

Inspections

According to § 3 para. 3 of the Occupational Safety and Health Ordinance, the employer shall determine the nature, scope and deadlines of necessary inspections and tests of the work equipment used. These tests are intended to systematically identify and eliminate safety deficiencies. The employer also establishes the prerequisites that the persons appointed by him have to fulfil („Qualified Persons“). The nature, scope and deadlines of the examinations are the best practice and comply with the rules of technology.

Inspection before initial commissioning

The contractor shall ensure that load-bearing equipment is only put into operation when inspected by a qualified person and after any defects have been remedied. The qualified person is someone who, due to his professional training and experience, has sufficient knowledge in the field of load-bearing devices and has knowledge of the relevant state work protection regulations (e.g. union rules, DIN standards, VDI regulations, technical regulations of other member states of the European Union or of other states parties to the Agreement on the European Economic Area)

to the extent that he can assess the safe working condition of load-bearing devices.

The test must be organised by the operator prior to the first commissioning. A hazard assessment and operating instructions must be drawn up within the scope of this test.

Periodic inspections

The company shall ensure that load-bearing equipment is inspected at intervals of at least one year by a qualified person. Inspections at intervals shorter than a year may be required depending on the operating conditions of the load-bearing equipment. This applies, for example, in case of particularly frequent use, increased wear, corrosion, heat or if an increased susceptibility to failure is to be expected.

Scope of inspection

The inspection before the first commissioning and regular inspections mainly constitutes visual and functional tests. These tests shall extend to the examination of the condition of the components and devices, to the correct assembly, as well as to the completeness and effectiveness of the safety devices:

- breakages, deformations or cracks
 - damage, severe wear
 - corrosion damage
 - malfunction of safety devices
- Before the visual and functional test, the load-bearing device may require cleaning.

Proof of inspection and maintenance

The professional association may request proof of inspection for other inspections in some individual cases. For load-bearing devices, the proof should be combined with the test certificate of the hoist. The inspection certificates must be presented at the request of the supervisor. It is therefore necessary to store them within reach at all times. The corresponding regulations for inspection (also see DGVU rules 100-500) apply to the supplied or connected accessory parts such as hoisting means (lifting straps slings, chains, wire cables, etc.) and connecting devices (shackle, hooks, etc.)

The company shall ensure that repair work on load-bearing equipment is carried out only by persons who have the necessary knowledge and abilities.



Checklist for checking your load-bearing device:

01 Preparation

- ✓ Operating instructions available
- ✓ Documentation available
- ✓ „Qualified person“ has the corresponding knowledge
- ✓ LAM assembled type-approved
- ✓ LAM cleaned for testing

02 Performance of test

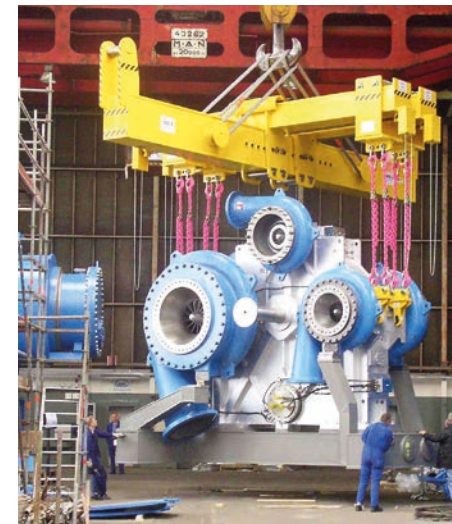
- ✓ No cracks, breaks or deformations
- ✓ No excessive wear
- ✓ No corrosion damage
- ✓ Safety device functional
- ✓ Movable components move freely

03 Regular measures

- ✓ Record the test in the test certificate
- ✓ Check for proper storage
- ✓ Record the next maintenance date
- ✓ Complete the maintenance contract

Important reminder for repairs to your load-bearing device (DGVU rules 100-500):

The contractor must ensure that repair work on load-bearing equipment is carried out only by persons who have the necessary knowledge and skills.



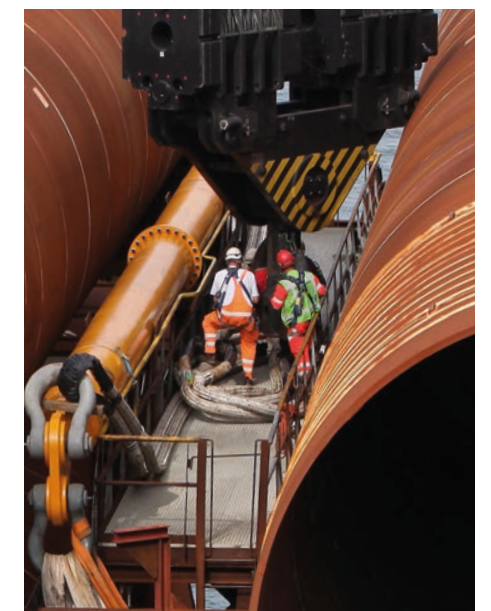
Information about an AXZION maintenance contract:

- ✓ Legally prescribed maintenance
- ✓ Reduced downtime
- ✓ Suitable spare parts
- ✓ Long service life of the AXZION LAM
- ✓ Proper rectification of defects
- ✓ Maximum operational reliability
- ✓ Reduced repair costs
- ✓ Emergency assistance (24/7)

AXZION LAM service

Our technical service team supports you and your load-bearing device on-site. Benefit from the competence of our employees.

We will prepare an individually customised offer for these load-bearing devices. Once the contract has been agreed upon, we will set up the first maintenance appointment and for future maintenance intervals. Benefit from regular, professional inspection of your Lifting equipment .





Frame beam with 4-strand chain suspension
With welded hooks and secutex hoisting straps for bundled steel profiles



Spreader beam suspension connection
below the centre of load point

Beams, assembly, crane and load side design

Bar-shaped beams are used for even loads (bar steel, girders etc.). If the loads are bulky (machines, crates, etc.), then a spatial beam is selected, which could be among other things, a H-frame or a frame beam.

Suspension on the crane side

The crane-side suspension is oriented mainly based on the type of the existing crane hook. There are many suitable variants, whether for simple hooks or double hooks. Bolt and eye suspensions are adapted to the respective crane hook size. The Vario suspension with high-strength suspension ring is simple and can also be retrofitted for almost any crane hook. Sometimes you do not know what the lifting conditions are yet. Welding points, shackles or double bollards allow for the subsequent and simple assembly of existing suspension. Adaptation to

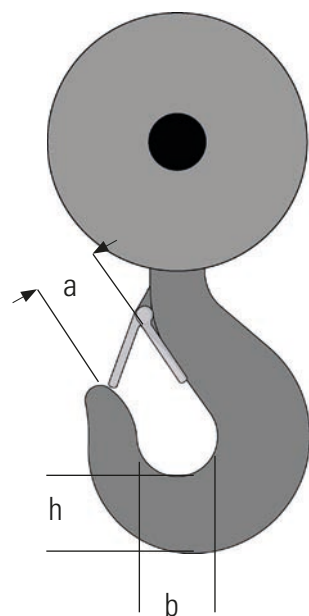
an existing crane hook height and type is thus not a problem.

Lifting points on the load side

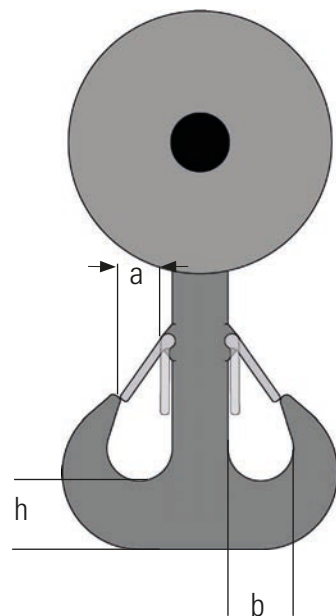
The load-side hoisting points are selected according to the type and number of the hoisting devices. Shackles or bolts are used for the direct connection to the load. Simple hooks or rotating hooks are used when using suspension gear with a central suspension head. If lifting straps or wire cables with end loops are used, then welding hooks are the optimal solution. For large round slings or wire cable grumets, we recommend double bollards with a large contact radius. If the size of the load changes, then adjustable hoisting points should be used. An appropriate position-

ing also makes it possible to adapt to an off-centre load point. Please pay attention to the uneven load distribution here. The self-adjusting version automatically adjusts itself to the respective distance. This solution saves time and is particularly safe. Selection of crane hooks according to DIN 15401 and DIN 15402.

Selection of crane hooks according to DIN 15401 and DIN 15402



Hook number z.B. GSN xx z.B. STB xx	Dimen- sion b [mm]	Dimen- sion h [mm]	Hook jaw width when open, dimen- sion a [mm]
05	24	31	28
08	29	37	34
1	32	40	34
1,6	38	48	40
2,5	45	58	41
4	53	67	49
5	60	75	55
6	67	85	55
8	75	95	69
10	85	106	76
12	95	118	84
16	106	132	97
20	118	150	110
25	132	170	132
32	150	190	137
40	170	212	167
50	190	236	188
63	212	265	
80	236	300	
100	265	335	
125	300	375	



Hook number z.B. GSN xx z.B. STB xx	Dimen- sion b [mm]	Dimen- sion h [mm]	Hook jaw width when open, dimen- sion a[mm]
05	22	27	
08	26	33	
1	28	36	
1,6	34	43	
2,5	40	50	30
4	48	60	31
5	53	67	38
6	60	75	48
8	67	85	47
10	75	95	57
12	85	106	60
16	95	118	63
20	106	132	73
25	118	150	87
32	132	170	108
40	150	190	112
50	170	212	130
63	190	236	
80	212	265	
100	236	300	
125	265	335	

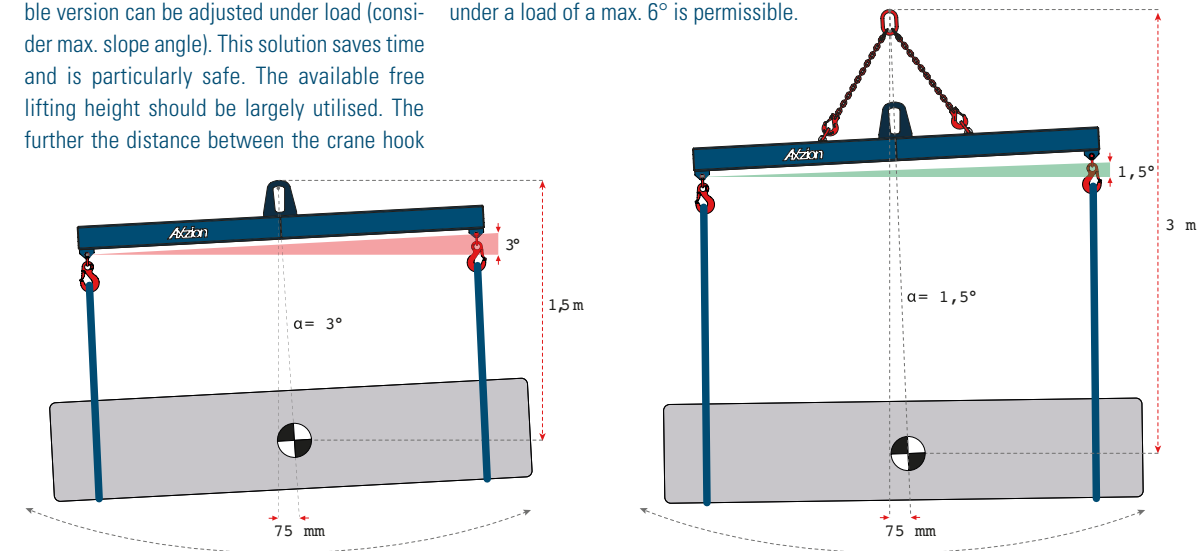
Important information about the subject of „skewing under load“

The load centre is always exactly under the crane hook. With an eccentric load centre, the beam is inclined. An adjustable suspension should be selected here. The spindle-adjustable version can be adjusted under load (consider max. slope angle). This solution saves time and is particularly safe. The available free lifting height should be largely utilised. The further the distance between the crane hook

and the load centre is, the smaller the inclination of the beam is with a eccentric load centre. Select round sling or chain suspension here. According to EN 13155, an inclination under a load of a max. 6° is permissible.

Rule of thumb:

Use the crane height: If the distance between the „crane hook and the centre of mass“ is doubled, the incline angle is halved.

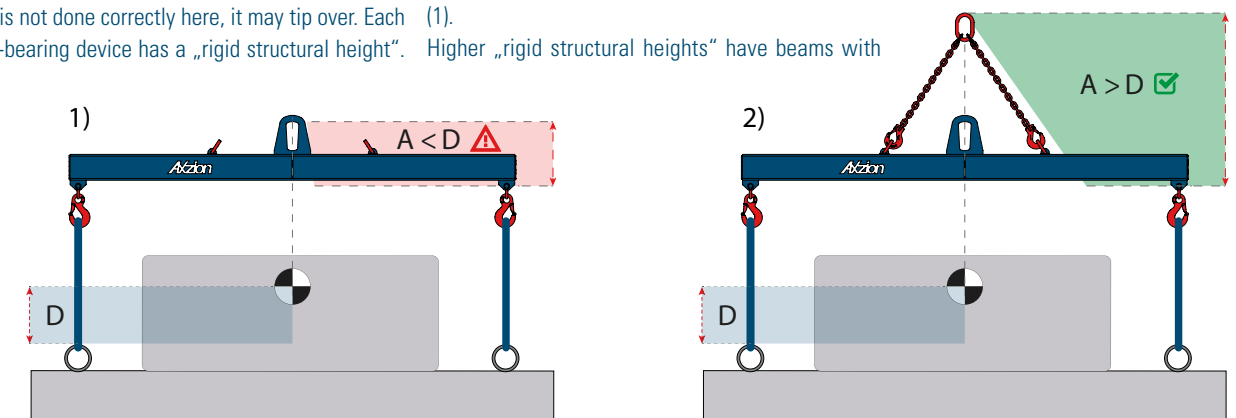


Important information regarding the subject of „risk of tipping over when connecting below the load of mass“

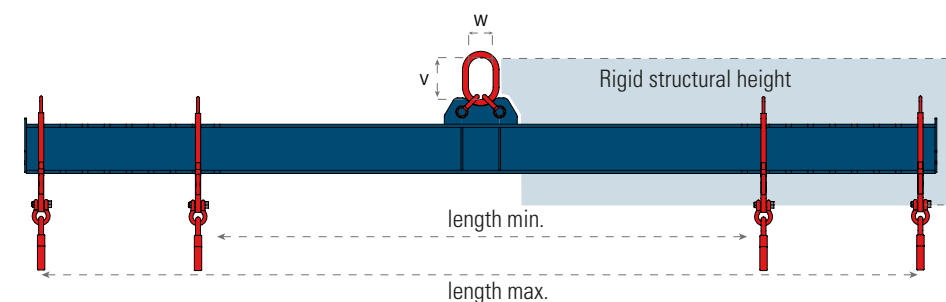
When connecting the load, the height of the centre load bearing point must always be observed and subjected to critical assessment. It is harmless if the centre of mass is lower than the hoisting points. There is a danger of rollover if the centre of mass is above the hoisting points. Caution: If the connection is not done correctly here, it may tip over. Each load-bearing device has a „rigid structural height“.

The rigid structural height is the dimension between the „contact point of the crane hook and the next underlying hinge point“, i.e. the height range of the beam below the crane hook, which cannot change geometrically when the load is oscillating. Low „rigid structural heights“ have beams with higher „rigid structural heights“ have beams with

a multi-strand suspension (2). **The rigid structural height (A) of the beam must always be significantly larger than the dimension „lifting point up to the height of the load centre“ (D).** For H-frames both spatial axes must be assessed.



Nomenclature of the bar beam



Why do you need a beam?

- ✓ For reducing and avoiding incline angles.
- ✓ Reduction of the forces acting on the hoisting points and the lifting devices
- ✓ Reduction of the structural and useable heights.
- ✓ Reduction of the pendulum movements and skewing of the load.
- ✓ Protection of the goods to be transported.

Configure your beam yourself!

Construction

The design of the beam depends on the load, as well as the number and position of the load-side hoisting points.

Bar beam: For narrow and long loads (bar steel, beam, etc.). The load-side hoisting points lie on one axis.

H-frame: Voluminous / spatial loads (machines, crates, etc.). Several load-side hoisting points lie on one level.

Load centre of mass

The load centre is always exactly under the crane hook. Thus, when the load distribution is uneven, the beam and the load are inclined. The maximum permitted inclination of 6° in accordance with DIN 13155 must be observed here.

Crane side: adjustable suspension should be selected here. The spindle-adjustable version can easily be adjusted under load (consider max. slope angle). This solution saves time and is particularly safe. An adjustable shackle suspension or

a 2-strand chain that can be shortened cannot be adjusted under load. In this case, the beam hangs in the empty state here at an angle. The original setting must often also be corrected several times.

Load side: Setting the beam by adjusting the hoisting points asymmetrically to the crane suspension. In this case, it must be noted that the load-side connection points will not be evenly loaded. It may mean the beam has to be dimensioned to be stronger. In the case of an H-frame, ensure that the load on the hoisting points are evenly distributed, as otherwise the beam can be damaged.

Determine the design and paint

Design of the beam

Load changes <20,000: Design according to DIN EN 13155 (standard)

Load change > 20,000: Design according to DIN EN 13001

Special cases (please request)

Offshore: individual design according to operating conditions and certification company

USA: Production and design according to ASME „Design of Below the Hook Lifting Devices“

Russia: GOST Certificate / EAC TR CU Declaration of Conformity


Temperature: Cold range (<0 ° C) or warm range (> 80 ° C)

Crane speed: >10m/min.

When selecting the components, our load-bearing specialists would be very pleased to help: info@axzion.de

Determine the design and paint

 AXZION blue
Reflective warning strip (standard)

 Standard yellow
Black warning strips, without surcharge

 Special colour, surcharge

A Crane-side suspension
Select the appropriate hoisting point for your application

B Design
Load capacity <250 kg to 200t
Length 0.5m - 18m
Load change <20,000 according to DIN 13155 (standard)
Load change >20,000 according to DIN EN 13001

C Load-side hoisting points
Select the appropriate anchor points for your load-bearing device

D Suitable hoisting points, service and safe storage
Choose from a variety of useful accessories and services, such as the maintenance service or the overload test, etc.

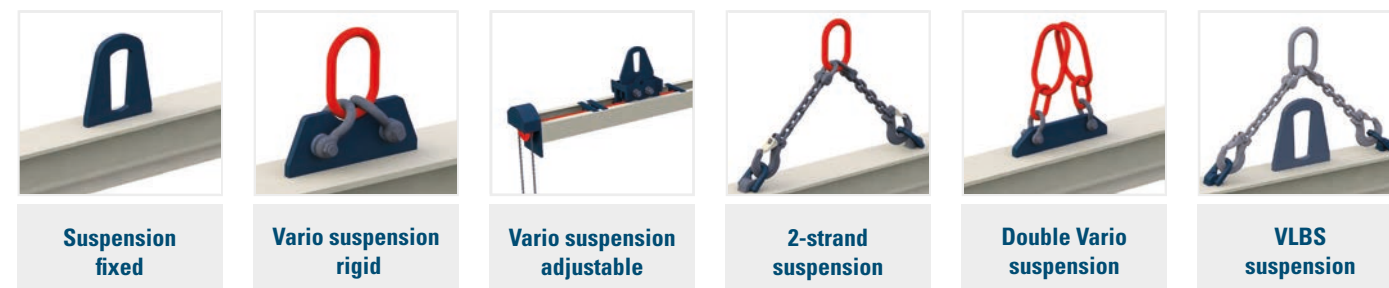


Choose: suspension, crane-side

The crane-side suspension depends mainly on the type of crane hook available and the available crane height. It should be noted that hooks installed in modern crane systems are becoming increasingly compact due to the use of high-strength steels. Simple rigid eye suspensions (fixed eye suspension)

are often no longer suitable here. Possible risk of tipping when the load is below the centre of mass. Be sure to observe the safety instructions.

Practical TIP: In addition to the normal suspension, select 2 VLBS. The beam is much more stable in combination with an additional two-strand suspension.

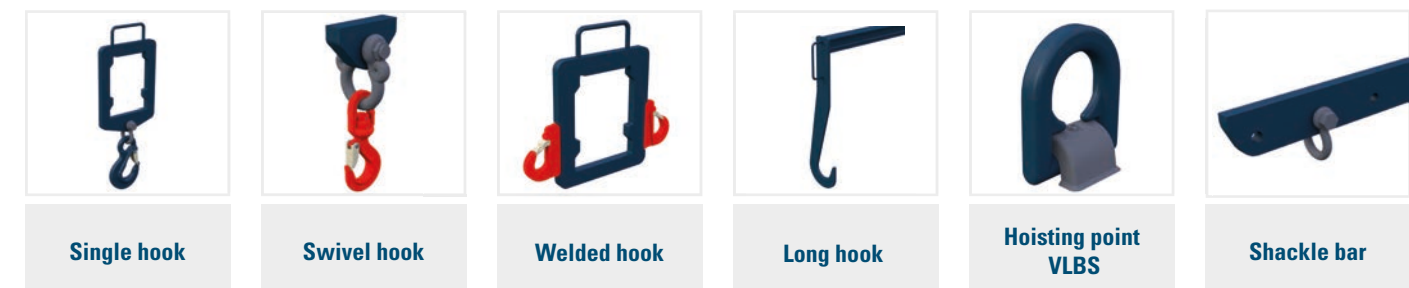


Select: hoisting points, load side

The load-side hoisting points are selected according to the type and number of the lifting devices. If the load centre is unclear, the size of the load changes and then the adjustable hoisting points should be used.

The self-adjusting version automatically adjusts itself to the respective distance. This solution saves time and is particularly safe.

Practical TIP: The adjustment of the hoisting points takes time. In case of an intensive use, several fixed anchor points should be alternatively chosen.



AXZION MODULAR BEAM

For any application - Configure your own beam!
Determine the design and paint



Main beam, rigid



Main beam, adjustable

Main beam, rigid

Main beam, adjustable

	Load capacity [kg]	Length max. [mm]	Dead weight ca. [kg]	Price [EUR]		Load capacity [kg]	Length max. [mm]	Length min. [mm]	Dead weight ca. [kg]	Price [EUR]
ASS 0100 0100 0	1000	1000	7	319,00	ASV 0100 0100 0	1000	1000	500	21	483,40
ASS 0100 0200 0	1000	2000	17	390,00	ASV 0100 0200 0	1000	2000	1000	38	626,00
ASS 0100 0300 0	1000	3000	52	604,30	ASV 0100 0300 0	1000	3000	1500	82	914,50
ASS 0100 0400 0	1000	4000	84	786,20	ASV 0100 0400 0	1000	4000	2000	120	1.167,00
ASS 0100 0500 0	1000	5000	104	910,20	ASV 0100 0500 0	1000	5000	3000	140	1.291,10
ASS 0100 0600 0	1000	6000	163	1.259,90	ASV 0100 0600 0	1000	6000	3000	235	1.906,50
ASS 0200 0100 0	2000	1000	9	334,20	ASV 0200 0100 0	2000	1000	500	26	501,50
ASS 0200 0200 0	2000	2000	43	538,20	ASV 0200 0200 0	2000	2000	1000	71	782,70
ASS 0200 0300 0	2000	3000	83	780,30	ASV 0200 0300 0	2000	3000	1500	120	1.097,90
ASS 0200 0400 0	2000	4000	110	940,20	ASV 0200 0400 0	2000	4000	2000	153	1.328,70
ASS 0200 0500 0	2000	5000	172	1.308,30	ASV 0200 0500 0	2000	5000	3000	218	1.700,20
ASS 0200 0600 0	2000	6000	261	1.818,40	ASV 0200 0600 0	2000	6000	3000	344	2.477,10
ASS 0300 0100 0	3000	1000	12	356,10	ASV 0300 0100 0	3000	1000	500	31	526,30
ASS 0300 0200 0	3000	2000	43	538,40	ASV 0300 0200 0	3000	2000	1000	72	785,10
ASS 0300 0300 0	3000	3000	105	909,60	ASV 0300 0300 0	3000	3000	1500	147	1.234,70
ASS 0300 0400 0	3000	4000	138	1.109,00	ASV 0300 0400 0	3000	4000	2000	187	1.504,90
ASS 0300 0500 0	3000	5000	218	1.569,90	ASV 0300 0500 0	3000	5000	3000	270	1.969,50
ASS 0300 0600 0	3000	6000	314	2.111,70	ASV 0300 0600 0	3000	6000	3000	403	2.778,80
ASS 0500 0100 0	5000	1000	22	413,70	ASV 0500 0100 0	5000	1000	500	57	602,80
ASS 0500 0200 0	5000	2000	71	709,80	ASV 0500 0200 0	5000	2000	1000	124	985,90
ASS 0500 0300 0	5000	3000	133	1.072,90	ASV 0500 0300 0	5000	3000	1500	199	1.427,70
ASS 0500 0400 0	5000	4000	211	1.519,60	ASV 0500 0400 0	5000	4000	2000	290	1.952,10
ASS 0500 0500 0	5000	5000	315	2.105,40	ASV 0500 0500 0	5000	5000	3000	401	2.546,80
ASS 0500 0600 0	5000	6000	439	2.805,10	ASV 0500 0600 0	5000	6000	3000	568	3.519,70
ASS 1000 0100 0	10000	1000	37	510,70	ASV 1000 0100 0	10000	1000	500	103	742,80
ASS 1000 0200 0	10000	2000	109	927,90	ASV 1000 0200 0	10000	2000	1000	202	1.260,00
ASS 1000 0300 0	10000	3000	192	1.403,70	ASV 1000 0300 0	10000	3000	1500	302	1.820,10
ASS 1000 0400 0	10000	4000	344	2.261,30	ASV 1000 0400 0	10000	4000	2000	484	2.776,70
ASS 1000 0500 0	10000	5000	478	3.009,80	ASV 1000 0500 0	10000	5000	3000	630	3.540,10
ASS 1000 0600 0	10000	6000	633	3.877,70	ASV 1000 0600 0	10000	6000	3000	832	4.687,70
ASS 2000 0100 0	20000	1000	58	632,00	ASV 2000 0100 0	20000	1000	500	186	944,80
ASS 2000 0200 0	20000	2000	178	1.322,00	ASV 2000 0200 0	20000	2000	1000	365	1.778,70
ASS 2000 0300 0	20000	3000	324	2.144,90	ASV 2000 0300 0	20000	3000	1500	555	2.720,30
ASS 2000 0400 0	20000	4000	526	3.254,90	ASV 2000 0400 0	20000	4000	2000	792	3.935,30
ASS 2000 0500 0	20000	5000	731	4.369,70	ASV 2000 0500 0	20000	5000	3000	1008	5.058,10
ASS 2000 0600 0	20000	6000	953	5.580,10	ASV 2000 0600 0	20000	6000	3000	1276	6.540,80

For any application - Configure your own beam!
Determine the design and paint

AXZION MODULAR BEAM



Cross beam, rigid



Cross beam, adjustable


Cross beam, rigid

Cross beam, adjustable

	Load capacity [kg]	Length max. [mm]	Dead weight ca. [kg]	Price [EUR]		Load capacity [kg]	Length max. [mm]	Length min. [mm]	Dead weight ca. [kg]	Price [EUR]
AQS 0050 0050 0	500	500	8	422,90	AQV 0050 0050 0	500	500	300	20	577,50
AQS 0050 0100 0	500	1000	11	450,20	AQV 0050 0100 0	500	1000	500	26	666,50
AQS 0050 0200 0	500	2000	17	508,10	AQV 0050 0200 0	500	2000	1000	39	818,10
AQS 0050 0300 0	500	3000	30	610,50	AQV 0050 0300 0	500	3000	1500	59	1.015,80
AQS 0050 0400 0	500	4000	49	751,80	AQV 0050 0400 0	500	4000	2000	84	1.249,50
AQS 0050 0500 0	500	5000	59	838,60	AQV 0050 0500 0	500	5000	3000	95	1.319,70
AQS 0100 0050 0	1000	500	8	537,90	AQV 0100 0050 0	1000	500	300	20	577,50
AQS 0100 0100 0	1000	1000	11	566,70	AQV 0100 0100 0	1000	1000	500	26	666,50
AQS 0100 0200 0	1000	2000	22	507,50	AQV 0100 0200 0	1000	2000	1000	45	850,90
AQS 0100 0300 0	1000	3000	57	733,60	AQV 0100 0300 0	1000	3000	1500	88	1.181,30
AQS 0100 0400 0	1000	4000	89	930,30	AQV 0100 0400 0	1000	4000	2000	126	1.472,70
AQS 0100 0500 0	1000	5000	109	1.070,00	AQV 0100 0500 0	1000	5000	3000	147	1.596,80
AQS 0200 0050 0	2000	500	12	574,80	AQV 0200 0050 0	2000	500	300	25	599,50
AQS 0200 0100 0	2000	1000	18	626,40	AQV 0200 0100 0	2000	1000	500	37	710,50
AQS 0200 0200 0	2000	2000	52	688,20	AQV 0200 0200 0	2000	2000	1000	82	1.036,70
AQS 0200 0300 0	2000	3000	93	951,30	AQV 0200 0300 0	2000	3000	1500	132	1.398,10
AQS 0200 0400 0	2000	4000	119	1.124,20	AQV 0200 0400 0	2000	4000	2000	165	1.667,00
AQS 0200 0500 0	2000	5000	182	1.513,90	AQV 0200 0500 0	2000	5000	3000	232	2.046,80
AQS 0300 0050 0	3000	500	14	598,70	AQV 0300 0050 0	3000	500	300	30	617,40
AQS 0300 0100 0	3000	1000	22	671,20	AQV 0300 0100 0	3000	1000	500	43	742,30
AQS 0300 0200 0	3000	2000	52	692,70	AQV 0300 0200 0	3000	2000	1000	84	1.041,10
AQS 0300 0300 0	3000	3000	114	1.093,70	AQV 0300 0300 0	3000	3000	1500	161	1.545,10
AQS 0300 0400 0	3000	4000	148	1.304,90	AQV 0300 0400 0	3000	4000	2000	201	1.853,80
AQS 0300 0500 0	3000	5000	227	1.788,80	AQV 0300 0500 0	3000	5000	3000	286	2.327,20
AQS 0500 0050 0	5000	500	27	729,90	AQV 0500 0050 0	5000	500	300	54	725,70
AQS 0500 0100 0	5000	1000	42	848,60	AQV 0500 0100 0	5000	1000	500	80	901,50
AQS 0500 0200 0	5000	2000	94	992,30	AQV 0500 0200 0	5000	2000	1000	152	1.352,20
AQS 0500 0300 0	5000	3000	157	1.384,70	AQV 0500 0300 0	5000	3000	1500	229	1.847,50
AQS 0500 0400 0	5000	4000	236	1.861,70	AQV 0500 0400 0	5000	4000	2000	323	2.426,10
AQS 0500 0500 0	5000	5000	339	2.481,50	AQV 0500 0500 0	5000	5000	3000	436	3.037,40
AQS 1000 0050 0	10000	500	40	633,50	AQV 1000 0050 0	10000	500	300	89	845,60
AQS 1000 0100 0	10000	1000	69	836,60	AQV 1000 0100 0	10000	1000	500	142	1.135,70
AQS 1000 0200 0	10000	2000	143	1.296,70	AQV 1000 0200 0	10000	2000	1000	247	1.731,90
AQS 1000 0300 0	10000	3000	226	1.788,00	AQV 1000 0300 0	10000	3000	1500	350	2.351,60
AQS 1000 0400 0	10000	4000	377	2.686,80	AQV 1000 0400 0	10000	4000	2000	538	3.391,60
AQS 1000 0500 0	10000	5000	509	3.449,40	AQV 1000 0500 0	10000	5000	3000	687	4.179,00

EYELET SUSPENSION, RIGID


WLL	Eye height	Eye width	price	
[kg]	V [mm]	W [mm]	[EUR]	
AAS 0100	1000	100	50	128,80
AAS 0300	3000	150	70	163,90
AAS 0500	5000	190	85	211,00
AAS 1000	10000	270	120	330,30
AAS 2000	20000	360	160	737,00



Further sizes available on request!

VARIO SUSPENSION, RIGID

WLL	Eye height	Eye width	price	
[kg]	V [mm]	W [mm]	[EUR]	
VAK 0100	1000	100	60	148,00
VAK 0300	3000	140	80	246,90
VAK 0500	5000	160	95	365,70
VAK 1000	10000	190	110	743,90
VAK 2000	20000	250	150	1448,30



Further sizes available on request!

VARIO SUSPENSION, EXTRA LARGE RING

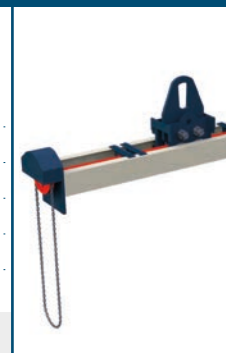
WLL	ring height	ring width	price	
[kg]	[mm]	[mm]	[EUR]	
VAK 0100-16	1000	260	140	219,40
VAK 0200-16	2000	260	140	280,20
VAK 0300-16	3000	260	140	312,10
VAK 0500-16	5000	260	140	373,60
VAK 0800-16	8000	260	140	520,30
VAK 1000-16	10000	260	140	650,40
VAK 0100-25	1000	340	180	229,30
VAK 0200-25	2000	340	180	303,30



Further sizes available on request!

VARIO SUSPENSION, SPINDLE ADJUSTMENT


WLL	Eye height	Eye width	price	
[kg]	V [mm]	W [mm]	[EUR]	
VAK 0100-S	1000	100	60	3.759,80
VAK 0200-S	2000	120	70	3.819,10
VAK 0400-S	4000	140	80	5.064,00
VAK 0750-S	7500	160	95	5.100,30
VAK 1000-S	10000	190	110	6.519,30
VAK 2500-S	25000	250	150	6.803,50



Further sizes available on request!

BOLT SUSPENSION

WLL	clearance width	bolt diameter	price	
[kg]	[mm]	[mm]	[EUR]	
BAS 0100	1000	100	50	161,00
BAS 0200	2000	130	65	189,50
BAS 0300	3000	150	70	205,00
BAS 0500	5000	190	85	264,00
BAS 1000	10000	270	120	413,00
BAS 2000	20000	360	160	921,50



Further sizes available on request!

2 STRAND CHAIN SUSPENSION , VIP TYPE, 1M

WLL	ring height	ring width	price	
[kg]	[mm]	[mm]	[EUR]	
KAH 0210	2100	110	60	445,90
KAH 0350	3500	135	75	504,40
KAH 0560	5600	160	90	619,30
KAH 0950	9500	180	100	913,10
KAH 1400	14000	200	110	1.358,30
KAH 2240	22400	340	180	2.209,80



Further sizes available on request!

DOUBLE VARIO SUSPENSION, EXTRA LARGE RINGS

WLL	ring height	ring width	price	
[kg]	[mm]	[mm]	[EUR]	
VAK 0200-16-2	2000	260	140	438,80
VAK 0400-16-2	4000	260	140	560,40
VAK 0600-16-2	6000	260	140	624,20
VAK 1000-16-2	10000	260	140	747,20
VAK 1600-16-2	16000	260	140	1.040,60
VAK 2000-16-2	20000	260	140	1.300,80



Further sizes available on request!

2 DOUBLE BOLLARDS FOR ROUND SLINGS OR GRUMMETS

WLL	price	
[kg]	[EUR]	
DOP 0100	1000	96,60
DOP 0200	2000	109,00
DOP 0300	3000	113,70
DOP 0500	5000	144,00
DOP 1000	10000	207,30
DOP 2000	20000	481,70



Further sizes available on request!

SINGLE HOOK WITH SHACKLE

WLL	Jaw width	price	
[kg]	[mm]	[EUR]	
EHA 0050	500	18	74,55
EHA 0100	1000	25	83,60
EHA 0150	1500	32	89,90
EHA 0200	2000	36	122,85
EHA 0250	2500	40	138,70
EHA 0500	5000	56	192,40
EHA 1000	10000	80	375,70



Further sizes available on request!

SWIVEL HOOK WITH SLIDE BEARING AND SHACKLE

WLL	Jaw width	price	
[kg]	[mm]	[EUR]	
WHG 0050	500	19	114,50
WHG 0100	1000	19	114,50
WHG 0150	1500	24	122,60
WHG 0200	2000	28	154,75
WHG 0250	2500	33	178,55
WHG 0500	5000	44	260,50
WHG 1000	10000	69	727,45



Further sizes available on request!

SHACKLE PLATE WITH SHACKLE


WLL	price	
[kg]	[EUR]	
SCH 0050	500	65,80
SCH 0100	1000	71,70
SCH 0150	1500	73,10
SCH 0200	2000	101,60
SCH 0250	2500	108,50
SCH 0500	5000	132,50
SCH 1000	10000	222,65



Further sizes available on request!

LONG HOOKS


WLL	Jaw width max.	price	
[kg]	[mm]	[EUR]	
LAH 0050	500	50	149,50
LAH 0100	1000	60	194,50
LAH 0200	2000	80	237,90
LAH 0300	3000	80	281,48
LAH 0500	5000	100	341,40
LAH 1000	10000	150	725,30



Further sizes available on request!

FRAME PLATE ADJUSTABLE WITHOUT SHACKLE


WLL	price	
[kg]	[EUR]	
SBV 0005	500	49,83
SBV 0010	1000	75,18
SBV 0015	1500	87,00
SBV 0025	2500	186,34
SBV 0030	3000	200,14
SBV 0050	5000	330,91
SBV 0100	10000	581,06



Further sizes available on request!

FRAME PLATE ADJUSTABLE WITH 2 SNAP HOOKS

WLL	Jaw width	price	
[kg]	[mm]	[EUR]	
SBV 0005	500	22	95,43
SBV 0010	1000	22	120,78
SBV 0015	1500	25	132,60
SBV 0025	2500	33	337,34
SBV 0030	3000	33	351,14
SBV 0050	5000	43	520,21
SBV 0100	10000	60	928,86



Further sizes available on request!

SHACKLE PLATE SUITABLE FOR SHACKLES


WLL	price per pair	
[kg]	[EUR]	
SLV 0300	3000	162,60
SLV 0500	5000	184,40
SLV 1000	10000	228,00
SLV 2000	20000	424,30



Further sizes available on request!

HOISTING POINT VLBS

WLL	diameter	price	
[kg]	[mm]	[EUR]	
LBS 0150	1500	38	47,80
LBS 0250	2500	45	60,80
LBS 0400	4000	51	68,90
LBS 0670	6700	67	119,30
LBS 1000	10000	67	159,80
LBS 1600	16000	100	286,70



Further sizes available on request!

Information

- The beam is individually adapted to the customer's requirements in the work area
- Supporting capacities: 1000 to 200,000 kg
- Working length: 500 to 20,000 mm
- It is possible to hang a combination of three beams with two sub-beams attached to a top beam

Further product information can be found at: www.axzion.de/Spreader beams

Spreader beam, rigid with end sections
Spreader beam, adjustable with end sections



Spreader beam, rigid with head piece and adjustable with head piece

Due to the articulated arrangement of the connection plates, the beam only experiences compressive forces and no bending. The beam has a low dead weight with maximum performance.

Spreader beam, rigid with end sections

Load capacity [kg]	Length [mm]	Ring height [mm]	Ring width [mm]	Jaw width [mm]	Height t [mm]	Dead weight [kg]	Price [EUR]	
STS02100100-VIP	2100	1000	110	60	25	840	23	1.288,10
STS02100200-VIP	2100	2000	110	60	25	1340	30	1.390,80
STS02100300-VIP	2100	3000	110	60	25	1840	44	1.563,40
STS02100400-VIP	2100	4000	110	60	25	2340	73	1.905,50
STS02100500-VIP	2100	5000	110	60	25	2840	88	2.085,20
STS02100600-VIP	2100	6000	110	60	25	3340	113	2.351,40
STS03500100-VIP	3500	1000	135	75	28	930	34	1.486,60
STS03500200-VIP	3500	2000	135	75	28	1430	46	1.655,50
STS03500300-VIP	3500	3000	135	75	28	1930	71	1.945,70
STS03500400-VIP	3500	4000	135	75	28	2430	87	2.151,10
STS03500500-VIP	3500	5000	135	75	28	2930	120	2.529,90
STS03500600-VIP	3500	6000	135	75	28	3430	161	2.825,00
STS05600100-VIP	5600	1000	160	90	36	1020	49	1.621,70
STS05600200-VIP	5600	2000	160	90	36	1520	70	1.876,20
STS05600300-VIP	5600	3000	160	90	36	2020	86	2.090,20
STS05600400-VIP	5600	4000	160	90	36	2520	118	2.455,80
STS05600500-VIP	5600	5000	160	90	36	3020	156	2.885,60
STS05600600-VIP	5600	6000	160	90	36	3520	180	3.158,80
STS09380100-VIP	9380	1000	180	100	50	1160	91	2.406,50
STS09380200-VIP	9380	2000	180	100	50	1660	114	2.689,70
STS09380300-VIP	9380	3000	180	100	50	2160	151	3.115,20
STS09380400-VIP	9380	4000	180	100	50	2660	177	3.443,10
STS09380500-VIP	9380	5000	180	100	50	3160	237	4.098,90
STS09380600-VIP	9380	6000	180	100	50	3660	252	4.308,40
STS14000100-VIP	14000	1000	200	110	56	1250	149	3.681,40
STS14000200-VIP	14000	2000	200	110	56	1750	178	4.077,70
STS14000300-VIP	14000	3000	200	110	56	2250	227	4.678,60
STS14000400-VIP	14000	4000	200	110	56	2750	263	5.145,40

Spreader beam, adjustable with end sections

Load capacity [kg]	Length max. [mm]	Length min. [mm]	Ring height [mm]	Ring width [mm]	Jaw width [mm]	Height t [mm]	Dead weight [kg]	Price [EUR]	
STV02500100-VIP	2500	1000	1000	135	75	28	930	48	2.094,90
STV02500200-VIP	2500	2000	1500	135	75	28	1180	83	2.673,30
STV02500300-VIP	2500	3000	2000	135	75	28	1430	129	3.360,80
STV02500400-VIP	2500	4000	2750	135	75	28	1810	164	3.846,40
STV02500500-VIP	2500	5000	3250	135	75	28	2060	234	4.758,40
STV02500600-VIP	2500	6000	3500	135	75	28	2180	310	5.652,90
STV04000100-VIP	4000	1000	1250	160	90	36	1150	65	2.185,70
STV04000200-VIP	4000	2000	1750	160	90	36	1400	106	2.818,60
STV04000300-VIP	4000	3000	2250	160	90	36	1650	139	3.362,30
STV04000400-VIP	4000	4000	2750	160	90	36	1900	202	4.224,80
STV04000500-VIP	4000	5000	3250	160	90	36	2150	281	5.228,70
STV04000600-VIP	4000	6000	3750	160	90	36	2400	329	5.906,00
STV06700100-VIP	6700	1000	1250	180	100	50	1280	110	3.018,90
STV06700200-VIP	6700	2000	1750	180	100	50	1530	157	3.714,50
STV06700300-VIP	6700	3000	2250	180	100	50	1780	226	4.650,30
STV06700400-VIP	6700	4000	2750	180	100	50	2030	277	5.382,30
STV06700500-VIP	6700	5000	3250	180	100	50	2280	362	6.482,80
STV06700600-VIP	6700	6000	3750	180	100	50	2530	509	8.149,60
STV10000100-VIP	10000	1000	1250	200	110	56	1380	176	4.408,40
STV10000200-VIP	10000	2000	1750	200	110	56	1630	229	5.209,00
STV10000300-VIP	10000	3000	2500	200	110	56	2000	303	6.173,50
STV10000400-VIP	10000	4000	3000	200	110	56	2250	364	7.044,20
STV10000500-VIP	10000	5000	3500	200	110	56	2500	539	9.095,40
STV10000600-VIP	10000	6000	3750	200	110	56	2630	742	11.447,10
STV16000100-VIP	16000	1000	1250	340	180	71	1660	319	7.550,20
STV16000200-VIP	16000	2000	1750	340	180	71	1910	408	8.793,80
STV16000300-VIP	16000	3000	2250	340	180	71	2160	555	10.643,00
STV16000400-VIP	16000	4000	3000	340	180	71	2530	664	12.012,40

Further sizes available on request!

Spreader beam with shackle bar
Axzion end sections



Spreader beam with shackle bar

Robust design, working range can be adjusted by changing the shackles. Crane-side with VLBS, suitable for 2 strand hangers (not included in the scope of delivery).

	Load capacity [kg]	Length [mm]	Height t [mm]	Dead weight [kg]	Price [EUR]
ASS 0300 0200 0	3000	2000	95	47	985,20
ASS 0300 0300 0	3000	3000	135	115	1.519,00
ASS 0300 0400 0	3000	4000	135	152	1.881,00
ASS 0300 0500 0	3000	5000	155	240	2.504,50
ASS 0300 0600 0	3000	6000	175	345	3.208,90
ASS 0500 0200 0	5000	2000	140	78	1.216,40
ASS 0500 0300 0	5000	3000	160	146	1.763,90
ASS 0500 0400 0	5000	4000	180	233	2.395,00
ASS 0500 0500 0	5000	5000	200	346	3.165,20
ASS 0500 0600 0	5000	6000	220	482	4.049,30
ASS 1000 0100 0	10000	1000	145	41	1.058,30
ASS 1000 0500 0	10000	5000	265	526	4.469,40
ASS 1000 0600 0	10000	6000	285	696	5.565,30
ASS 2000 0100 0	20000	1000	180	64	1.629,70
ASS 2000 0500 0	20000	5000	360	804	7.064,60
ASS 2000 0600 0	20000	6000	400	1048	8.699,30



Axzion end sections

Head pieces for spreader beams, for fast solutions. Make your beams yourself. Head pieces can be welded, complete with shackles. Please ask for a profile list!

	Load capacity per pair [kg]	Dead weight [kg]	Price per piece [EUR]
STK 0650 0000 0	6500	32	326,90
STK 0950 0000 0	9500	60	517,10
STK 1700 0000 0	17000	133	978,00
STK 2400 0000 0	24000	184	1.262,60
STK 3400 0000 0	34000	380	2.561,60
STK 5000 0000 0	50000	472	3.053,90
STK 7000 0000 0	70000	920	5.950,30

Information

- The beam is individually adapted to the customer's requirements in the work area
- Load capacities: 1000 to 170,000 kg
- Working lengths: 500 to 12,000 mm
- It is possible to hang a combination of three beams with two sub-beams attached to a top beam.

Further product information can be found at: www.axzion.de/Spreader-beams

Further sizes available on request!

Optional

- also pluggable available

Further product information can be found at: www.axzion.de/Spreader-beams

Further sizes available on request!



Optional

-Transport trolley

Vario-Beam
Mountable modular beams

Combination of end sections with intermediate pieces in different lengths, easy to plug in, with flange screw connection. Load capacities up to max. 1,200 t, different module lengths

- Crane and load side with 2 pieces of standard shackles,
- Flexible suspension with round slings or grummets
- Support feet
- Application length up to 30m

Further details available on request!

Please ask for the matching round slings!

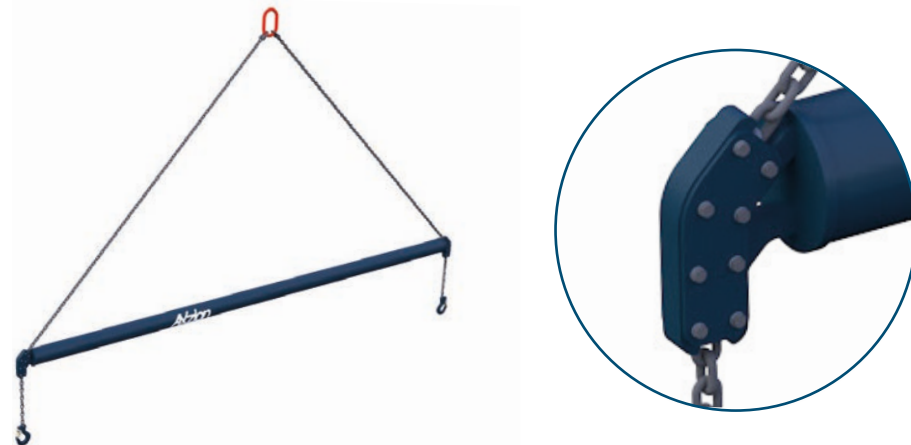
Further product information
can be found at:
www.axzion.de/Vario-Beam



Information

- The beam is individually adapted to the customer's requirements in the working area
- Load capacities: 2,500 to 17,000 kg
- Working lengths: 500 to 6000 mm

Lightweight beam
Spreader beam rigid, with double T-beam



Lightweight beam

Extremely lightweight construction equipped with RUD-ICE chains. Working area not adjustable. Due to the special clamping of the chains (patent pending), the beam only experiences compressive forces and no bending.

	Load capacity 45° [kg]	Length [mm]	Ring height V [mm]	Ring width V [mm]	Jaw width m [mm]	Height t [mm]	Dead weight [kg]	Price [EUR]
LTR 0250 0100 0	2500	1000	135	75	30	1250	19	1.148,70
LTR 0250 0200 0	2500	2000	135	75	30	1250	27	1.206,30
LTR 0250 0300 0	2500	3000	135	75	30	1250	37	1.270,30
LTR 0250 0400 0	2500	4000	135	75	30	1250	62	1.362,30
LTR 0425 0100 0	4250	1000	135	75	30	1250	29	1.266,10
LTR 0425 0200 0	4250	2000	135	75	30	1250	41	1.334,50
LTR 0425 0300 0	4250	3000	135	75	30	1250	56	1.409,20
LTR 0425 0400 0	4250	+4000	135	75	30	1250	93	1.527,00

Further product information can be found at: www.axzion.de/Lightweight-beam

Further sizes available on request!

Information

- Load capacities: 1000 bis 20.000 kg
- Working length: 500 to 6,000 mm



Spreader beam rigid, with double T-beam, simple design

Not adjustable. Simple design for 45° inclination angle. The beam is individually adapted to the customer's requirements in the work area. Load capacities: 1000 to 20,000 kg, working lengths: 500 to 6,000 mm. It is possible to have a combination of three beams, in which two sub-beams are attached to an upper cross-member.

	Load capacity 45° [kg]	Length [mm]	Ring height V [mm]	Ring width V [mm]	Height t [mm]	Dead weight [kg]	Price [EUR]
STS04200200-2	4200	2000	160	90	1480	61	1.289,70
STS04200300-2	4200	3000	160	90	1980	93	1.536,30
STS04200400-2	4200	4000	160	90	2480	121	1.758,90
STS11200300-2	11200	3000	200	110	2180	196	2.739,90
STS11200400-2	11200	4000	200	110	2680	263	3.258,00
STS21000200-2	21000	2000	250	150	1960	385	5.125,50
STS21000400-2	21000	4000	250	150	2960	519	6.405,90

Further product information can be found at: www.axzion.de/Spreader-beams

Further sizes available on request!

Frame beam, rigid
Frame beam, removable



Frame beam, rigid and detachable

Lightweight beam for spatial loads and easy to dismantle for easy transport. Complete with 4-strand chain suspension (GK 10 or GK 8), angle of inclination 45° with even load distribution, crane-side equipped with 4 shackles, optionally with single hook or swivel hook.

Frame beam, rigid

	Load capacity 45° [kg]	Length [mm]	Width [mm]	Ring height [mm]	Ring width [mm]	Jaw width m [mm]	Dead weight [kg]	Price [EUR]
RTS0315010010-0	3150	1000	1000	135	75	25	34	1.662,00
RTS0315010005-0	3150	1000	500	135	75	25	29	1.606,30
RTS0315020020-0	3150	2000	2000	135	75	25	59	1.945,50
RTS0315020010-0	3150	2000	1000	135	75	25	48	1.833,80
RTS0315030030-0	3150	3000	3000	135	75	25	111	2.499,10
RTS0315030020-0	3150	3000	2000	135	75	25	95	2.341,30
RTS0315030010-0	3150	3000	1000	135	75	25	79	2.183,60
RTS0315040040-0	3150	4000	4000	135	75	25	227	3.696,60
RTS0315040030-0	3150	4000	3000	135	75	25	201	3.435,40
RTS0315040020-0	3150	4000	2000	135	75	25	174	3.174,10
RTS0315040010-0	3150	4000	1000	135	75	25	148	2.912,70
RTS0525010010-0	5250	1000	1000	160	90	25	43	1.755,20
RTS0525010005-0	5250	1000	500	160	90	25	38	1.699,40
RTS0525020020-0	5250	2000	2000	160	90	25	88	2.240,40
RTS0525020010-0	5250	2000	1000	160	90	25	72	2.082,80
RTS0525030030-0	5250	3000	3000	160	90	25	184	3.235,20
RTS0525030020-0	5250	3000	2000	160	90	25	158	2.973,90
RTS0525030010-0	5250	3000	1000	160	90	25	132	2.712,60
RTS0525040040-0	5250	4000	4000	160	90	25	241	3.850,00
RTS0525040030-0	5250	4000	3000	160	90	25	215	3.588,80
RTS0525040020-0	5250	4000	2000	160	90	25	189	3.327,70
RTS0525040010-0	5250	4000	1000	160	90	25	162	3.066,40
RTS0840010010-0	8400	1000	1000	180	100	30	75	1.952,30
RTS0840010005-0	8400	1000	500	180	100	30	67	1.873,50
RTS0840020020-0	8400	2000	2000	180	100	30	153	2.761,10
RTS0840020010-0	8400	2000	1000	180	100	30	127	2.499,80
RTS0840030030-0	8400	3000	3000	180	100	30	213	3.389,70
RTS0840030020-0	8400	3000	2000	180	100	30	186	3.128,50
RTS0840030010-0	8400	3000	1000	180	100	30	160	2.867,00
RTS0840040040-0	8400	4000	4000	180	100	30	331	4.609,80
RTS0840040030-0	8400	4000	3000	180	100	30	297	4.273,40
RTS0840040020-0	8400	4000	2000	180	100	30	263	3.937,00
RTS0840040010-0	8400	4000	1000	180	100	30	229	3.600,30
RTS1400010010-0	14000	1000	1000	180	100	35	105	2.280,70
RTS1400010005-0	14000	1000	500	180	100	35	92	2.150,10
RTS1400020020-0	14000	2000	2000	180	100	35	179	3.052,50
RTS1400020010-0	14000	2000	1000	180	100	35	149	2.753,60
RTS1400030030-0	14000	3000	3000	180	100	35	311	4.397,90
RTS1400030020-0	14000	3000	2000	180	100	35	269	3.988,30
RTS1400030010-0	14000	3000	1000	180	100	35	228	3.578,50
RTS1400040040-0	14000	4000	4000	180	100	35	400	5.329,90
RTS1400040030-0	14000	4000	3000	180	100	35	359	4.920,10
RTS1400040020-0	14000	4000	2000	180	100	35	318	4.510,40
RTS1400040010-0	14000	4000	1000	180	100	35	276	4.100,70

Frame beam, removable

	Load capacity 45° [kg]	Length [mm]	Width [mm]	Ring height [mm]	Ring width [mm]	Jaw width m [mm]	Dead weight [kg]	Price [EUR]
RTS0315010010-1	3150	1000	1000	135	75	25	38	1.828,20
RTS0315010005-1	3150	1000	500	135	75	25	32	1.766,93
RTS0315020020-1	3150	2000	2000	135	75	25	65	2.140,05
RTS0315020010-1	3150	2000	1000	135	75	25	53	2.017,18
RTS0315030030-1	3150	3000	3000	135	75	25	122	2.749,01
RTS0315030020-1	3150	3000	2000	135	75	25	105	2.575,43
RTS0315030010-1	3150	3000	1000	135	75	25	87	2.401,96
RTS0315040040-1	3150	4000	4000	135	75	25	250	4.066,26
RTS0315040030-1	3150	4000	3000	135	75	25	221	3.778,94
RTS0315040020-1	3150	4000	2000	135	75	25	192	3.491,51
RTS0315040010-1	3150	4000	1000	135	75	25	163	3.203,97
RTS0525010010-1	5250	1000	1000	160	90	25	48	1.930,72
RTS0525010005-1	5250	1000	500	160	90	25	41	1.869,34
RTS0525020020-1	5250	2000	2000	160	90	25	96	2.464,44
RTS0525020010-1	5250	2000	1000	160	90	25	79	2.291,08
RTS0525030030-1	5250	3000	3000	160	90	25	203	3.558,72
RTS0525030020-1	5250	3000	2000	160	90	25	174	3.271,29
RTS0525030010-1	5250	3000	1000	160	90	25	145	2.983,86
RTS0525040040-1	5250	4000	4000	160	90	25	266	4.235,00
RTS0525040030-1	5250	4000	3000	160	90	25	237	3.947,68
RTS0525040020-1	5250	4000	2000	160	90	25	207	3.660,47
RTS0525040010-1	5250	4000	1000	160	90	25	178	3.373,04
RTS0840010010-1	8400	1000	1000	180	100	30	82	2.147,53
RTS0840010005-1	8400	1000	500	180	100	30	74	2.060,85
RTS0840020020-1	8400	2000	2000	180	100	30	168	3.037,21
RTS0840020010-1	8400	2000	1000	180	100	30	139	2.749,78
RTS0840030030-1	8400	3000	3000	180	100	30	234	3.728,67
RTS0840030020-1	8400	3000	2000	180	100	30	205	3.441,35
RTS0840030010-1	8400	3000	1000	180	100	30	176	3.153,70
RTS0840040040-1	8400	4000	4000	180	100	30	365	5.070,78
RTS0840040030-1	8400	4000	3000	180	100	30	327	4.700,74
RTS0840040020-1	8400	4000	2000	180	100	30	290	4.330,70
RTS0840040010-1	8400	4000	1000	180	100	30	252	3.960,33
RTS1400010010-1	14000	1000	1000	180	100	35	115	2.508,77
RTS1400010005-1	14000	1000	500	180	100	35	101	2.365,11
RTS1400020020-1	14000	2000	2000	180	100	35	197	3.357,75
RTS1400020010-1	14000	2000	1000	180	100	35	163	3.028,96
RTS1400030030-1	14000	3000	3000	180	100	35	342	4.837,69
RTS1400030020-1	14000	3000	2000	180	100	35	296	4.387,13
RTS1400030010-1	14000	3000	1000	180	100	35	251	3.936,35
RTS1400040040-1	14000	4000	4000	180	100	35	440	5.862,89
RTS1400040030-1	14000	4000	3000	180	100	35	395	5.412,11
RTS1400040020-1	14000	4000	2000	180	100	35	349	4.961,44
RTS1400040010-1	14000	4000	1000	180	100	35	304	4.510,77

Information

- Load capacities: 500 to 200,000 kg
- Working lengths / width: 500 to 6000 mm
- Larger dimensions possible

Optional

- Chain suspension with chain shortening for balance adjustment or for different load sizes
- Beam dimensions according to individual requirements
- Optional with single or rotator hooks

Further product information can be found at: www.axzion.de/Frame-beam

AXZION BEAMS

Information

- Load capacities: 500 to 200,000 kg
- Working lengths / width: 500 to 6000 mm
- Larger dimensions possible

Optional

- Telescopic
- Arms can be swivelled (adjustable working range)
- Rotator hooks or chains
- Beam dimensions according to individual requirements

Further product information can be found at:
www.axzion.de/Crossbeam

Cross-beam
3-arm beam



Crossbeam

Robust beam for spatial loads with four support arms at an angle of 90°. Crane side with eye suspension, load side equipped with 4 single hooks.

Prices and Productinformation available on request!

Information

- Load capacities: 500 to 200,000 kg
- Working lengths: 500 to 6,000 mm
- Larger dimensions possible

Optional

- Rotator hooks or chains
- Beam dimensions according to individual requirements

Further product information can be found at:
www.axzion.de/3-arm-beam



3-arm beam

Robust beam for spatial loads with three support arms at an angle of 120°. Crane side with eye suspension, load-side equipped with 3 single hooks.

Prices and Productinformation available on request!

Axzion beam, rigid
Axzion beam, adjustable



Axzion beam, rigid

	Load capacity [kg]	Length [mm]	Eye height V [mm]	Eye width W [mm]	Jaw width m [mm]	Height t [mm]	Dead weight [kg]	Price [EUR]
AXS 0100 0100 0	1000	1000	100	50	18	310	9	596,90
AXS 0100 0200 0	1000	2000	100	50	18	330	19	667,90
AXS 0100 0300 0	1000	3000	100	50	18	330	54	882,20
AXS 0100 0400 0	1000	4000	100	50	18	330	86	1.064,10
AXS 0100 0500 0	1000	5000	100	50	18	330	106	1.188,10
AXS 0100 0600 0	1000	6000	100	50	18	350	165	1.537,80
AXS 0200 0100 0	2000	1000	130	65	25	410	14	653,00
AXS 0200 0200 0	2000	2000	130	65	25	410	48	857,00
AXS 0200 0300 0	2000	3000	130	65	25	430	88	1.099,10
AXS 0200 0400 0	2000	4000	130	65	25	430	114	1.259,00
AXS 0200 0500 0	2000	5000	130	65	25	450	177	1.627,10
AXS 0200 0600 0	2000	6000	130	65	25	470	266	2.137,20
AXS 0300 0100 0	3000	1000	150	70	32	490	18	699,80
AXS 0300 0200 0	3000	2000	150	70	32	470	50	882,10
AXS 0300 0300 0	3000	3000	150	70	32	510	112	1.253,30
AXS 0300 0400 0	3000	4000	150	70	32	510	145	1.452,70
AXS 0300 0500 0	3000	5000	150	70	32	530	225	1.913,60
AXS 0300 0600 0	3000	6000	150	70	32	550	321	2.455,40
AXS 0500 0100 0	5000	1000	190	85	40	580	36	902,10
AXS 0500 0200 0	5000	2000	190	85	40	620	85	1.198,20
AXS 0500 0300 0	5000	3000	190	85	40	640	147	1.561,30
AXS 0500 0400 0	5000	4000	190	85	40	660	225	2.008,00
AXS 0500 0500 0	5000	5000	190	85	40	680	329	2.593,80
AXS 0500 0600 0	5000	6000	190	85	40	700	453	3.293,50
AXS 1000 0100 0	10000	1000	270	120	56	810	73	1.225,80
AXS 1000 0200 0	10000	2000	270	120	56	850	145	1.643,00
AXS 1000 0300 0	10000	3000	270	120	56	870	228	2.118,80
AXS 1000 0400 0	10000	4000	270	120	56	910	380	2.976,40
AXS 1000 0500 0	10000	5000	270	120	56	930	514	3.724,90
AXS 1000 0600 0	10000	6000	270	120	56	950	669	4.592,80
AXS 2000 0100 0	20000	1000	360	160	80	1100	151	2.120,40
AXS 2000 0200 0	20000	2000	360	160	80	1160	270	2.810,40
AXS 2000 0300 0	20000	3000	360	160	80	1200	417	3.633,30
AXS 2000 0400 0	20000	4000	360	160	80	1240	619	4.743,30
AXS 2000 0500 0	20000	5000	360	160	80	1280	823	5.858,10
AXS 2000 0600 0	20000	6000	360	160	80	1320	1045	7.068,50

AXZION BEAMS

Further product information can be found at:
www.axzion.de/beams

Further sizes available on request!

Axzion beam, adjustable

	Load capacity [kg]	Length max. [mm]	Length min. [mm]	Eye height V [mm]	Eye width W [mm]	Jaw width m [mm]	Height t [mm]	Dead weight [mm]	Price [EUR]
AXV 0100 0100 0	1000	1000	500	100	50	18	390	23	761,30
AXV 0100 0200 0	1000	2000	1000	100	50	18	410	41	903,90
AXV 0100 0300 0	1000	3000	1500	100	50	18	410	84	1.192,40
AXV 0100 0400 0	1000	4000	2000	100	50	18	410	122	1.444,90
AXV 0100 0500 0	1000	5000	3000	100	50	18	410	142	1.569,00
AXV 0100 0600 0	1000	6000	3000	100	50	18	440	237	2.184,40
AXV 0200 0100 0	2000	1000	500	130	65	25	500	31	820,30
AXV 0200 0200 0	2000	2000	1000	130	65	25	510	76	1.101,50
AXV 0200 0300 0	2000	3000	1500	130	65	25	530	125	1.416,70
AXV 0200 0400 0	2000	4000	2000	130	65	25	530	157	1.647,50
AXV 0200 0500 0	2000	5000	3000	130	65	25	550	223	2.019,00
AXV 0200 0600 0	2000	6000	3000	130	65	25	580	349	2.795,90
AXV 0300 0100 0	3000	1000	500	150	70	32	580	38	870,00
AXV 0300 0200 0	3000	2000	1000	150	70	32	570	79	1.128,80
AXV 0300 0300 0	3000	3000	1500	150	70	32	610	153	1.578,40
AXV 0300 0400 0	3000	4000	2000	150	70	32	610	193	1.848,60
AXV 0300 0500 0	3000	5000	3000	150	70	32	640	277	2.313,20
AXV 0300 0600 0	3000	6000	3000	150	70	32	660	410	3.122,50
AXV 0500 0100 0	5000	1000	500	190	85	40	710	71	1.091,20
AXV 0500 0200 0	5000	2000	1000	190	85	40	750	138	1.474,30
AXV 0500 0300 0	5000	3000	1500	190	85	40	780	213	1.916,10
AXV 0500 0400 0	5000	4000	2000	190	85	40	800	304	2.440,50
AXV 0500 0500 0	5000	5000	3000	190	85	40	820	415	3.035,20
AXV 0500 0600 0	5000	6000	3000	190	85	40	850	582	4.008,10
AXV 1000 0100 0	10000	1000	500	270	120	56	970	139	1.457,90
AXV 1000 0200 0	10000	2000	1000	270	120	56	1020	238	1.975,10
AXV 1000 0300 0	10000	3000	1500	270	120	56	1040	338	2.535,20
AXV 1000 0400 0	10000	4000	2000	270	120	56	1090	520	3.491,80
AXV 1000 0500 0	10000	5000	3000	270	120	56	1110	666	4.255,20
AXV 1000 0600 0	10000	6000	3000	270	120	56	1130	868	5.402,80
AXV 2000 0100 0	20000	1000	500	360	160	80	1290	279	2.433,20
AXV 2000 0200 0	20000	2000	1000	360	160	80	1360	457	3.267,10
AXV 2000 0300 0	20000	3000	1500	360	160	80	1410	647	4.208,70
AXV 2000 0400 0	20000	4000	2000	360	160	80	1450	884	5.423,70
AXV 2000 0500 0	20000	5000	3000	360	160	80	1490	1101	6.546,50
AXV 2000 0600 0	20000	6000	3000	360	160	80	1530	1369	8.029,20

Information

- The beam is individually adapted to the customer's requirements in the work area
- Load capacities: 1000 to 200,000 kg
- Working length: 500 to 20,000 mm

Runner beam



Runner beam

Pendulum protection by innovative design

A raster is incorporated into the robust steel profiles. This new design (patent pending) improves the stability considerably. The load has to be repositioned much less frequently and the transport process becomes faster and safer.

Crane side with 2 pieces of double bollards.

As a result, a flexible suspension can be implemented with round slings or grummets, which fits both single and double crane hooks.

Load-side with double bollards, suitable for cables and round slings.

	Load capacity [kg]	Length max. [mm]	Length min. [mm]	Height t [mm]	Dead weight ca. [kg]	Price [EUR]
LÄT 0100 0100 0	1000	1000	500	1280	23	729,10
LÄT 0100 0200 0	1000	2000	1000	1300	40	871,70
LÄT 0100 0300 0	1000	3000	1500	1300	84	1.160,20
LÄT 0100 0400 0	1000	4000	2000	1300	122	1.412,70
LÄT 0100 0500 0	1000	5000	3000	1300	142	1.536,80
LÄT 0100 0600 0	1000	6000	3000	1330	237	2.152,20
LÄT 0200 0100 0	2000	1000	500	1355	30	777,70
LÄT 0200 0200 0	2000	2000	1000	1385	75	1.058,90
LÄT 0200 0300 0	2000	3000	1500	1385	124	1.374,10
LÄT 0200 0400 0	2000	4000	2000	1385	157	1.604,90
LÄT 0200 0500 0	2000	5000	3000	1405	222	1.976,40
LÄT 0200 0600 0	2000	6000	3000	1435	348	2.753,30
LÄT 0300 0100 0	3000	1000	500	1415	37	819,80
LÄT 0300 0200 0	3000	2000	1000	1405	78	1.078,60
LÄT 0300 0300 0	3000	3000	1500	1445	153	1.528,20
LÄT 0300 0400 0	3000	4000	2000	1445	193	1.798,40
LÄT 0300 0500 0	3000	5000	3000	1475	276	2.263,00
LÄT 0300 0600 0	3000	6000	3000	1495	409	3.072,30
LÄT 0500 0200 0	5000	2000	1000	1540	136	1.407,30
LÄT 0500 0300 0	5000	3000	1500	1570	211	1.849,10
LÄT 0500 0400 0	5000	4000	2000	1590	302	2.373,50
LÄT 0500 0500 0	5000	5000	3000	1610	413	2.968,20
LÄT 0500 0600 0	5000	6000	3000	1640	580	3.941,10
LÄT 1000 0200 0	10000	2000	1000	1725	230	1.852,10
LÄT 1000 0300 0	10000	3000	1500	1745	330	2.412,20
LÄT 1000 0400 0	10000	4000	2000	1795	512	3.368,80
LÄT 1000 0500 0	10000	5000	3000	1815	658	4.132,20
LÄT 1000 0600 0	10000	6000	3000	1835	860	5.279,80
LÄT 2000 0200 0	20000	2000	1000	1960	437	3.011,80
LÄT 2000 0300 0	20000	3000	1500	2010	627	3.953,40
LÄT 2000 0400 0	20000	4000	2000	2050	864	5.168,40
LÄT 2000 0500 0	20000	5000	3000	2090	1080	6.291,20
LÄT 2000 0600 0	20000	6000	3000	2130	1348	7.773,90
LÄT 2500 0100 0	25000	1000	500	1800	230	2.793,20

Further product information can be found at: www.axzion.de/Runner-beam

Further sizes available on request!

2-crane beam



2-crane beam

Two cranes can be coupled with the 2-crane beam so that the load-bearing capacities are cumulative. A crane hook suspension DIN 15411 with single crane hook DIN 15401 or double crane hook DIN 15402 is used on the load side.

	Load capacity [kg]	Length max. [mm]	Eye height V [mm]	Eye width W [mm]	Jaw width m [mm]	Height t [mm]	Dead weight ca. [kg]	Price [EUR]
DHS 0800 0500 0	8000	5000	170	80	40	980	460	4.018,00
DHS 0800 0600 0	8000	6000	170	80	40	1000	600	4.820,10
DHS 1000 0200 0	10000	2000	190	85	46	1010	150	2.460,60
DHS 1000 0300 0	10000	3000	190	85	46	1030	230	2.936,40
DHS 1000 0400 0	10000	4000	190	85	46	1070	380	3.793,80
DHS 1000 0500 0	10000	5000	190	85	46	1090	520	4.542,50
DHS 1000 0600 0	10000	6000	190	85	46	1110	670	5.410,40
DHS 2000 0200 0	20000	2000	270	120	70	1360	280	4.256,80
DHS 2000 0300 0	20000	3000	270	120	70	1400	420	5.079,60
DHS 2000 0400 0	20000	4000	270	120	70	1440	620	6.189,60
DHS 2000 0500 0	20000	5000	270	120	70	1480	830	7.304,30
DHS 2000 0600 0	20000	6000	270	120	70	1520	1050	8.514,90
DHS 2500 0200 0	25000	2000	320	140	80	1460	320	5.266,00
HS 2500 0300 0	25000	3000	320	140	80	1500	480	6.213,50
DHS 2500 0400 0	25000	4000	320	140	80	1560	700	7.413,00
DHS 2500 0500 0	25000	5000	320	140	80	1600	910	8.555,20
DHS 2500 0600 0	25000	6000	320	140	80	1650	1170	9.932,10
DHS 3000 0300 0	30000	3000	360	160	80	1590	540	6.719,20
DHS 3000 0400 0	30000	4000	360	160	80	1670	790	8.047,80
DHS 3000 0500 0	30000	5000	360	160	80	1720	1020	9.340,70
DHS 3000 0600 0	30000	6000	360	160	80	1770	1290	10.801,30
DHS 4000 0200 0	40000	2000	360	160	97	1780	480	7.858,20
DHS 4000 0300 0	40000	3000	360	160	97	1840	670	8.927,90
DHS 4000 0400 0	40000	4000	360	160	97	1930	930	10.360,70
DHS 4000 0500 0	40000	5000	360	160	97	1980	1180	11.737,40
DHS 4000 0600 0	40000	6000	360	160	97	2080	1530	13.590,60
DHS 5000 0300 0	50000	3000	400	160	110	2050	800	11.350,80
DHS 5000 0400 0	50000	4000	400	160	110	2150	1090	12.918,50
DHS 5000 0500 0	50000	5000	400	160	110	2250	1410	14.638,70
DHS 5000 0600 0	50000	6000	400	160	110	2300	1700	16.225,00
DHS 6000 0300 0	60000	3000	450	170	125	2230	950	14.331,20
DHS 6000 0400 0	60000	4000	450	170	125	2330	1230	15.895,80
DHS 6000 0500 0	60000	5000	450	170	125	2430	1560	17.710,70
DHS 6000 0600 0	60000	6000	450	170	125	2480	1890	19.456,90

Information

- The beam is individually adapted to the customer's requirements in the work area
- Load capacities: 1000 to 500,000 kg
- Working lengths: 500 to 40,000 mm

Optional

- Coupling suspension for the use of three (3) or four (4) cranes
- Special solutions

Further product information can be found at: www.axzion.de/2-crane-beam

Further sizes available on request!

AXZION BEAMS

Information

- Lifting capacities: 500 to 200,000 kg
- Working width: 500 to 6000 mm
- Larger dimensions possible

Optional

- Combination with 2-crane beam
- Driven turntable

Further product information can be found at:
www.axzion.de/Long-hook-crossbar

Long hook, rigid
Long hook, telescopic



Long hook, rigid or telescopic

Robust design for foil or paper rolls, rigid or adjustable to different roll widths, telescopic. Crane-side with eye suspension, load-side equipped with 2 fired long hooks.

Long hook, rigid

Long hook, rigid								Long hook, telescopic										
Load capacity [kg]	Length [mm]	Eye height [mm]	Eye width [mm]	Jaw width [mm]	Height t [mm]	Dead weight [kg]	Price [EUR]	Load capacity [kg]	Length max. [mm]	Length min. [mm]	Eye height [mm]	Eye width [mm]	Jaw width [mm]	Height t [mm]	Dead weight [kg]	Price [EUR]		
LHS 0100 0050 0	1000	500	100	50	50	1190	24	725,50	LHV 0100 0050 0	1000	500	300	100	50	50	1270	34	845,30
LHS 0100 0100 0	1000	1000	100	50	50	1190	27	746,80	LHV 0100 0100 0	1000	1000	500	100	50	50	1270	41	911,20
LHS 0100 0150 0	1000	1500	100	50	50	1210	33	789,70	LHV 0100 0150 0	1000	1500	1000	100	50	50	1290	48	955,10
LHS 0100 0200 0	1000	2000	100	50	50	1210	37	817,80	LHV 0100 0200 0	1000	2000	1000	100	50	50	1290	58	1.053,80
LHS 0100 0250 0	1000	2500	100	50	50	1230	47	888,80	LHV 0100 0250 0	1000	2500	1500	100	50	50	1310	69	1.125,40
LHS 0100 0300 0	1000	3000	100	50	50	1210	72	1.032,10	LHV 0100 0300 0	1000	3000	1500	100	50	50	1290	102	1.342,30
LHS 0200 0050 0	2000	500	130	65	60	1220	41	838,60	LHV 0100 0400 0	1000	4000	2000	100	50	50	1290	140	1.594,80
LHS 0200 0100 0	2000	1000	130	65	60	1240	47	874,80	LHV 0200 0050 0	2000	500	300	130	65	60	1310	54	959,40
LHS 0200 0150 0	2000	1500	130	65	60	1260	54	931,80	LHV 0200 0100 0	2000	1000	500	130	65	60	1330	64	1.042,10
LHS 0200 0200 0	2000	2000	130	65	60	1240	80	1.078,80	LHV 0200 0150 0	2000	1500	1000	130	65	60	1350	73	1.100,10
LHS 0200 0250 0	2000	2500	130	65	60	1240	91	1.140,90	LHV 0200 0200 0	2000	2000	1000	130	65	60	1340	108	1.323,30
LHS 0200 0300 0	2000	3000	130	65	60	1260	120	1.320,90	LHV 0200 0250 0	2000	2500	1500	130	65	60	1340	119	1.385,40
LHS 0300 0100 0	3000	1000	150	70	80	1280	81	1.082,95	LHV 0200 0300 0	2000	3000	1500	130	65	60	1360	157	1.638,50
LHS 0300 0150 0	3000	1500	150	70	80	1260	102	1.203,35	LHV 0200 0400 0	2000	4000	2000	130	65	60	1360	190	1.869,30
LHS 0300 0200 0	3000	2000	150	70	80	1260	112	1.265,25	LHV 0300 0050 0	3000	500	300	150	70	80	1350	89	1.156,65
LHS 0300 0250 0	3000	2500	150	70	80	1280	139	1.427,15	LHV 0300 0100 0	3000	1000	500	150	70	80	1370	101	1.253,15
LHS 0300 0300 0	3000	3000	150	70	80	1300	174	1.636,45	LHV 0300 0150 0	3000	1500	1000	150	70	80	1360	125	1.379,35
LHS 0500 0150 0	5000	1500	190	85	80	1330	116	1.313,95	LHV 0300 0200 0	3000	2000	1000	150	70	80	1360	142	1.511,95
LHS 0500 0200 0	5000	2000	190	85	80	1350	144	1.483,75	LHV 0300 0250 0	3000	2500	1500	150	70	80	1380	171	1.677,85
LHS 0500 0250 0	5000	2500	190	85	80	1350	161	1.583,55	LHV 0300 0300 0	3000	3000	1500	150	70	80	1400	216	1.961,55
LHS 0500 0300 0	5000	3000	190	85	80	1370	206	1.846,85	LHV 0300 0400 0	3000	4000	2000	150	70	80	1400	256	2.231,75
LHS 0500 0400 0	5000	4000	190	85	80	1390	284	2.293,55	LHV 0500 0050 0	5000	500	300	190	85	80	1450	103	1.226,85
LHS 1000 0050 0	10000	500	270	120	100	1400	118	1.365,30	LHV 0500 0100 0	5000	1000	500	190	85	80	1440	129	1.376,75
LHS 1000 0100 0	10000	1000	270	120	100	1440	143	1.523,80	LHV 0500 0150 0	5000	1500	1000	190	85	80	1460	156	1.510,35
LHS 1000 0150 0	10000	1500	270	120	100	1460	175	1.713,50	LHV 0500 0200 0	5000	2000	1000	190	85	80	1480	197	1.759,85
LHS 1000 0200 0	10000	2000	270	120	100	1480	215	1.941,00	LHV 0500 0250 0	5000	2500	1500	190	85	80	1480	214	1.859,55
LHS 1000 0250 0	10000	2500	270	120	100	1500	267	2.241,30	LHV 0500 0300 0	5000	3000	1500	190	85	80	1510	272	2.201,65
LHS 1000 0300 0	10000	3000	270	120	100	1500	297	2.416,80	LHV 0500 0400 0	5000	4000	2000	190	85	80	1530	363	2.726,05
LHS 1000 0400 0	10000	4000	270	120	100	1540	450	3.274,40	LHV 1000 0200 0	10000	2000	1000	270	120	100	1650	308	2.273,10
LHS 2000 0050 0	20000	500	360	160	150	1540	292	2.598,40	LHV 1000 0250 0	10000	2500	1500	270	120	100	1670	371	2.587,10
LHS 2000 0100 0	20000	1000	360	160	150	1580	329	2.819,60	LHV 1000 0300 0	10000	3000	1500	270	120	100	1670	408	2.833,20
LHS 2000 0150 0	20000	1500	360	160	150	1600	371	3.064,80	LHV 1000 0400 0	10000	4000	2000	270	120	100	1720	589	3.789,80
LHS 2000 0200 0	20000	2000	360	160	150	1640	449	3.509,60	LHV 2000 0200 0	20000	2000	1000	360	160	150	1840	636	3.966,30
LHS 2000 0250 0	20000	2500	360	160	150	1660	517	3.889,70	LHV 2000 0250 0	20000	2500	1500	360	160	150	1870	722	4.370,20
LHS 2000 0300 0	20000	3000	360	160	150	1680	595	4.332,50	LHV 2000 0300 0	20000	3000	1500	360	160	150	1890	826	4.907,90

BIGBAG beam, standard or stainless steel
Wire mesh box beam



BIGBAG cross-member, standard or stainless steel

Robust design, suitable for big bags. Crane-side with eye suspension for single hooks DIN 15401; Load side with four fired hooks for BigBag loops.

Version	Load capacity [kg]	Width max. [mm]	Dead weight [kg]	Price [EUR]
BBT 0100 0900 0 normal	1000	900	20	873,20
BBT 0200 0900 0 normal	2000	900	25	909,40
BBT 0100 0900 1 stainless steel	1000	900	20	2.008,36



Wire mesh box beam

Wire mesh box beam, crane-side with eye suspension for single hooks DIN 15401; Load side with a rigid and a rotating pair of hooks. Fits for wire mesh boxes according to DIN 15155.

	Load capacity [kg]	Eye height V [mm]	Eye width W [mm]	Price [EUR]
GXT 0100 0125 0	1000	100	50	1.158,10
GXT 0200 0125 0	2000	130	65	1.200,30

AXZION BEAMS

Further product information can be found at:
www.axzion.de/BIGBAG-beam

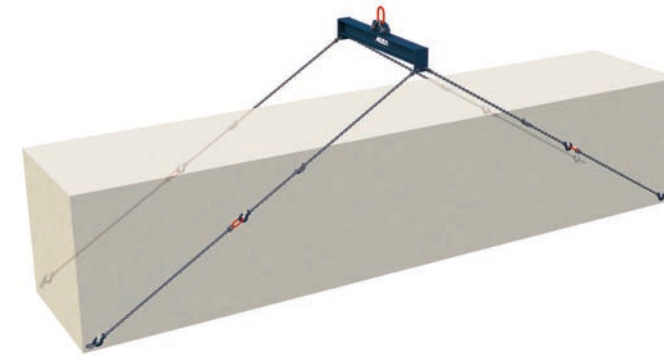
Further sizes available on request!

Optional

- four long hooks for transporting stacked wire mesh boxes

Further product information can be found at:
www.axzion.de/Wire-mesh-box-beam

Further sizes available on request!



Container cross-beam standard

Robust cross-beam suitable for lifting 10", 20" or 40" ISO containers. Crane-side with Vario suspension, load-side equipped with 2x2 chains GK 10 or GK 8, complete with container hooks.

	Load capacity [kg]	Eye height V [mm]	Eye width W [mm]	Dead weight [kg]	Price [EUR]	extra charge shortening clutch [EUR]
CTR 1600 0020 0	16000	1000	140	404	4.376,30	-
CTR 2500 0020 0	25000	2000	150	544	6.252,20	-
CTR 2000 0020 0	20000	1000	140	482	6.340,80	828,85
CTR 4000 0020 0	40000	2000	200	773	11.530,20	1.527,79
CTR 4000 0040 0	40000	1000	200	921	13.435,80	1.527,79



Container cross-beam with mechanical central locking system

The cross-beam is a cost-effective compromise for all users who do not have a container terminal and want to lift containers with an existing crane system. Connect at the upper ISO container corners of the 20" container. Working widths: 10", 20", 40" standard ISO containers. Crane-side with eye suspension, adjustable on load centre in the longitudinal direction by simple movement of the crane. Load-side with 4 pieces of ISO bolts, rotatable to 90° for locking.

	locking system	Load capacity [kg]	Size	Dead weight ca. [kg]	Price [EUR]
CTS 1000 0010 1	mechanical central locking system	10000	10 Iso Container	750	17.778,50
CTS 1000 0020 1	mechanical central locking system	10000	20 Iso Container	1350	24.228,50
CTS 2000 0020 1	mechanical central locking system	20000	20 Iso Container	2080	32.076,00
CTS 2000 0040 1	mechanical central locking system	20000	40 Iso Container	5200	46.220,70
CTS 2500 0020 1	mechanical central locking system	25000	20 Iso Container	2150	32.828,50
CTS 2500 0030 1	mechanical central locking system	25000	40 Iso Container	5650	52.047,70
CTS 3000 0020 1	mechanical central locking system	30000	20 Iso Container	2450	36.053,50
CTS 3000 0040 1	mechanical central locking system	30000	40 Iso Container	6150	68.960,90
CTS 3000 0020 2	electromechanical locking system	30000	20 Iso Container	2450	51.428,50
CTS 3000 0040 2	electromechanical locking system	30000	40 Iso Container	6150	73.824,50

Information

- Load capacities: 5.000 to 40.000 kg

Optional

- 2x2 chain shortening including additional length of the chains suitable for adjustment to different load centres in the longitudinal direction

Further product information can be found at: www.axzion.de/Container-beam

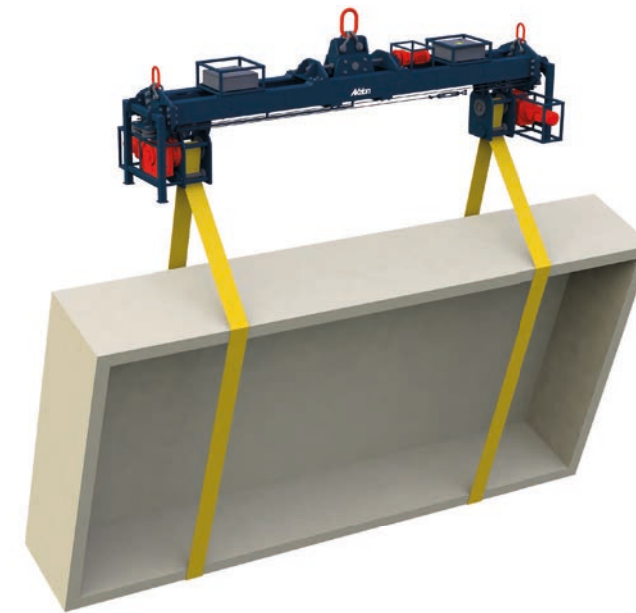
Further sizes available on request!

Optional

- Electric locking by energy-saving electric cylinders
- Remote control or hand-held remote control
- External power supply via the crane or mains in dependent gel battery
- Signals for locking and load operation

Further product information can be found at: www.axzion.de/Container-beam

Further sizes available on request!



Axzion Turnmaster Vario

Machines and cast components must be used frequently during the production process and for shipping. The components are becoming ever larger, the demands on quality always higher. Expensive crane systems are blocked for hours; large production areas have to be blocked for an extended period of time. Axzion-GKS has developed Turnmaster rotator cross-beams for the economical and safe handling of heavy loads, which are very easy to use and usually pay off after a short time.

With the Turnmaster Vario, the lifting straps are pushed to the appropriate points and the rotating rollers align themselves. After lifting, the crane-side suspension is simply moved over the load centre by pushing the button and the rotation process can begin.

The toothed rotating rollers combined with the secuwave coating reliably transfer the torque to the load. The teeth of the coating cling to the load. Slipping is no longer possible.

The precise centre of load of machines or large structures is often not known to the hoister. The many attachments make a reliable assessment almost impossible. The centre of load can still move during the turning process.

	Load capacity [kg]	Length max. [mm]	Eye height V [mm]	Eye width W [mm]	Jaw width m [mm]	Height t [mm]	Dead weight [kg]	Price [EUR]
TMV 0500 0400	5000	4000	180	105	60	10000	890	26.391,90
TMV 0800 0400	8000	4000	240	140	90	10000	980	29.834,50
TMV 1000 0400	10000	4000	240	140	90	10000	1010	33.158,00
TMV 1500 0400	15000	4000	350	200	150	12000	1560	40.956,90
TMV 2000 0400	20000	4000	350	200	240	1200	1680	48.237,80

Product features:

- Electromechanically adjustable Vario suspension for adjustment of the system inclination
- With 2 rotating rollers continuously adjustable, mounted on trolleys with automatic cable compensation
- Individually driven rotating rollers and separately controllable
- Complete with rotating bands with Secuwave coating and C-shaped quick-release fastener
- Electric actuation via 6 m cable manual button
- Only for bending-resistant loads

Videoinfomation: <https://www.youtube.com/watch?v=Vka0bavkMz4>

Optional

- Equipment for outdoor use
- Radio remote control
- With chains or woven wire mesh belts

Further product information can be found at:
www.axzion.de/Rotator-beams

Further sizes available on request!

AXZION ROTATOR BEAMS

Optional

- Rotating belts with C-shaped quick release fastener

Further product information can be found at:
www.axzion.de/Rotator-beams

Further sizes available on request!

Optional

- Turning belts with C-strap quick release

Further product information can be found at:
www.axzion.de/Rotating-roller

Further sizes available on request!

Axzion rotator cross-beam, manual
Rotator cross-beam, manual



Axzion rotator cross-beam, manual

The manual rotator cross-beam is only suitable for rotationally symmetrical loads due to the manual drive. The adjustment to the load centre is carried out by hanging on the rotating rollers. Crane-side with eye suspension, load-side with easily running plastic rollers suitable for a belt width of 60 mm. Only suitable for bend-resistant loads.

	Load capacity [kg]	Length max. [mm]	Length min. [mm]	Eye height V [mm]	Eye width W [mm]	Dead weight [kg]	Price [EUR]
WTM 0050 0100 0	500	1000	500	80	40	18	1.417,10
WTM 0050 0200 0	500	2000	1000	80	40	43	1.485,20
WTM 0050 0300 0	500	3000	1500	80	40	65	1.582,40
WTM 0100 0100 0	1000	1000	500	100	50	20	1.526,00
WTM 0100 0200 0	1000	2000	1000	100	50	45	1.575,30
WTM 0100 0300 0	1000	3000	1500	100	50	67	1.890,50
WTM 0200 0100 0	2000	1000	500	130	65	35	1.650,40
WTM 0300 0200 0	2000	2000	1000	130	65	55	2.072,80
WTM 0200 0300 0	2000	3000	1500	130	65	80	2.181,60



Rotating roller, manual

The manual rotating roller is only suitable for the rotation of symmetrical loads due to a manual drive. Crane-side with eye suspension, load-side with easily running plastic rollers suitable for a belt width of 60 mm. Only suitable for bend-resistant loads.

	Load capacity [kg]	Eye height V [mm]	Eye width W [mm]	Dead weight [kg]	Price [EUR]
WRM 0100 0000 0	1000	100	50	7	464,60
WRM 0200 0000 0	2000	130	65	7	637,20

Load balancer
Axzion rotating roller with round slings



Load balancer optimal weight compensation with offset load centre

The Axzion load balancer is a simple and cost-effective tool for lifting loads with an eccentric centre of mass. The Axzion load balancer can be used to adjust laterally displaced centres of mass. It works according to the so-called spill principle. It holds the load reliably when both cable ends are evenly loaded. If a cable end is not loaded, the load balancer can be moved laterally with the crane until the crane hook is exactly above the load centre. Both cable ends are then evenly taut in this position. There is no more slip in the load balancer and the load can be lifted.

	Load capacity [kg]	Eye height V [mm]	Eye width W [mm]	Dead weight ca. [kg]	Price [EUR]
LAB 0280 0400 0	2800	140	80	13	810,00
LAB 0440 0400 0	4400	160	95	22	1.068,40
LAB 0880 0400 0	8800	200	110	40	1.796,70
LAB 1120 0400 0	11200	240	140	85	2.558,40



Axzion pulley with round sling

Very practical due to high-strength MagnumX round sling. With the Axzion pulley, heavy loads can be simply lifted and also turned. Load carrying capacity: Up to 200 t with paired use

Designation	Load capacity [kg]	Dead weight [kg]	Price [EUR]
PUL 4000 000 0 Pulley complete with round sling, wire cable and shackle	40000	-	6.296,90
PUL 4000 000 1 Pulley complete with round sling, MagnumX and shackle	40000	-	8.143,90
PUL 6000 000 1 Pulley complete with round sling, MagnumX and shackle	60000	-	13.769,50
PUL 8000 000 1 Pulley complete with round sling, MagnumX and shackle	80000	800	20.361,50
PUL 10000 000 1 Pulley complete with round sling, MagnumX and shackle	100000	800	23.674,50

AXZION ROTATOR BEAMS

Information

- Securing by means of clamping screw
- Rotating and swiveling hook (not rotatable under load)

Optional

- Swivel hook with axial bearing, rotatable under load

Further product information can be found at:
www.axzion.de/Load-balancer

Further sizes available on request!

Information

- Crane-side with round loop suspension
- Load-side with MagnumX and standard shackle
- Double reel for loop deflection

Optional

- Equipment for outdoor use
- Radio remote control
- With chains or woven wire belts

Further product information can be found at:
www.axzion.de/roating-roller

Further sizes available on request!

Trays for bar cross-beams
 Transport trolley for cross-beams

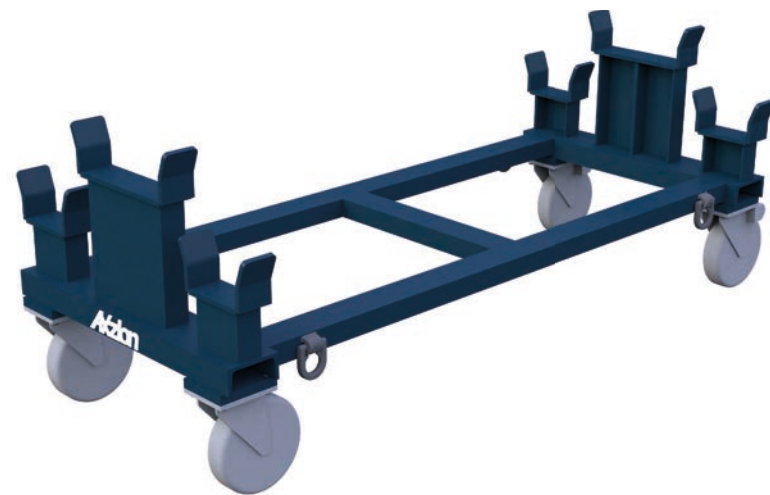
Optional

- Tray with secutex impact protection flat
- Lash points



Trays for bar cross-beams

Easy transport to the construction site!
 Load-side with support points for bar cross-beams, solid profile steel construction with large forklift pockets, complete with lash points for load securing. With large storage boxes for load-side chains or round slings. DUV Rule 100-500: Connecting and load-bearing devices must be parked or placed so that they can not tip over, fall or slide off. Please pre-arrange and order the rack to suit your cross-beam. Solid profile steel construction with mounting points for floor mounting.



Transport trolley for cross-beam

Easy transport, safe storage!
 Load-side with support points for beams or H-frame, solid profile steel construction with 2 x 2 pcs. Castors with rollstop, complete with load-securing lash points.

Designation	Load capacity [kg]	Length max. [mm]	Width [mm]	Dead weight ca. [kg]	Price [EUR]
SRA 001 Storage Rack f. Spreader Beam, small size	300	1000	90	60	475,00
SRA 001 Storage Rack f. Spreader Beam, middle size	1000	2000	140	85	712,50
SRA 001 Storage Rack f. Spreader Beam, large size	2500	3000	140	150	950,00
TTR 001 Trolley f. Spreader Beam	1000	1735	150	150	1.385,60

Further product information can be found at:
www.axzion.de/Transport-trolley

Axzion double hook
 Axzion double hook, simple design



Axzion double hook, with high-strength hanger ring

This is how you make a double hook from your single hook. Also available as 4-hooks. Larger load capacities on request.

	Load capacity [kg]	Eye height V [mm]	Eye width [mm]	Jaw width [mm]	Dead weight ca. [kg]	Price [EUR]
DOH 0650 0000 0	6500	165	90	35	10	438,50
DOH 1000 0000 0	10000	240	140	45	24	958,90
DOH 1250 0000 0	12500	240	140	50	32	1.155,80
DOH 1500 0000 0	15000	240	140	56	42	1.496,80
DOH 2000 0000 0	20000	250	150	63	47	1.782,30



Double hooks, simple design

Hoisting devices, such as round slings or lifting straps, must not lie on each other in the hook, since the lower slinging device are otherwise squeezed and there is therefore a risk of damage. Through the use of the double hook, the slinging device can be distributed over the two hooks, so that a damage or reduction of the load-bearing capacity is avoided. Hook shape depending on the application. Special sizes on request, specifying crane hook number and the slinging means used. Crane hook according to DIN 15401.

	Load capacity [kg]	Width [mm]	Eye height V [mm]	Jaw width [mm]	Dead weight ca. [kg]	Price [EUR]
DOH 0200 0000 1	2000	130	65	40	9	275,00
DOH 0400 0000 1	4000	190	85	50	12	290,60
DOH 1000 0000 1	10000	270	120	94	58	870,80
DOH 2000 0000 1	20000	360	160	94	87	1.552,85
DOH 3500 0000 1	35000	450	190	122	18	2.511,90

Information

- Hardened, forged load hooks
- Wide bearing surfaces
- High-strength hanging ring suitable for many crane hooks
- Hanging ring interchangeable

Further product information can be found at:
www.axzion.de/Doppelhaken

Further sizes available on request!

Optional

- Connection hole for shackles incl. shackle without additional price!

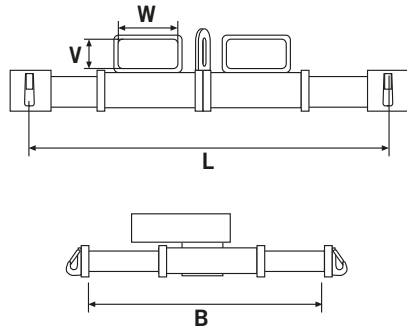
Further product information can be found at:
www.axzion.de/Double-hooks

Further sizes available on request!

AXZION BEAMS

Optional

- Crane side with round slings
- Beam dimensions according to individual requirements



Further product information can be found at:
www.axzion.de/battery-beam

Further sizes available on request!

Optional

- Beam dimensions according to individual requirements
- Swivel hook with ball bearing for turning under load

Further product information can be found at:
www.axzion.de/forklift-cross-beam

Further sizes available on request!

Axzion battery rack for forklift trucks
Axzion forklift cross-beam with one hook



Axzion battery cross-beam for forklifts

Flexible, telescopic cross-beam for transporting batteries and other spatial loads. Crane-side with eye suspension and forklift pockets, load-side equipped with 4 weld hooks, other dimensions possible.

	Load capacity [kg]	Dimension W [mm]	Dimension V [mm]	Prong distance [mm]	Dimension L [mm]	Dimension B [mm]	Dead weight ca. [kg]	Price [EUR]
GBT 0200 0120 0	2000	60	160	500	800-1200	600-800	90	1557,20



Axzion forklift cross-beams with a hooks

SIP slip-on pockets for two forklift tines, secured by two clamping screws that are centred, a rotating and swivelling eye hook with safety lock (not rotatable under load). Galvanised finish.

	Load capacity [kg]	Length [mm]	Dimension V [mm]	Dimension m [mm]	Dimension t [mm]	Dead weight ca. [kg]	Price [EUR]
UNO 0100 0000 0	1000	320	60	23	220	13	490,70
UNO 0200 0000 0	2000	320	60	27	280	28	523,80
UNO 0300 0000 0	3000	320	80	35	315	30	691,80
UNO 0500 0000 0	5000	320	100	45	425	42	796,80
UNO 0700 0000 0	8000	320	120	49	553	64	1590,80
UNO 1000 0000 0	10000	320	120	69	-	85	2033,50

Axzion forklift cross-beam with three hooks
Axzion forklift cross-beam with one hook



Axzion forklift cross-beam with three hooks

Forklift cross-beam for forklift trucks. Secured by two clamping screws in the middle, a rotating and swivelling eye hook with safeguard (not rotatable under load), on the outside two load hooks with safeguard. Galvanised finish.

	Load capacity [kg]	Length [mm]	Eye height V [mm]	Eye width W [mm]	Jaw width m [mm]	Dead weight ca. [kg]	Price [EUR]
TRE 0100 0000 0	1000	320	60	120	23	12	697,80
TRE 0200 0000 0	2000	320	60	160	27	14	729,20
TRE 0300 0000 0	3000	320	80	180	35	18	916,80
TRE 0500 0000 0	5000	320	100	200	45	25	1289,20
TRE 0800 0000 0	8000	320	120	200	49	55	1470,90
TRE 1000 0000 0	10000	320	120	200	69	66	1858,00



Forklift beam for a form

Plug-on pocket for forklift forks.
Please note: Avoid overloading the forks.

	Load capacity [kg]	Dimension V [mm]	Dimension W [mm]	Dimension t [mm]	Dead weight ca. [kg]	Price [EUR]
GTZ 0100 0000 0	1000	40	160	315	10	416,60
GTZ 0200 0000 0	2000	80	180	330	12	457,70
GTZ 0300 0000 0	3000	100	200	370	14	649,00
GTZ 0500 0000 0	5000	120	200	-	24	1063,70
GTZ 0800 0000 0	8000	120	300	-	35	1546,60

AXZION BEAMS

Optional

- Swivel hook with thrust bearing, rotatable under load

Further product information can be found at:
www.axzion.de/forklift-cross-beam

Further sizes available on request!

Information

- Secured by clamping screw
- Rotating and swivelling hook (not rotatable under load)

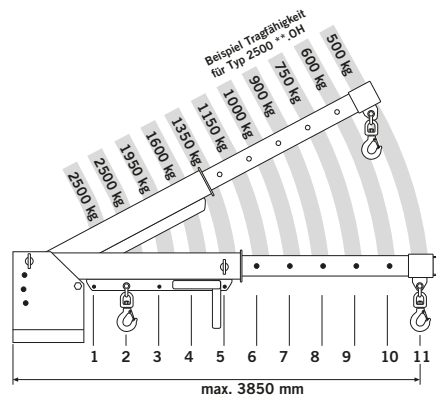
Optional

- Swivel hook with axial bearing, rotatable under load

Further product information can be found at:
www.axzion.de/forklift-coss-wbeam

Further sizes available on request!

AXZION BEAMS



Further product information can be found at: www.axzion.de/forklift-truck

Further sizes available on request!

Optional

- Swivel hook with axial bearing
- With side entry pockets

Further product information can be found at: www.axzion.de/short-crane-arm

Further sizes available on request!

Axzion crane arm for forklift truck
Axzion short crane arm for forklift truck



Axzion crane arm for forklift truck

Plug-on pocket for two forks, secure with safety chain. With reversible swivel hook (not rotatable under load). Telescopic, with plug-in bolts easy-to-use adjustable length (observe the load-bearing diagram). Note: Be sure to pay attention to the centre of mass and load capacity of your forklift truck!

	Load capacity [kg]	Length max. [mm]	Dimension L min. [mm]	Dimension V [mm]	Dimension w [mm]	Dead weight ca. [kg]	Price [EUR]
GKV 0250 0050 0	2500	3850	910	70	180	210	2496,60
GKV 0500 0050 0	5000	3850	910	100	200	393	3137,80
GKV 0250 0050 1	2500	3850	910	70	180	260	3011,90
GKV 0500 0050 1	5000	3850	910	100	200	470	3973,10



Axzion short crane arm for forklift trucks

This makes the forklift a universal lifting device. Securing is done by 2 clamping screws. Be sure to pay attention to the centre of mass and load-bearing capacity of the forklift truck.

	Load capacity [kg]	Dimension L [mm]	Dimension V [mm]	Dimension W [mm]	Dimension b [mm]	Dimension t [mm]	Dead weight ca. [kg]	Price [EUR]
GKS 0100 0050 0	1000	500	70	160	750	325	280	2287,50
GKS 0200 0050 0	2000	500	70	160	750	300	305	2462,90
GKS 0300 0050 0	3000	500	80	160	750	200	320	2767,30

Axzion hook beam
Axzion turnover cross-beam for forklift



Axzion hook beam

Hook cross-beam forklifts. Can be mounted both transversely and longitudinally. The Axzion hook cross-beam allows a wide range of applications thanks to the possibility of mounting on the forklift truck. Total length hook to hook: 2 m.

	Load capacity [kg]	Eye height V [mm]	Eye width W [mm]	Jaw width m [mm]	Dead weight ca. [kg]	Price [EUR]
GKT 0250 0200 0	2500	160	60	240	165	1983,00



Axzion turnover cross-beam for forklift

The turnover cross-beam can be used very flexibly. The forklift pockets can be adjusted generously. A suspension head is also available for use on the crane hook.

	Load capacity [kg]	Dimension L min. [mm]	Dimension L max. [mm]	Eye height V [mm]	Eye width W [mm]	Price [EUR]
GWT 0050 0100 0	500	500	1000	60	120	1349,50
GWT 0050 0200 0	500	1000	2000	60	160	1416,00
GWT 0050 0300 0	500	1500	3000	80	180	1573,10
GWT 0100 0100 0	1000	500	1000	60	120	1459,20
GWT 0100 0200 0	1000	1000	2000	60	160	1501,30
GWT 0100 0300 0	1000	1500	3000	80	180	1802,30
GWT 0200 0100 0	2000	500	1000	60	120	1573,10
GWT 0200 0200 0	2000	1000	2000	60	160	1976,10
GWT 0200 0300 0	2000	1500	3000	80	180	2076,80

AXZION BEAMS

Optional

- Swivel hook with ball bearing for turning under load

Further product information can be found at: www.axzion.de/hook-beam

Further sizes available on request!

Optional

- Special sizes available on request

Further product information can be found at: www.axzion.de/rotator-beams

Further sizes available on request!



General Terms and Conditions of Axzion GKS Stahl- und Maschinenbau GmbH**As of August 2012**

We sell exclusively in line with the following sales, delivery and payment terms. The purchasing conditions of the buyer are hereby expressly contradicted. Our general terms and conditions apply to the entire future business relationship, unless the buyer is not a merchant in the sense of the German Commercial Code (HGB).

§ 1 Conclusion of the contract

The offers of the seller are as a rule, free and non-binding. The delivery contract comes into force only upon our acceptance of the order of the buyer (order confirmation). Block orders (= call-off orders) require explicit agreement, as does re-scheduling. For goods purchased on demand, the longest deadline is five months, within which the goods must be accepted in full, unless expressly agreed otherwise. Amendments to the contract and verbal collateral agreements shall only be effective upon written confirmation. Fixed transactions require special agreement.

§ 2 Price

The prices are based on the cost structure on the day of the order confirmation. If a binding price agreement has been concluded, the seller can nevertheless correct the prices if four months have elapsed since the conclusion of the contract and subsequently the delivery or service are directly or indirectly affected by additional public charges, ancillary charges, freight charges or their increase or other legal measures or a change in the cost factors such as wages or material costs, on which the prices of the seller are based. This does not apply to services to a non-buyer. The prices are understood, unless otherwise agreed, from the warehouse of the seller. Packaging will be charged separately and will not be returnable. All prices quoted are exclusive of the statutory value-added tax (VAT) valid at the time of delivery, which is additionally calculated and reported.

§ 3 Tolerances**§ 3.1 Technical tolerances**

The tolerances customary in steel construction shall apply to meet the technical characteristics of our products.

§ 3.2 Volume tolerances for special items

An order is deemed to be met by the seller if the delivery was executed with a volume tolerance of +/- 10% on the basis of the purchaser's order quantity.

§ 6 Limitation of Liability and Limitations

In the event of a violation of contractual and non-contractual obligations, in particular due to impossibility, delay, debt in the initiation of the contract and tort, we shall be liable - also for our executive employees and other vicarious agents - only in cases of intent and gross negligence limited to typical contractual damage foreseeable at the time of the contract conclusion. These limitations do not apply in case of culpable breach of essential contractual obligations insofar as the achievement of the contractual purpose is jeopardised, in cases of mandatory liability under the Product Liability Act, in case of injury to life, body or health and also not if and insofar as we fraudulently concealed material defects or guaranteed their absence. The rules on the burden of proof remain unaffected. Unless otherwise agreed upon, contractual claims which the buyer incurs against us on the occasion of or in connection with the delivery of the goods shall become statute-limited one year after delivery of the goods. This period shall also apply to goods which, according to their usual use, have been used for a structure and caused its defect, unless such use was agreed in writing. Our liability for intentional and grossly negligent breach of duty as well as the limitation of statutory recourse claims remain unaffected. In the event of subsequent performance, the limitation period shall not begin to run again. Our invoices are due within 30 days (payment target) after the date of invoice. The buyer is in default at the latest 10 days after the due date of our claim without a reminder. Cash discount deductions are not permitted.

§ 7 Payment and Delay

Any counterclaims which we dispute or which have not been legally established do not entitle the buyer to withhold or offset. If we exceed the payment target, at the latest after the delay, we are entitled to charge interest in the amount of the respective bank rates for overdraft credits, but at least interest rates of 8 percentage points above the base interest rate, and in the case of non-buyers in the amount of 5 percentage points above the base interest rate. We reserve the right to claim further damages.

§ 8 Retention of title

The goods delivered remain the property of the seller until full payment of all seller claims against the buyer. If goods belong to the buyer's normal business, the buyer is entitled to resell and process the reserved goods. Resale is, however, only permissible if the purchaser retains and protects the seller's retention of title. A pledging or safeguarding of the reserved goods by the buyer is not permissible. The purchaser shall demand the buyer's claim for the resale of the reserved goods up to the amount of the seller's total claim as collateral and shall inform its buyer of the assignment to the seller on a case-by-case basis. The seller accepts this assignment. Irrespective of the assignment, the buyer shall be entitled to collect the assigned receivables as long as he meets his obligations towards the seller and does not incur a financial loss. If the value of the security available for the seller exceeds all its claims by more than 10%, the seller is obliged, at the buyer's request, to release securities at his discretion. The buyer is obligated to inform the seller without delay about all circumstances in connection with the retention of title - resale and demand assignment, combination, mixing, processing, recovery of assigned claims, any enforcement measures of third parties in the goods or their claims, etc.. In the case of combining, mixing or processing the reserved goods with other goods not belonging to the seller, the seller shall be entitled to the resulting co-ownership share in the new item.

If the buyer acquires the sole ownership of the new item, the contracting parties agree that the buyer grants co-ownership to the seller in the proportion of the value of the reserved goods to the new item. If the reserved goods are resold together with other goods, whether with or without combination, mixing or processing, the above-agreed advance assignment shall only apply to the total claims of the seller. In the event of the enforcement measures of third parties in the reserved goods or their claims, the buyer undertakes to provide the seller with the documents and information necessary for the pursuit of his rights free of charge. The buyer undertakes to return the reserved goods if the supplier's rights are jeopardised, but only to the amount of the outstanding claims of the seller.

§ 9 Place of Performance, Jurisdiction, Applicable Law

For these terms of business, for orders and deliveries between the seller and foreign customers, it is agreed that the law of the Federal Republic of Germany applies to all business relations, irrespective of the legal foundation on which they are based. The uniform purchasing right (EKG) and / or other intergovernmental law shall also be excluded in the case of customers belonging to a contracting state. The contractual language for our business relations is German. The place of performance for all claims arising from this contract is the place of business of the seller. The jurisdiction for all disputes arising out of the contractual relationship as well as regarding its occurrence and its effectiveness (also for bills of exchange and checks) shall be the registered office of the vendor, insofar as the contractual partner is a registered trader, legal person of public law or public special fund.

§10 Severability clause

If one of these conditions is void for any reason, this does not affect the validity of the remaining conditions. The void clause is to be replaced by a provision which comes as close as possible to the parties' intention.

Imprint**Axzion**

GKS Steel and Mechanical Engineering GmbH
Winkelsweg 172
40764 Langenfeld, Germany
Telefon: +49 217 320 892 - 0 | Fax: +49 217 320 892 - 28 | Service-Hotline: +49 800 299 466 457
Email: info@axzion.de
Registered in the commercial register of the Amtsgericht Düsseldorf under HRB 46510.

Managing Directors:

Boris Franke, Martin Hinz, Erik David Ian Ehnimb, Nick Dilloway
The sales tax identification number (VATNo. is):
DE177853245
Responsible for the contents according to § 10 paragraph 3 MDStV: Boris Franke (address as above)

Despite careful control of the contents, we do not accept any liability for the content of external links. The content of linked pages falls within the exclusive responsibility of their operators.

Disclaimer**Liability for content**

We make every effort to ensure the accuracy, completeness or quality of the information provided on this site, but cannot guarantee it. According to § 7 paragraph 1 TDG, we are responsible as a service provider for our own content on our own pages, but we are not obliged to supervise transmitted or stored third-party information (§§ 8-10 TDG). If, however, we become aware of legal violations, we will remove the corresponding contents immediately. We can assume liability for this at the earliest from the moment of knowledge of specific legal violations. We kindly ask for the appropriate information.

Liability for links

If our pages contain links to third-party websites, we point out that we have no influence over the content of these websites. The respective provider is always responsible for the correctness of the contents of such sites, which is why we cannot take any responsibility for this. We checked the websites of third parties at the time of linking to possible legal violations, but could not detect any violations. A continuous review of the contents of the pages linked by us without detailed indications for legal violations is an unreasonable effort for us. In the event that we become aware of any legal violations, we will immediately remove the links.

Copyright

The content and works offered on this website by the operator are subject to German copyright law. Third party contributions are marked as such. Copying, editing, distribution and any use of the contents outside the limits of the copyright laws require the written consent of the author or creator. Any copies of these pages are permitted only for private purposes, but not for commercial purposes.

Data protection

We cannot guarantee the security of the data transmission on the Internet. In particular, there is the risk of access by third parties in the transmission of data in the email traffic. If we collect personal data on our pages, the data will be transmitted by the user on a voluntary basis. We will not forward this data to third parties without the express consent of the user. We already object to the use of our published contact data by third parties for advertising purposes.

www.axzion.de

Subject to technical changes. All rights reserved. No part of this catalogue may be reproduced in any form (print, photocopy, or any other process without written permission, or processed, duplicated or distributed using electronic systems. This catalogue has been prepared with due diligence;

Axzion GKS Stahl- und Maschinenbau GmbH
accepts no liability for errors or omissions.

The prices are valid until the new price list appears.

SpanSet Ltd
Telford Way, Middlewich
Cheshire CW10 0HX, UK
Tel: +44 (0) 1606 737494
Fax: +44 (0) 1606 737502
www.spanset.co.uk
