



**FALL ARREST**



**TRAINING REQUIRED**

SPANSET UK LTD  
TELFORD WAY, MIDDLEWICH, CHESHIRE, UK  
WWW.SPANSET.CO.UK

<b>Product Group</b>	Ultima-X Harness
<b>Technical File Reference</b>	19
<b>Standard</b>	EN361:2002; EN 358:2018
<b>UK Regulation</b>	PPE Regulation (EU) 2016/425 as brought into UK Law and amended
<b>EU Regulation</b>	PPE Regulation (EU) 2016/425
<b>Product Type Examination</b>	
EU Notified Body	SATRA Technology Europe Limited. Bracetown Business Park. Clonee. D15YN2P. Republic of Ireland
EU Notified Body Number	2777
UKCA Approved Body	SATRA Technology Centre, Wyndham Way, Telford Way Industrial Estate, Kettering, NN16 8SD
UKCA Approved Body Number	0321
<b>Manufacturing Quality Assurance</b>	
EU Notified Body	BSI Group The Netherlands B.V., Say Building, John M. Keynesplein 9, 1066 EP, Amsterdam, Netherlands
EU Notified Body Number	2797
UKCA Approved Body	BSI Group Kitemark Court, Davy Avenue, Knowhill, Milton Keynes, MK5 8PP. United Kingdom
UKCA Approved Body Number	0086



It is essential that this product is sold to the end user with the instructions in the correct language of the country in which the product is to be used. This harness is for use in a fall arrest system that has had a thorough risk-assessment including an analysis of the clearance height necessary below the user to ensure safety.

## WARNING

Use of this equipment is inherently dangerous, and prior to use you must:

- Read the User Instruction Manual
- Be trained in the correct use of the product
- Familiarise yourself with the products operation & limitations
- Fully understand the risk involved in using the product
- Be physically and medically capable of operating the product safely and fully understanding its function

All work at height activities are inherently dangerous; your personal safety is your responsibility. Rescue provision should always be in place to deal with any emergencies and must be able to be carried out with maximum efficiency and speed.

No alterations, additions or repairs should be made to this product without the written consent of SpanSet UK Ltd. SpanSet products are supplied with a full declaration of conformity with the product packaging. For additional copies, please contact SpanSet or visit [www.spanset.co.uk](http://www.spanset.co.uk).



FAILURE TO ADHERE TO THE PRODUCT USER INSTRUCTIONS OR USE THE PRODUCT CORRECTLY MAY RESULT IN SERIOUS INJURY OR DEATH.

# ULTIMA-X Harness

## Product Labelling & Parts Identification

**SpanSet®**

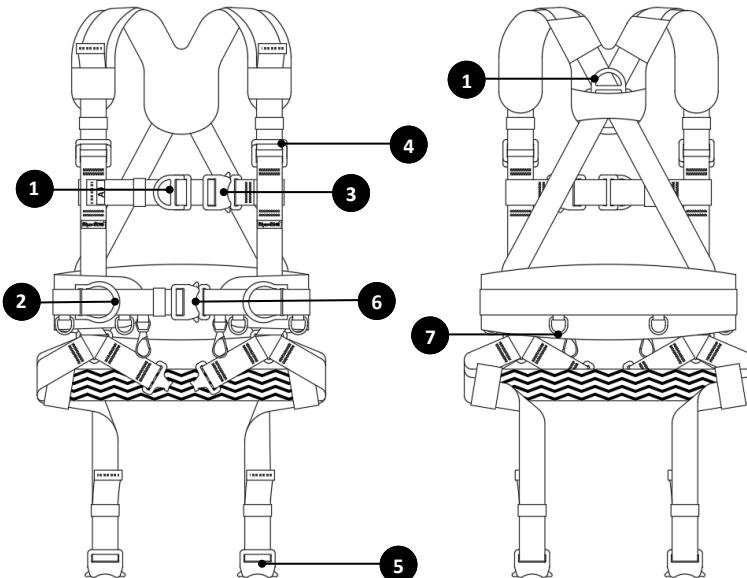
MIDDLEWICH, CHESHIRE, UK  
www.spanset.co.uk

- 1 → MODEL: ULTIMA-X
- 2 → MFG: [MM/YY]
- 3 → SERIAL No: [00000000]
- 4 → MAX USER: 150kg (145cm WAIST)
- 5 → EN 361:2002 EN358:2018



CE 2797

- 1. PRODUCT MODEL NAME
- 2. DATE OF MANUFACTURE
- 3. PRODUCT INDIVIDUAL NUMBER
- 4. PRODUCT SPECIFIC DETAILS
- 5. RELEVANT PRODUCT STANDARD
- 6. REQUIREMENT TO READ USER INSTRUCTIONS
- 7. NOTIFIED BODY CONTROLLING THE MANUFACTURE OF THE PRODUCT



- 1. EN361 FALL ARREST ATTACHMENT ELEMENT (x2)
- 2. EN358 WORK POSITIONING ATTACHMENT ELEMENT (x2)
- 3. CHEST ADJUSTMENT BUCKLE
- 4. TORSO ADJUSTMENT BUCKLE
- 5. LEG ADJUSTMENT BUCKLE
- 6. WAIST ADJUSTMENT BUCKLE
- 7. GEAR ATTACHMENT

**CORE MATERIAL(S)**  
Webbing: Polyester  
Fall Arrest Attachment Elements: Carbon Steel  
Quick Release Buckles: Aluminium Alloy  
Adjustment Buckles: Carbon Steel

The ULTIMA-X Harness is an EN361 and EN358 full body fall arrest harness, with integral work positioning belt, designed for personal fall protection. The product must not be overloaded or used outside its field of application; personal protection for work at height. All Users must be trained in work at height activities to a level of competency or must work under direct visual control of a competent person prior to use of the product. Use of the product is at the Users own risk and the User assumes responsible for any damages, injuries or death resulting from incorrect use of the product in any manner whatsoever. If there is any doubt about the correct use and application of this product do not use it and seek advice from a competent person or from SpanSet UK Ltd.

The harness is designed for users of 150kg maximum weight (including tools and accessories), and waist size 145cm.

### **PRE-USE CHECKS**

Before each use check the function and condition of the product by operation of any moving parts and inspection of the product elements with particular attention to:

**Webbing**—check for signs of wear, cuts, abrasion and damage due to excessive heat or chemical contamination.

**Hardware**—check for signs of wear, cracks and distortion. If the hardware has moving parts, ensure that they are free to move and operate correctly.

**Product Label**—the label details must be clearly legible and checked for compatibility for the required work at height activity. Check the details of the product label to ensure the product is within its operating lifespan.

**BE AWARE THAT CONTINUOUS MONITORING OF YOUR EQUIPMENT DURING USE IS CRITICAL TO ENSURING SAFE WORK AT HEIGHT ACTIVITIES.**

### **PRODUCT COMPATIBILITY**

Always ensure, via specific training or advice from a competent person, that the intended application of PPE is compatible with the products used. It cannot be assumed that all combinations of PPE will interact in a safe manner.

Pay particular attention to verify connectors are positioned and closed in such a manner that any loading of the safety system does not incorrectly load the connector or has the potential to operate the connector gate mechanism accidentally. Always ensure the connectors are orientated to load in the primary axis.

This harness has been recommended for use (but not exclusively) with the following compatible elements of PPE:

EN354—Restraint lanyard to front or rear attachment point.

EN355—Fall arrest lanyard to front or rear attachment points.

EN358—Work positioning systems to front or rear attachment points, and waist belt.

EN360—Retractable fall arrest systems to front or rear attachment points.

**FOR FURTHER DETAILS OF PPE COMPATIBILITY, PLEASE CONTACT YOUR LOCAL SPANSET BRANCH.**

**ALL PPE CONNECTED INTO A SAFETY SYSTEM MUST CONFORM TO EN STANDARDS AND BEAR THE 'CE' LOGO. IF IN DOUBT, SEEK ADVICE FROM YOUR LOCAL AUTHORITY OR THE MANUFACTURER, SPANSET.**

---

# ULTIMA-X Harness

---

## Product Use

---

### HARNESS FITTING

Loosen the webbing at the shoulders, legs and chest adjustment buckles and put the harness on across the shoulders (1)

Ensure that the sub-pelvic support strap is positioned underneath the buttock then fasten the buckles at the leg loops and coarse adjust the webbing to fit (2 & 3). Check that the webbing is not twisted.

Connect the buckle at the chest and coarse adjust the shoulder webbing to fit (4). Check that the webbing is not twisted.

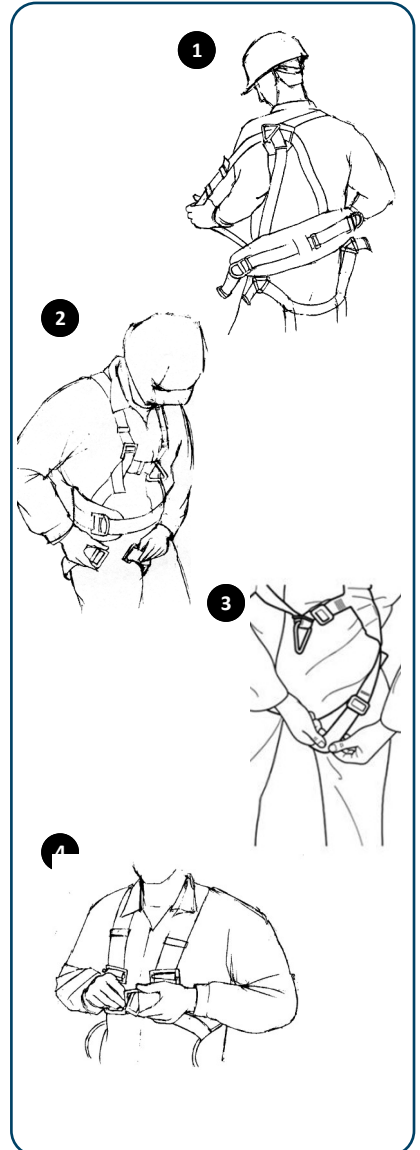
Adjust the length of the chest web to provide a comfortable but snug fit

Tighten the webbing at the legs and shoulders equally to provide a comfortable but snug fit. If the harness fit is uncomfortable loosen off the webbing and adjust again until the desired fitting is achieved.

Stow any loose webbing under the provided elasticated web tidies.



**WARNING! FAILURE TO ADJUST THE HARNESS TO A COMFORTABLY SNUG FIT MAY RESULT IN SERIOUS DISCOMFORT OR INJURY IN A FALL ARREST EVENT. THE HARNESS IS DESIGNED TO PROVIDE PERSONAL PROTECTION FOR WORKERS AT HEIGHT AND WORKS BEST WHEN FITTED AS TIGHTLY AS COMFORT WILL ALLOW**



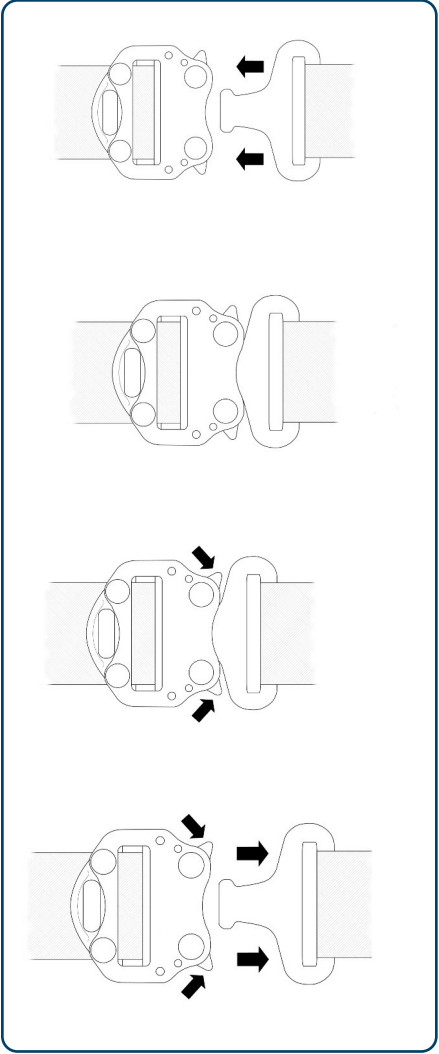
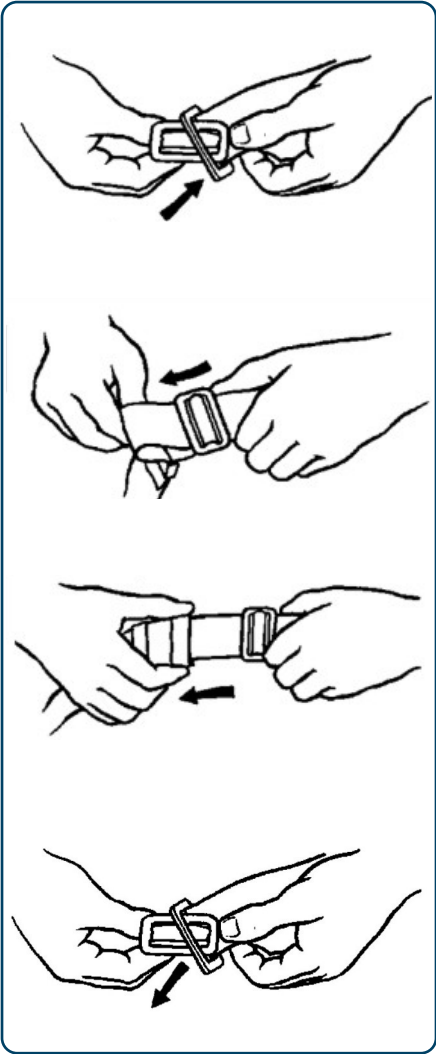
---

# ULTIMA-X Harness

---

## Harness Buckles

---



---

# ULTIMA-X Harness

---

## Fall Arrest

---

The ULTIMA-X harness is fitted with sternal and dorsal fall arrest attachment points and are indicated by the letter 'A'. Do not connect any elements of the fall arrest system to parts of the harness other than the fall arrest attachment points.

### **CLEARANCE HEIGHTS & FREE SPACE**

In a fall arrest event the free space below the User is critical to the correct operation of the equipment and safety of the User. The free space must be sufficient to allow the fall arrest event to occur without the potential for collision with structures or obstacles. Consideration must also be given to the proximity of the User in relation to the anchorage to minimise the potential for a swing fall arrest where vertical clearance may be adequate but horizontal clearance may not. Calculation of clearance heights and swing fall risk should be performed and advised by a competent person, or by contacting SpanSet UK Ltd.

Clearance height considerations

- Height of anchorage above working level
- Arresting distance of energy absorber
- Height & weight of the User
- Availability of free fall space

**NOTE: OTHER FACTORS MUST ALSO BE CONSIDERED WHICH ARE SPECIFIC TO PRODUCT TYPES (I.E. HARNESS STRETCH/SLIPPAGE UNDER FALL ARREST LOAD).**

### **ANCHORAGES**

All anchor points must satisfy the requirements of EN795 (MBS 12kN). Whenever possible; select anchor points which limit the height of any potential fall i.e. above the User's head height.

Select locations of attachment which will not allow the PPE to contact aggressive or abrasive surfaces.





### OPERATING TEMPERATURE

-35°C to +75°C

---



### STORAGE OF PRODUCT

Cool well ventilated area  
Do not store under heavy items  
Do not expose to UV  
Prevent contact with sharp objects that may damage the fibres of the webbing

---



### CLEANING & DRYING OF PRODUCT

Wash in a container of 30C water with mild detergent  
Do not machine wash or pressure wash  
Dry in a well ventilated area allowing the product to drip dry (maximum +30°C)  
Do not expose to sources of heat or UV

---



### CONTAMINATION

Do not allow contact with harmful substances such as acids, alkalis, fuel, paints, solvents.

---



### MODIFICATIONS

No alterations, additions or repairs should be made to this product without the written consent of SpanSet UK Ltd.

---



### TRANSPORTATION

During transportation, the product must be stored away from direct sunlight and in such a manner as to avoid contamination with chemicals, dirt ingress and mechanical damage. It is strongly recommended that the product is transported in the protective bag supplied with the product or other suitable means.

---

# ULTIMA-X Harness

---

## Product Lifespan

---

It is mandatory by European Law that all PPE must be supplied with comprehensive User Instructions which detail the lifespan of the product, and the inspection requirements. The actual frequency of the periodic inspection is the responsibility of the competent person in charge of the maintenance of the product. Aggressive or arduous conditions and constant use will potentially reduce the working life of the product and so a more frequent inspection regime will be required to effectively monitor this. SpanSet recommend that PPE for Work at Height is thoroughly examined by a competent person:

- Periodically at intervals not exceeding 6 months
- Interim inspections where required

SpanSet recommend that Pre Use inspection is carried out by the user before each and every use. Any concerns about the condition of equipment must result in the item undergoing a thorough interim inspection. In addition SpanSet give this product a period of obsolescence of 10 years from date of manufacture, even if never used. Products should be withdrawn from service if they meet any one of the following criteria:

- Failure of a thorough examination
- Subjected to or Used to arrest a fall
- Manufacturers period of obsolescence (shelf-life) has been reached

Compatibility and use of PPE is the responsibility of the user.

SpanSet can supply other items of equipment that are compatible with this product which includes; EN361 fall-arrest harnesses, a variety of EN362 connectors, work positioning belts, and adjustable safety lines. SpanSet also supplies a full range of fall arrest and access equipment, and training either at site or on our own premises, in all aspects of height safety. Courses are accredited under our registration to BS8454 and ISO 9001, with certificates issued on successful completion.

Although it is not compulsory, for the safety of all users SpanSet recommends you take advantage of this training service, please contact us for further details.

### **SpanSet UK Ltd.**

**Telford Way, Middlewich, Cheshire, CW10 0HX**

**Tel: +44(0)1606 737494**

**[www.spanset.co.uk](http://www.spanset.co.uk)**