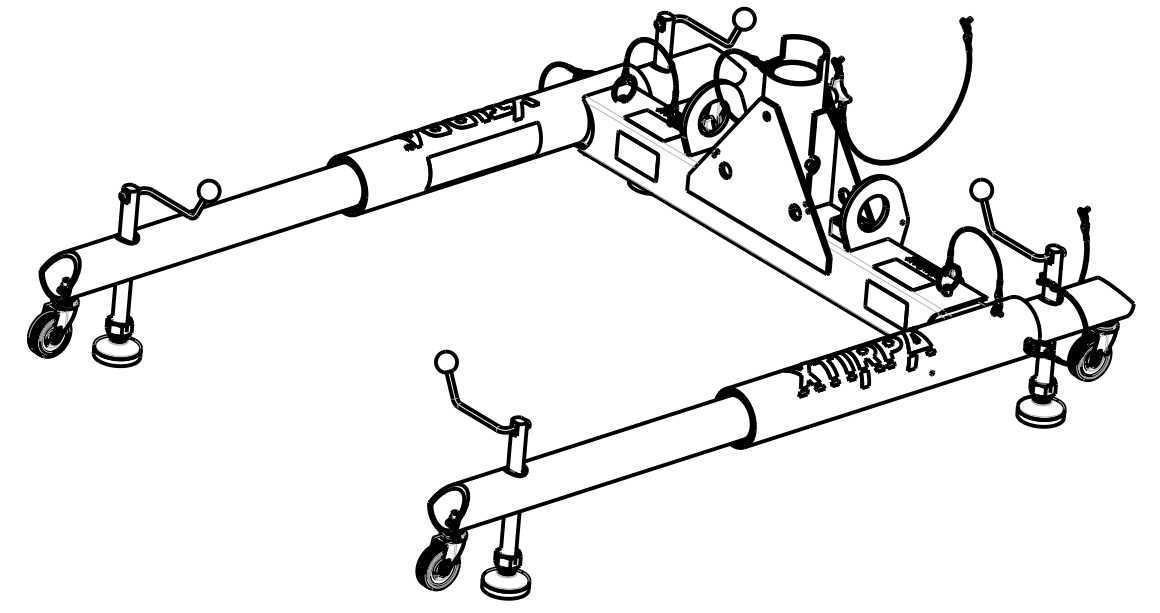
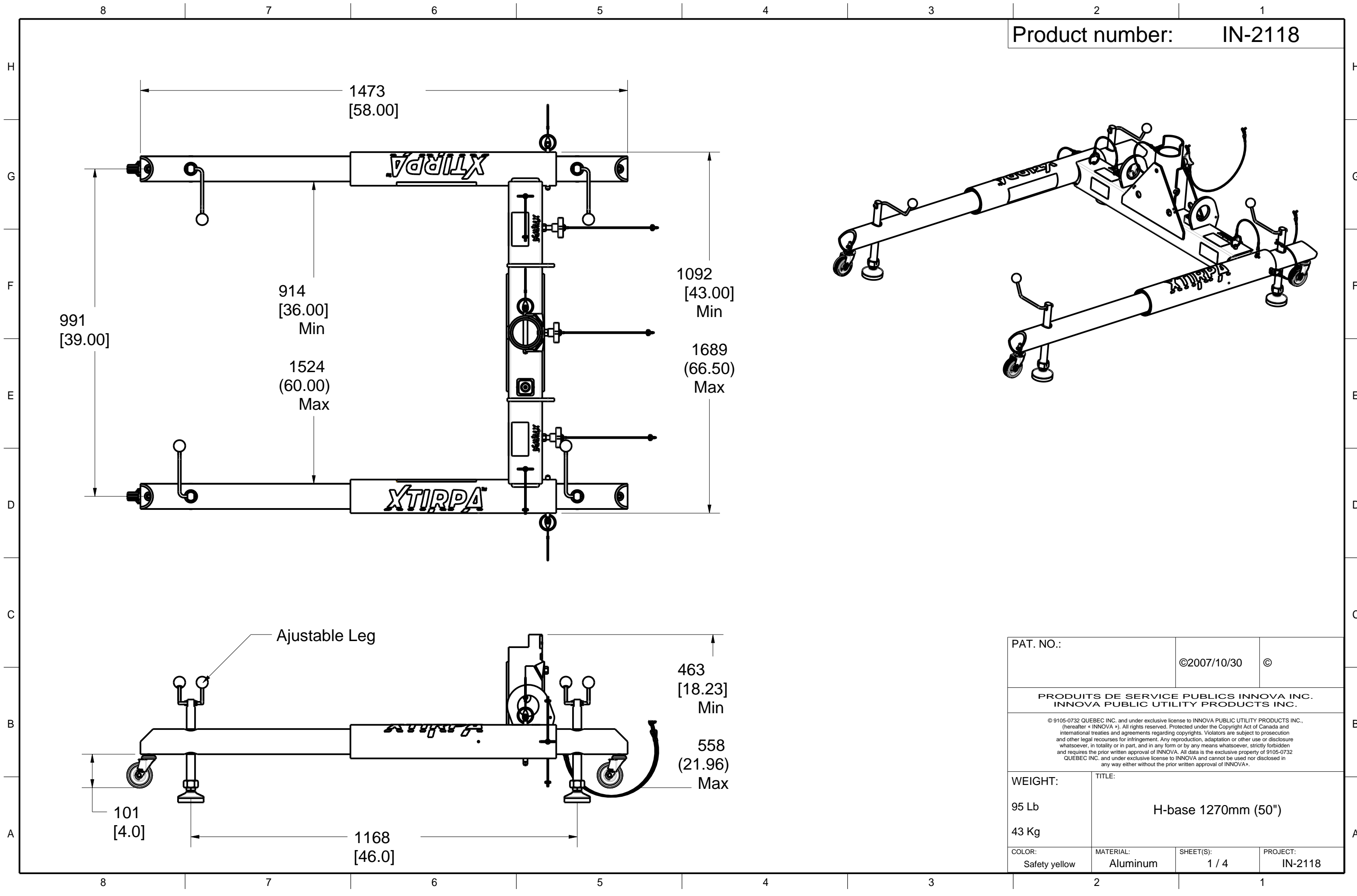
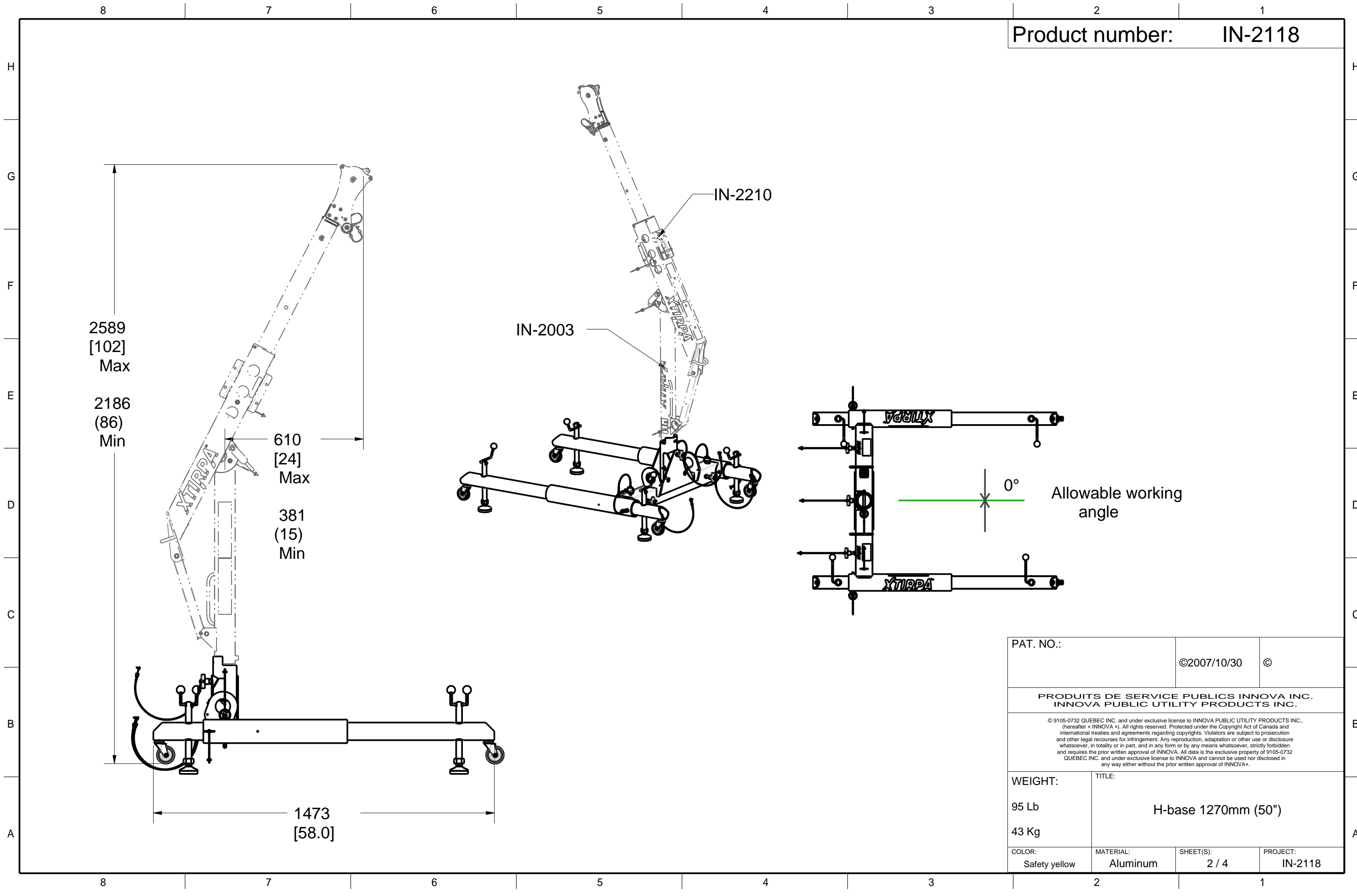


Product number: IN-2118



PAT. NO.:		©2007/10/30	©
PRODUITS DE SERVICE PUBLICS INNOVA INC. INNOVA PUBLIC UTILITY PRODUCTS INC.			
<small>© 9105-0732 QUEBEC INC. and under exclusive license to INNOVA PUBLIC UTILITY PRODUCTS INC., (hereafter « INNOVA »). All rights reserved. Protected under the Copyright Act of Canada and international treaties and agreements regarding copyrights. Violators are subject to prosecution and other legal recourses for infringement. Any reproduction, adaptation or other use or disclosure whatsoever, in totality or in part, and in any form or by any means whatsoever, strictly forbidden and requires the prior written approval of INNOVA. All data is the exclusive property of 9105-0732 QUEBEC INC. and under exclusive license to INNOVA and cannot be used nor disclosed in any way either without the prior written approval of INNOVA.</small>			
WEIGHT:	TITLE:		
95 Lb	H-base 1270mm (50")		
43 Kg			
COLOR:	MATERIAL:	SHEET(S):	PROJECT:
Safety yellow	Aluminum	1 / 4	IN-2118



PAT. NO.:		©2007/10/30	©
<b>PRODUITS DE SERVICE PUBLICS INNOVA INC.</b> <b>INNOVA PUBLIC UTILITY PRODUCTS INC.</b>			
© 9105-0732 QUEBEC INC. and under exclusive license to INNOVA PUBLIC UTILITY PRODUCTS INC., (hereafter « INNOVA »). All rights reserved. Protected under the Copyright Act of Canada and international treaties and agreements regarding copyrights. Violators are subject to prosecution and other legal recourses for infringement. Any reproduction, adaptation or other use or disclosure whatsoever, in totality or in part, and in any form or by any means whatsoever, strictly forbidden and requires the prior written approval of INNOVA. All data is the exclusive property of 9105-0732 QUEBEC INC. and under exclusive license to INNOVA and cannot be used nor disclosed in any way either without the prior written approval of INNOVA.			
WEIGHT:	TITLE:		
95 Lb	H-base 1270mm (50")		
43 Kg			
COLOR:	MATERIAL:	SHEET(S):	PROJECT:
Safety yellow	Aluminum	2 / 4	IN-2118

SPECIFICATIONS

This equipment is considered as part of a personal fall arrest system (PFAS) with a maximum working capacity of 164 Kg (360 lb).

It is only to be used in conjunction with a personal fall arrest system that limits the maximum arrest force (MAF).

Working load (mass) and moment: With mast IN-2003 and Davit Arm IN-2210: 164kg (360lb), 976 N-m (8,640 lbf-in).  
 Max Design Capacity: With mast IN-2003 and Davit Arm IN-2210: 16,014 N (3,600 lbf), 9,762 N-m (86,400 lbf-in).

STANDARDS

Meets the following standards:  
 OSHA Personal fall arrest system - 1910.66 App C  
 ANSI Safety requirements for personal fall arrest system, subsystems and components Z359.1 (R1999) / 2007  
 CAN/CSA Fall arresters, vertical lifelines, and rails Z259.2.1-98  
 CE EN 795: 2012 Type B , When used with IN-2210 Davit arm and IN-2003 mast.

MATERIAL AND CONSTRUCTION

Extensions and Mast Sleeve: Aluminum 6061-T6  
 Anchorage points : Aluminum 6061-T6  
 Extension sliders : PVC pipe  
 Positioning levels and Hardware : Zinc plate Steel, Stainless Steel  
 Positioning pads : Steel zinc plated , Stainless Steel and rubber  
 Finish : Yellow security powder paint with metal protection base.  
 Welding Certification : CSA W47,2M and CSA W47,1

RESTRICTIONS

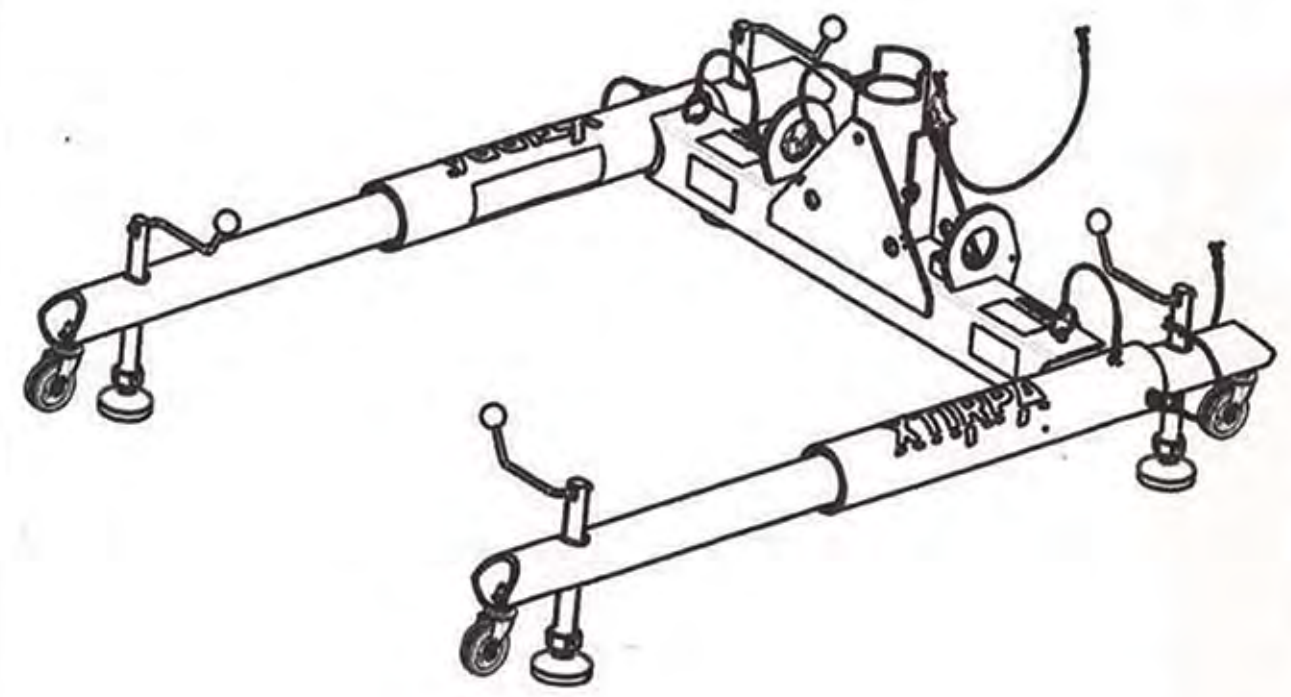
This product is to be used only with products approved by Innova Public Utility Products inc.

IMPORTANT :

The positioning pins must always be in place when manoeuvring personnel.

Periodic inspections of hardware must be done.  
 In the occurrence of a fall or the safety of the equipment is in doubt, equipment must be immediately removed from service and inspected by qualified personnel before reuse.  
 This equipment must always be operated in a level position and supported by it's 4 rubber feet.  
 It is not permitted to use this system while casters are supporting the weight.

Product number: IN-2118



PAT. NO.:		02007/10/30 ©	
PRODUITS DE SERVICE PUBLICS INNOVA INC. INNOVA PUBLIC UTILITY PRODUCTS INC.			
<small>© 9105-9732 QUEBEC INC. and under exclusive license to INNOVA PUBLIC UTILITY PRODUCTS INC., hereafter "INNOVA". All rights reserved. Protected under the Copyright Act of Canada and international treaties and agreements regarding copyrights. Violators are subject to prosecution and other legal resources for infringement. Any reproduction, adaptation or other use or disclosure whatsoever, in totality or in part, and in any form or by any means whatsoever, strictly forbidden and requires the prior written approval of INNOVA. All data is the exclusive property of 9105-9732 QUEBEC INC. and under exclusive license to INNOVA and cannot be used nor disclosed in any way either without the prior written approval of INNOVA.</small>			
WEIGHT:	TITLE:		
95 Lb 43 Kg	H-base 1270mm (50")		
COLOR:	MATERIAL:	SHEET(S):	PROJECT:
Safety yellow	Aluminum	3 / 4	IN-2118

8

7

6

5

4

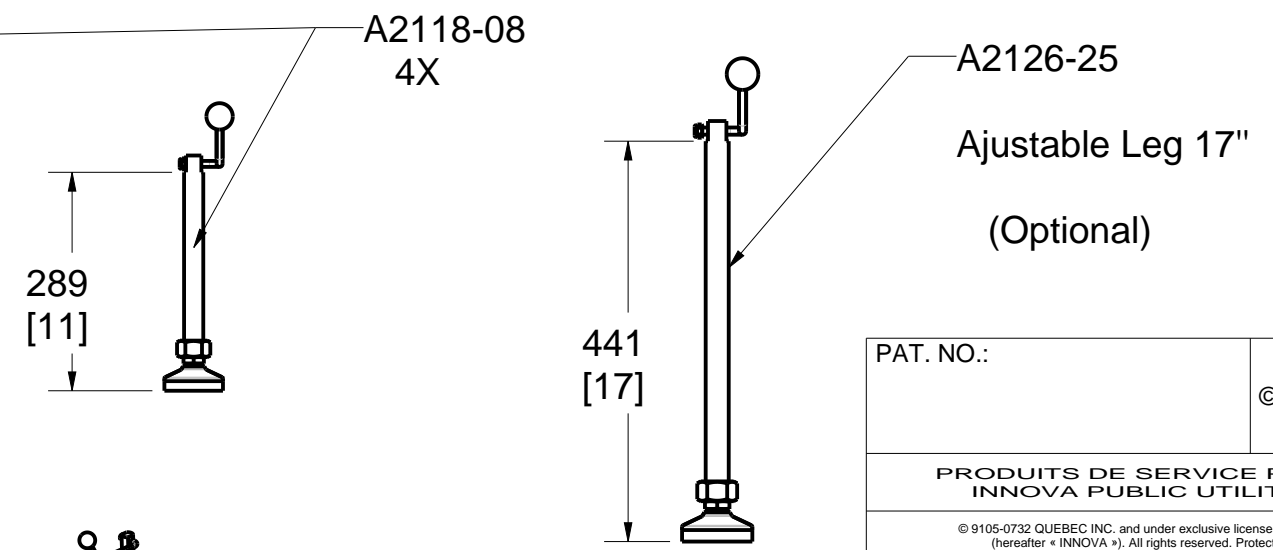
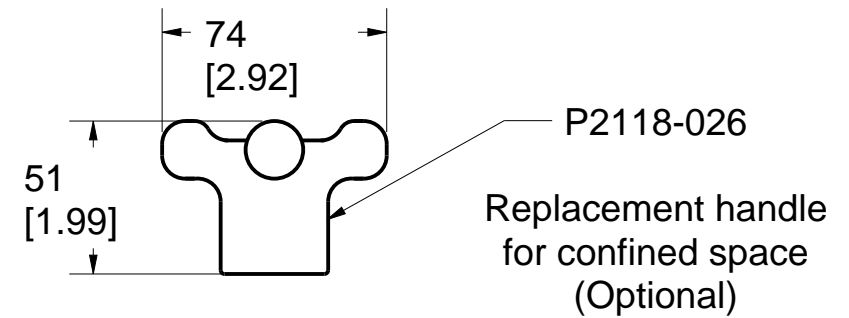
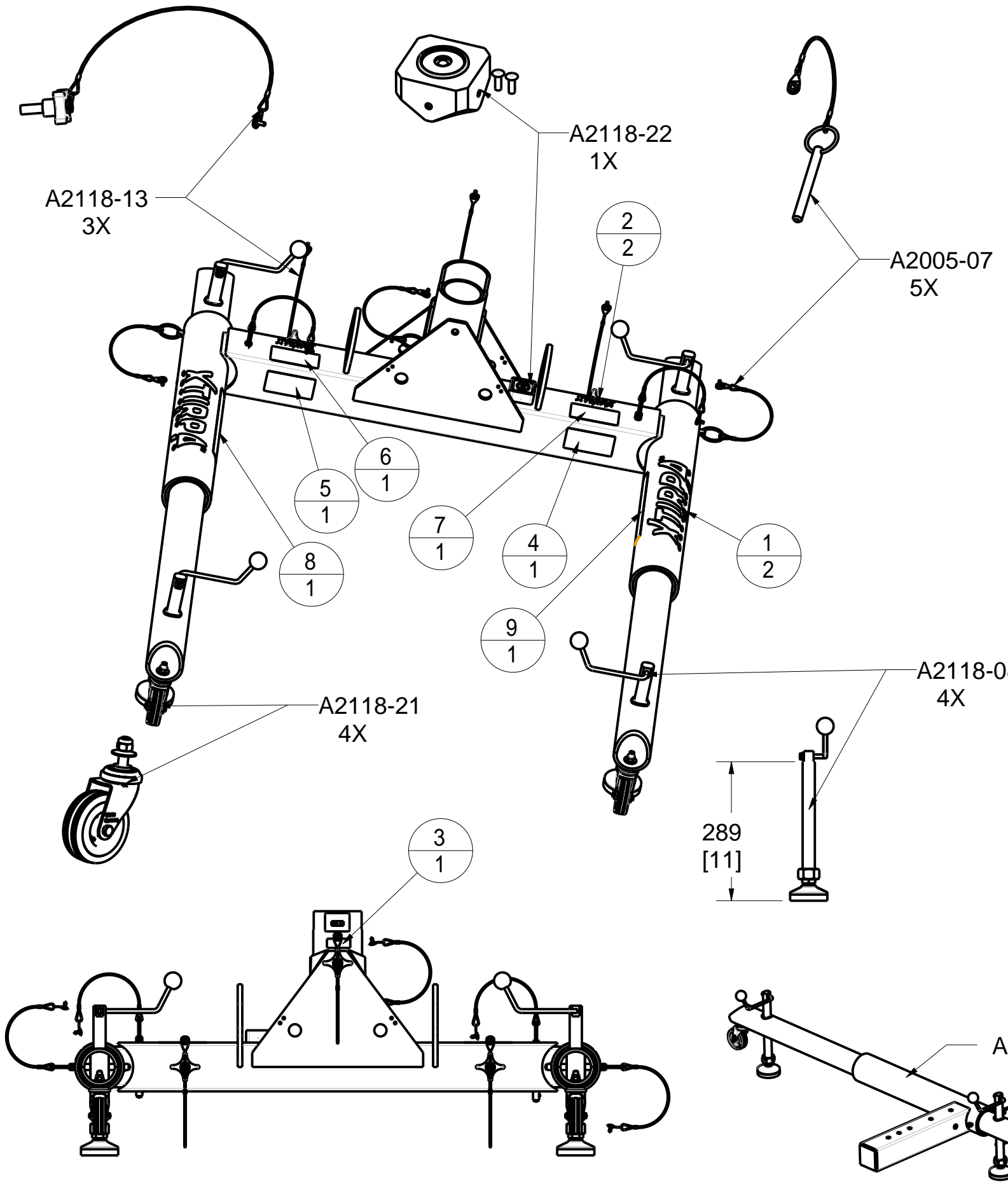
3

2

1

Product number: IN-2118

9	1	S2118-002	RevE	Label Instruction H-base (English)	
8	1	S2118-001	RevE	Label Instruction H-base (French)	
7	1	S2118-007	RevB	Label Warning H-Base (English)	
6	1	S2118-006	RevB	Label Attention H-base (French)	
5	1	S2118-004	RevB	Label Attention French	
4	1	S2118-003	RevB	Label Warning English	
3	1	S2324-004	Rev.A	Security Label CE type B	
2	2	S2001-003	04	XTIRPA Label	
1	2	S2002-003	02	XTIRPA Logo	
IDX	QTE	COMPONENT	REV	DESCRIPTION	MATERIAL



PAT. NO.:		©2007/10/30	©
PRODUITS DE SERVICE PUBLICS INNOVA INC. INNOVA PUBLIC UTILITY PRODUCTS INC.			
<small>© 9105-0732 QUEBEC INC. and under exclusive license to INNOVA PUBLIC UTILITY PRODUCTS INC., (hereafter « INNOVA »). All rights reserved. Protected under the Copyright Act of Canada and international treaties and agreements regarding copyrights. Violators are subject to prosecution and other legal recourses for infringement. Any reproduction, adaptation or other use or disclosure whatsoever, in totality or in part, and in any form or by any means whatsoever, strictly forbidden and requires the prior written approval of INNOVA. All data is the exclusive property of 9105-0732 QUEBEC INC. and under exclusive license to INNOVA and cannot be used nor disclosed in any way either without the prior written approval of INNOVA.</small>			
WEIGHT:	TITLE:		
95 Lb	H-base 1270mm (50")		
43 Kg			
COLOR:	MATERIAL:	SHEET(S):	PROJECT:
Safety yellow	Aluminum	4 / 4	IN-2118

8

7

6

5

4

3

2

1