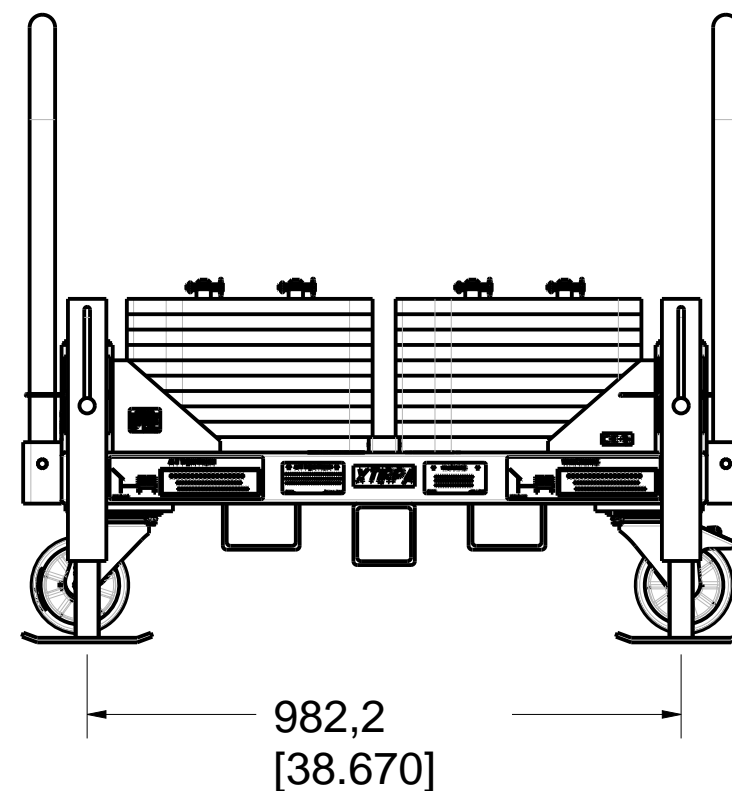
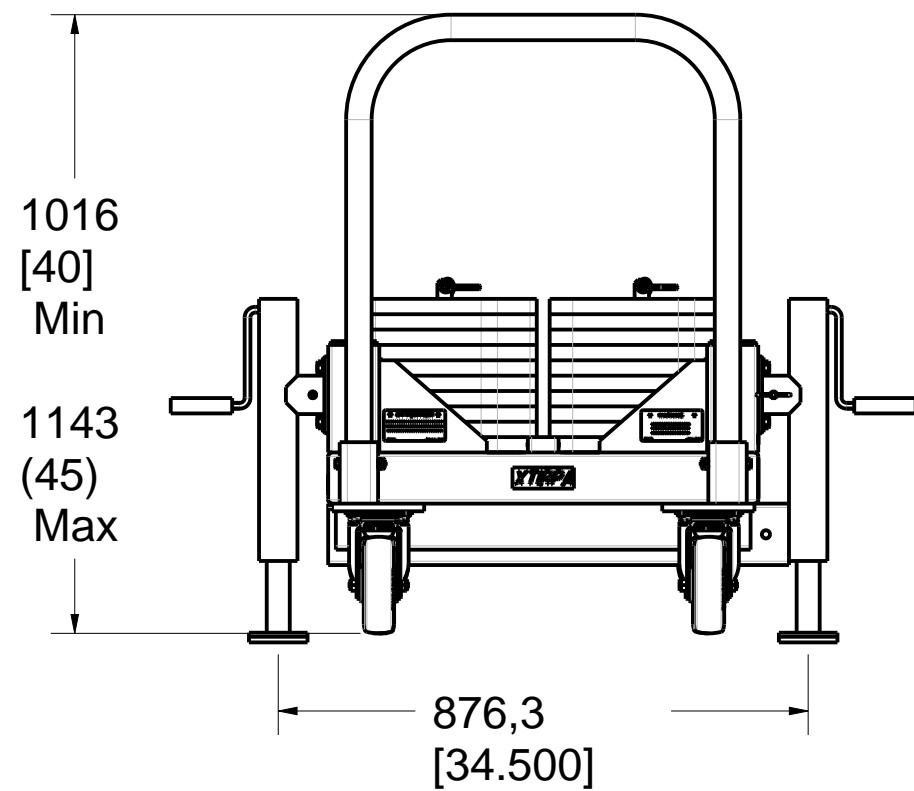
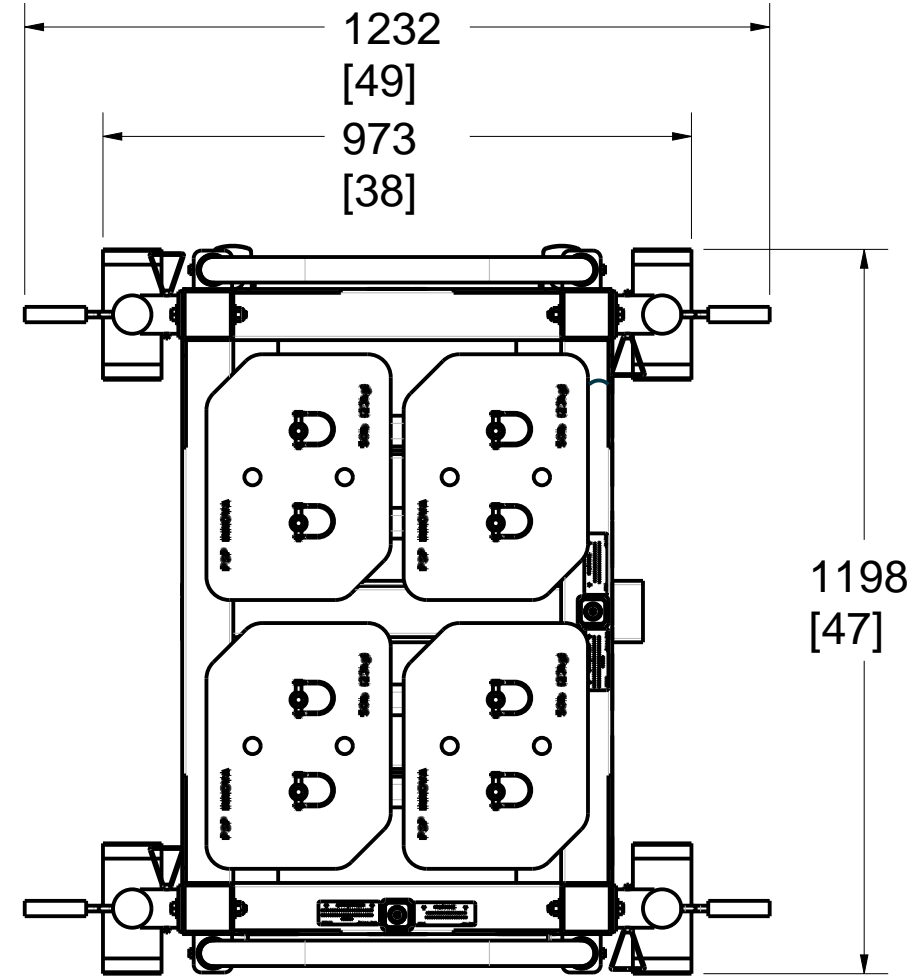


Product number: **A2305-07**

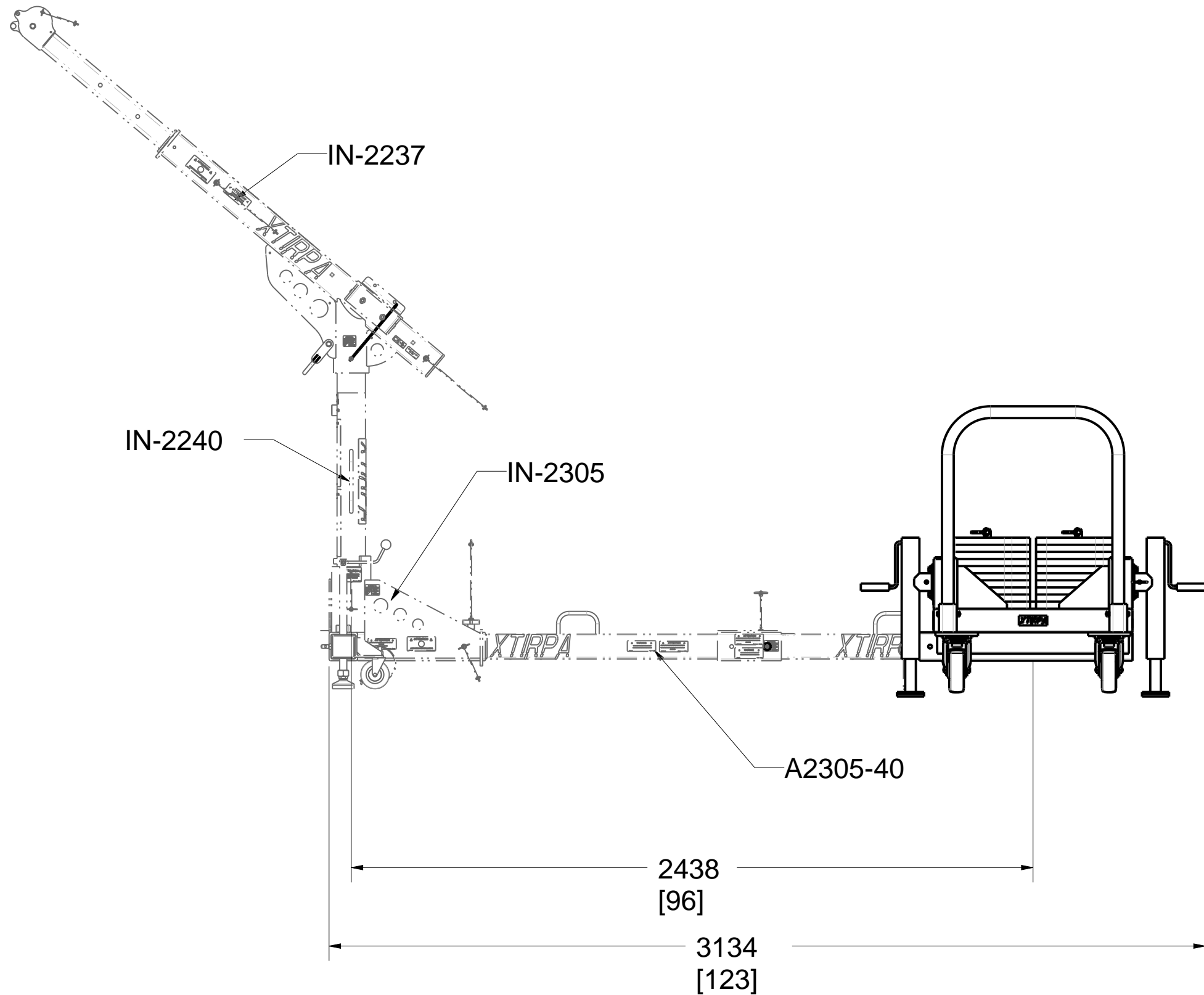


PAT. NO.:		©17/01/2014	©
PRODUITS DE SERVICE PUBLICS INNOVA INC. INNOVA PUBLIC UTILITY PRODUCTS INC.			
<small>© 9105-0732 QUEBEC INC. and under exclusive license to INNOVA PUBLIC UTILITY PRODUCTS INC., (hereafter « INNOVA »). All rights reserved. Protected under the Copyright Act of Canada and international treaties and agreements regarding copyrights. Violators are subject to prosecution and other legal recourses for infringement. Any reproduction, adaptation or other use or disclosure whatsoever, in totality or in part, and in any form or by any means whatsoever, strictly forbidden and requires the prior written approval of INNOVA. All data is the exclusive property of 9105-0732 QUEBEC INC. and under exclusive license to INNOVA and cannot be used nor disclosed in any way either without the prior written approval of INNOVA.</small>			
WEIGHT:	TITLE:		
2260 Lb	Counter weight base (with weights)		
1025 Kg			
COLOR:	MATERIAL:	SHEET(S):	PROJECT:
Yellow security	Aluminum	1 / 4	A2305-07

Product number: A2305-07

Recommendations:

This system is for use on surfaces up to 5 degrees maximum from the horizontal.



PAT. NO.:		©17/01/2014	©
PRODUITS DE SERVICE PUBLICS INNOVA INC. INNOVA PUBLIC UTILITY PRODUCTS INC.			
<small>© 9105-0732 QUEBEC INC. and under exclusive license to INNOVA PUBLIC UTILITY PRODUCTS INC., (hereafter « INNOVA »). All rights reserved. Protected under the Copyright Act of Canada and international treaties and agreements regarding copyrights. Violators are subject to prosecution and other legal recourses for infringement. Any reproduction, adaptation or other use or disclosure whatsoever, in totality or in part, and in any form or by any means whatsoever, strictly forbidden and requires the prior written approval of INNOVA. All data is the exclusive property of 9105-0732 QUEBEC INC. and under exclusive license to INNOVA and cannot be used nor disclosed in any way either without the prior written approval of INNOVA.</small>			
WEIGHT:	TITLE:		
2260 Lb	Counter weight base		
1025 Kg	(with weights)		
COLOR:	MATERIAL:	SHEET(S):	PROJECT:
Yellow security	Aluminum	2 / 4	A2305-07

Product number: A2305-07

SPECIFICATIONS

H This equipment is considered as part of a personal fall arrest system (PFAS) with a maximum working capacity of 164 Kg (360 lb).

It is only to be used in conjunction with a personal fall arrest system that limits the maximum arrest force (MAF).

STANDARDS

Meets the following standards:

- OSHA Personal fall arrest system - 1910.66 App C
- ANSI Safety requirements for personal fall arrest system, subsystems and components Z359.1 (R1999) / 2007
- CAN/CSA Fall arresters, vertical lifelines, and rails Z259.2.1-98
- CE EN 795 (2012) Type E

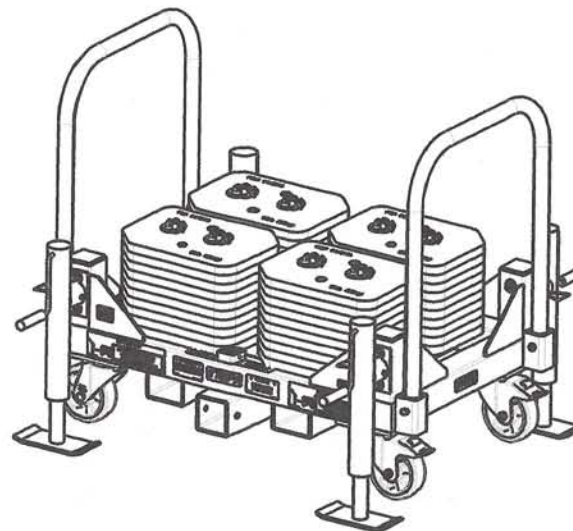
MATERIAL AND CONSTRUCTION

- Structure: Aluminium 6061-T6
- Retaining rod for weight: Steel 44W
- Retaining pin for weight: Stainless steel
- Hardware: Steel zinc plated
- Weights: Steel 44W / black painted mast
- Finish: Yellow security powder paint with metal protection base.
- Welding Certification: CSA W47.2M

RESTRICTIONS

C This product is to be used only with products approved by Innova Public Utility Products inc.

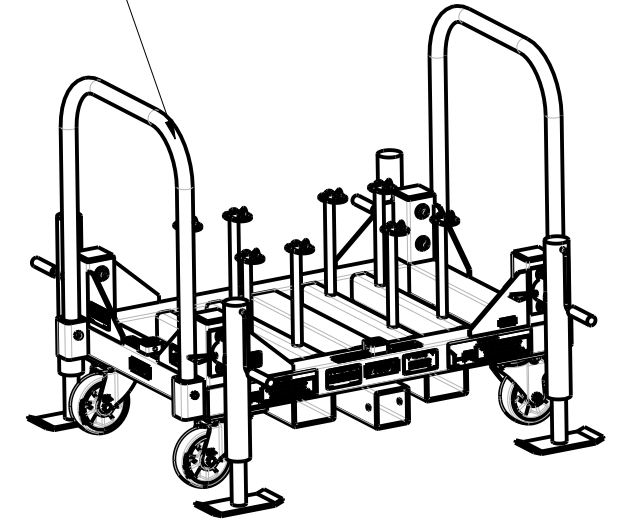
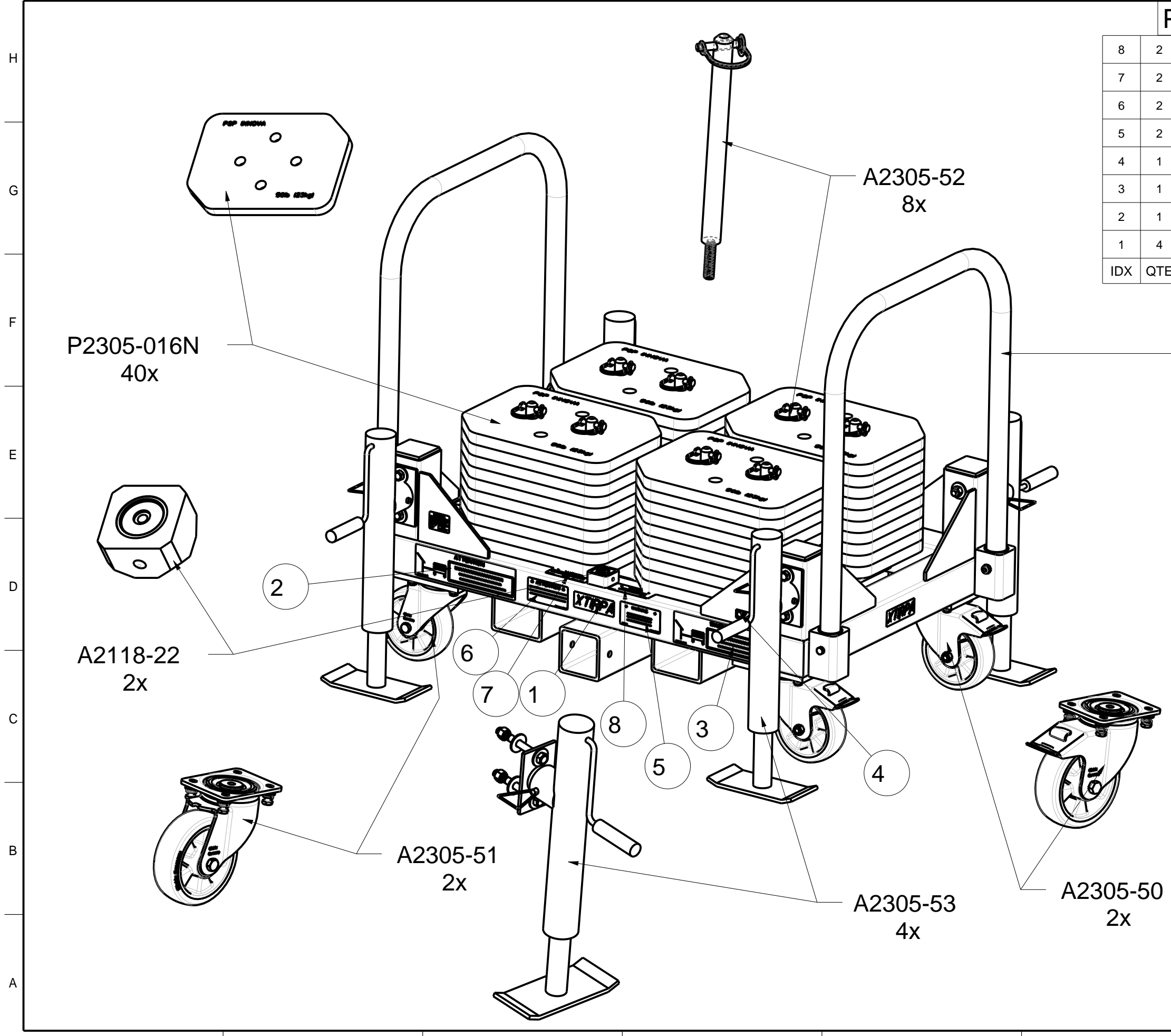
B This equipment must always be operated in a level position $\pm 5^\circ$ from the horizontal and supported by it's 4 levelling pads.
 A It is not permitted to use this system while casters are supporting the weight.



PAT. NO. :		017/01/2014		©
PRODUITS DE SERVICE PUBLICS INNOVA INC. INNOVA PUBLIC UTILITY PRODUCTS INC.				
<small>© 9105-0132 QUEBEC INC. and under exclusive license to INNOVA PUBLIC UTILITY PRODUCTS INC., Chartered in INNOVA INC., all rights reserved. Protected under the Copyright Act of Canada and international treaties and agreements regarding copyrights. Violators are subject to prosecution and other legal resources for infringement. Any reproduction, adaptation or other use or disclosure whatsoever, in totality or in part, and in any form or by any means whatsoever, strictly forbidden and requires the prior written approval of INNOVA. All data is the exclusive property of 9105-0132 QUEBEC INC. and under exclusive license to INNOVA and cannot be used nor disclosed in any way either without the prior written approval of INNOVA.</small>				
WEIGHT:	TITLE:			
2260 Lb	Counter weight base			
1025 Kg	(with weights)			
COLOR:	MATERIAL:	SHEET(S):	PROJECT:	
Yellow security	Aluminum	3 / 4	A2305-07	

Product number: **A2305-07**

8	2	S2126-007	RevB	Label Warning English
7	2	S2126-006	RevB	Label Attention French
6	2	S2118-004	RevB	Label Attention French
5	2	S2118-003	RevB	Label Warning English
4	1	S2305-007	RevA	Security Label CE class B
3	1	S2305-006	RevA	Label Limit of weight "English"
2	1	S2305-005	RevA	Label Limit of weight "French"
1	4	S2001-003	02	Label XTIRPA 1" x 3-1/2"
IDX	QTE	COMPONENT	REV	DESCRIPTION



PAT. NO.:		©17/01/2014	©
PRODUITS DE SERVICE PUBLICS INNOVA INC. INNOVA PUBLIC UTILITY PRODUCTS INC.			
<small>© 9105-0732 QUEBEC INC. and under exclusive license to INNOVA PUBLIC UTILITY PRODUCTS INC., (hereafter « INNOVA »). All rights reserved. Protected under the Copyright Act of Canada and international treaties and agreements regarding copyrights. Violators are subject to prosecution and other legal recourses for infringement. Any reproduction, adaptation or other use or disclosure whatsoever, in totality or in part, and in any form or by any means whatsoever, strictly forbidden and requires the prior written approval of INNOVA. All data is the exclusive property of 9105-0732 QUEBEC INC. and under exclusive license to INNOVA and cannot be used nor disclosed in any way either without the prior written approval of INNOVA.</small>			
WEIGHT:	TITLE:		
2260 Lb	Counter weight base		
1025 Kg	(with weights)		
COLOR:	MATERIAL:	SHEET(S):	PROJECT:
Yellow security	Aluminum	4 / 4	A2305-07